

PRODUCT INFORMATION AND TECHNICAL DATA

291



MODERN | HOUSE | NUMBERS



MODERN | HOUSE | NUMBERS

May 5, 2018
NPS

GENERAL PRODUCT INFORMATION**ALUMINUM AND POWDER COATED NUMBERS, LETTERS AND SYMBOLS, AND PLAQUES**

Aluminum or powder coated house numbers and letters available in the following sizes: 4", 6", 8", 12" and 15". Additional sizes and custom symbols available upon request.

Aluminum or powder coated plaques sizes available in the following sizes: 5", 7" and 10" diameter circle, 8"x8" square, 3x8", 4x11, and 5"x16" rectangle. Additional sizes available upon request. Refer to Visibility Chart for plaque viewing distances.

Aluminum and powder coated house numbers available in six standard typefaces: Palm Springs, SoCal, Backbay, Santa Barbara, Soho and South Beach. Additional fonts available for additional fee.

Aluminum and powder coated plaques available in two standard typefaces: Palm Springs and SoCal. Our four other fonts available upon request, at no charge. Custom fonts available at additional charge.

Aluminum products are finished with a clear sealant to protect them from UV, salt air and other environmental corrosives. Regular cleaning with water and mild soap required to maintain finish.

Powder Coated finish available in the following colors: white, flat black and dark bronze. Additional colors available for large quantities, upon request at additional fee.

All aluminum and powder coated house numbers, letters, symbols and plaques are 3/8" thick.

All aluminum and powder coated house numbers/plaques have 3/16" pre-drilled stud holes (not visible from face of number).

All aluminum and powder coated house numbers/plaques include 3/16" diameter x 2" long steel studs and 3/16" inside diameter x 1/2" long aluminum spacers. If a subtle shadow effect is desired, aluminum standoffs are included to slide over studs.

All aluminum and powder coated house numbers, letters, symbols and plaques include 1/2" aluminum spacers. If a subtle shadow effect is desired, aluminum standoffs are included to slide over studs.

VINYL NUMBERS

1", 2", 3", 4", 6", 8" and 12" for vinyl. Additional sizes available at no additional cost.

Mailbox numbers are made from high quality exterior grade vinyl with an adhesive back. User will remove both front and back layers. Available in silver, black, blue, brass, bronze, copper, green, orange and white. Visit moderhousenumbers.com for examples. Note: Smooth, dry mounting surface required.

CURB STENCILS

Numbers provided on curb stencils are 4" tall. Surrounding vinyl border is 1/2" on all sides. 6" curb height recommended.

Curb stencils are made from high quality exterior grade vinyl with an adhesive back. User will remove both front and back layers. Note: smooth, dry mounting surface required.

SUPPLIES REQUIRED FOR INSTALLATION - NOT INCLUDED

House number/plaque installation: drill, 11/64" drill bit (metal, wood or masonry depending on installation surface), hammer, epoxy (clear, multi-purpose and exterior grade) and masking tape. Also helpful are a rubber mallet, paper towels, ruler and level. Hammer drill for stone and concrete surfaces may be required. See installation tips for more information.

Mailbox vinyl installation: ruler, masking tape and materials to clean mailbox prior to insulation. See attached for additional installation tips. Vinyl products will not stick if surface is cold/frozen, wet, rough, or dirty.

Curb number installation: spray paint, painters paper roll, masking tape, ruler and wire brush/broom/etc. to clean curb prior to insulation. Curb stencil will not stick if curb is cold/frozen, wet, rough or dirty.

PRODUCT DIMENSIONS ALUMINUM AND POWDER COATED LETTERS, NUMBERS, SYMBOLS AND PLAQUES, AND MAILBOX VINYL

*1",2",+ 3" AVAILABLE IN VINYL ONLY

PALM SPRINGS TYPEFACE: NUMBERS

NPS

vinyl-only sizes		number width - aluminum and vinyl							quantity of pre-drilled stud holes				
	*1"	*2"	*3"	4"	6"	8"	12"	15"	4"	6"	8"	12"	15"
0	1.00	2	3	4	6	8	12	15	2	2	2	4	4
1	0.25	0.5	0.88	1.13	1.66	2.25	3.50	4.13	2	2	2	3	3
2	0.75	1.375	2.13	2.88	4.27	5.75	8.50	10.63	2	2	2	4	4
3	0.75	1.5	2.25	2.88	4.40	5.88	8.63	10.75	2	2	2	4	4
4	0.75	1.625	2.38	3.13	4.68	6.25	9.38	11.75	2	2	2	4	4
5	0.75	1.375	2.13	2.63	4.20	5.63	8.38	10.50	2	2	2	4	4
6	0.75	1.5	2.13	2.88	4.32	5.75	8.63	10.75	2	2	2	4	4
7	0.75	1.375	2.13	2.88	4.27	5.75	8.50	10.63	2	2	2	4	4
8	0.75	1.375	2.13	2.88	4.26	5.63	8.50	10.63	2	2	2	4	4
9	0.75	1.5	2.13	2.88	4.32	5.75	8.63	10.75	2	2	2	4	4

QUICKSHIP
ELIGIBLE

QUICKSHIP
ELIGIBLE

>>QUICKSHIP eligible products leave our warehouse in 3 business days. 6", Palm Springs in brushed aluminum and flat black only.

PALM SPRINGS TYPEFACE: UPPERCASE LETTERS

NPS

	vinyl-only sizes		letter width						quantity of pre-drilled stud holes				
	1"	2"	3"	4"	6"	8"	12"	15"	4"	6"	8"	12"	15"
A	0.88	1.88	2.75	3.63	5.50	7.38	11.00	13.75	2	2	3	4	4
B	0.75	1.50	2.25	3.00	4.38	5.88	8.88	11.13	2	2	3	4	4
C	1.00	2.00	3.00	4.00	6.00	8.00	12.00	15.00	2	2	3	4	4
D	0.88	1.63	2.50	3.38	5.00	6.75	10.13	12.63	2	2	3	4	4
E	0.63	1.25	2.00	2.63	3.88	5.25	7.88	9.75	2	2	3	5	5
F	0.63	1.25	1.88	2.63	3.88	5.13	7.75	9.63	2	2	3	4	4
G	1.00	2.00	3.00	4.00	6.00	7.88	11.88	14.88	2	2	3	4	4
H	0.75	1.63	2.38	3.25	4.75	6.38	9.63	12.00	2	2	4	5	5
I	0.13	0.25	0.38	0.38	0.63	0.88	1.25	1.63	2	2	2	3	3
J	0.75	1.50	2.25	2.88	4.38	5.88	8.75	11.00	2	2	2	3	3
K	0.75	1.38	2.13	2.75	4.13	5.50	8.38	10.38	2	2	4	5	5
L	0.63	1.25	1.88	2.38	3.63	4.88	7.25	9.13	2	2	3	3	3
M	1.00	2.00	3.13	4.13	6.13	8.25	12.38	15.50	2	2	4	5	5
N	0.88	1.63	2.50	3.38	5.00	6.63	10.00	12.50	2	2	4	4	4
O	1.00	2.00	3.00	4.00	6.00	8.00	12.00	15.00	2	2	2	4	4
P	0.63	1.38	2.00	2.75	4.13	5.38	8.25	10.13	2	2	3	4	4
Q	1.00	2.00	3.13	4.13	6.13	8.25	12.25	15.38	2	2	3	4	4
R	0.63	1.38	2.00	2.75	4.13	5.38	8.25	10.25	2	2	3	4	4
S	0.75	1.38	2.13	2.88	4.25	5.63	8.50	10.63	2	2	2	3	3
T	0.75	1.50	2.38	3.13	4.63	6.25	9.25	11.63	2	2	2	3	3
U	0.75	1.50	2.25	3.00	4.50	6.13	9.13	11.38	2	2	3	4	4
V	0.88	1.88	2.75	3.63	5.50	7.38	11.00	13.75	2	2	3	3	3
W	1.38	2.75	4.25	5.63	8.38	11.25	16.75	21.00	2	2	4	5	5
X	0.88	1.75	2.75	3.63	5.38	7.25	10.75	13.50	2	2	4	5	5
Y	0.75	1.50	2.25	3.00	4.50	6.00	9.00	11.25	2	2	2	3	3
Z	0.75	1.63	2.38	3.25	4.88	6.38	9.63	12.00	2	2	3	4	4

PALM SPRINGS TYPEFACE: LOWERCASE LETTERS

NPS

	vinyl-only sizes		letter width						quantity of pre-drilled stud holes				
	1"	2"	3"	4"	6"	8"	12"	15"	4"	6"	8"	12"	15"
a	0.50	1.00	1.50	2.00	3.00	4.13	6.13	7.63	2	2	2	3	3
b	0.63	1.25	1.75	2.38	3.63	4.75	7.25	9.00	2	2	3	3	3
c	0.50	1.13	1.63	2.13	3.25	4.25	6.50	8.13	2	2	2	3	3
d	0.63	1.25	1.75	2.38	3.63	4.75	7.25	9.00	2	2	3	3	3
e	0.63	1.25	1.75	2.38	3.63	4.75	7.13	9.00	2	2	2	3	3
f	0.38	0.75	1.25	1.63	2.38	3.13	4.75	6.00	2	2	2	3	3
g	0.63	1.25	1.88	2.38	3.63	4.88	7.25	9.13	2	2	2	4	4
h	0.50	1.00	1.63	2.13	3.13	4.25	6.25	7.88	2	2	3	4	4
i	0.13	0.25	0.38	0.50	0.75	1.13	1.63	2.00	3	3	3	3	3
j	0.38	0.75	1.13	1.63	2.38	3.13	4.75	6.00	3	3	3	4	4
k	0.50	1.00	1.50	2.13	3.13	4.13	6.25	7.75	2	2	3	4	4
l	0.25	0.50	0.88	0.38	0.63	0.88	1.25	1.63	2	2	2	3	3
m	0.88	1.75	2.63	3.50	5.25	7.00	10.50	13.00	2	2	2	4	4
n	0.50	1.00	1.63	2.13	3.13	4.25	6.25	7.88	2	2	2	3	3
o	0.63	1.13	1.75	2.38	3.50	4.63	7.00	8.75	2	2	2	3	3
p	0.63	1.25	1.75	2.38	3.63	4.75	7.25	9.00	2	2	3	3	3
q	0.63	1.25	1.75	2.38	3.63	4.75	7.25	9.00	2	2	3	3	3
r	0.38	0.75	1.00	1.38	2.13	2.75	4.13	5.13	2	2	2	3	3
s	0.50	0.88	1.38	1.75	2.63	3.50	5.25	6.63	2	2	2	3	3
t	0.38	0.75	0.75	1.63	2.38	3.13	3.88	6.00	2	2	2	3	3
u	0.50	1.00	1.00	2.38	3.13	4.25	6.25	7.88	2	2	2	3	3
v	0.63	1.25	1.75	2.38	3.63	4.75	7.13	8.88	2	2	2	3	3
w	0.88	1.75	2.75	3.63	5.38	7.13	10.75	13.50	2	2	2	4	4
x	0.50	1.13	1.63	2.25	3.38	4.50	6.75	8.38	2	2	2	4	4
y	0.63	1.13	2.00	2.25	3.38	4.63	6.88	8.63	2	2	2	3	3
z	0.50	1.00	1.50	2.00	2.88	3.88	5.75	7.38	2	2	2	3	3

SOCAL TYPEFACE: NUMBERS

	vinyl only sizes			number width - aluminum and vinyl					quantity of pre-drilled stud holes				
	*1"	*2"	*3"	4"	6"	8"	12"	15"	4"	6"	8"	12"	15"
0	1	2	3	4	6	8	12	15	2	2	2	4	4
1	0.25	0.25	0.5	0.67	1	1.33	2	2.5	2	2	2	3	3
2	0.5	1	1.59	2.12	3.18	4.24	6.36	7.95	2	2	2	3	4
3	0.5	1	1.54	2.06	3.09	4.12	6.17	7.72	2	2	2	3	3
4	0.5	1	1.52	2.02	3.04	4.05	6.07	7.59	2	2	2	3	3
5	0.5	1	1.48	1.97	2.96	3.94	5.91	7.39	2	2	2	3	3
6	0.75	1.5	2.25	3	4.52	6	9.02	11.27	2	2	2	4	4
7	0.5	0.75	1.18	1.57	2.36	3.15	4.72	5.9	2	2	2	3	3
8	0.75	1.25	2.06	2.75	4.12	5.5	8.25	10.31	2	2	2	3	4
9	0.75	1.5	2.25	3	4.52	6	9.02	11.27	2	2	2	4	4

SOCAL TYPEFACE: UPPERCASE LETTERS

	letter width					quantity of pre-drilled stud holes				
	4"	6"	8"	12"	15"	4"	6"	8"	12"	15"
A	1.51	2.27	3	4.5	5.7	3	3	3		
B	1.79	2.7	3.6	5.4	6.7	2	2	3		
C	1.99	2.99	4	6	7.4	2	3	3		
D	2.29	3.43	4.6	6.9	8.6	2	3	3		
E	1.36	2.02	2.7	4	5.1	2	2	2		
F	1.33	2	2.7	4	5.1	2	2	2		
G	1.99	2.99	4	6	7.5	2	3	3		
H	1.5	2.4	3.1	4.7	5.9	3	2	2		
I	0.3	0.4	0.6	0.9	1.2	2	2	2		
J	0.9	1.3	1.8	2.7	3.3	2	2	2		
K	1.5	2.1	2.8	4.3	5.4	2	3	3		
L	1	1.6	2	3.1	3.9	2	2	2		
M	2.6	3.8	5	7.7	9.5	3	3	3		
N	1.4	2.1	2.9	4.3	5.3	2	2	3		
O	4	6	8	12	15	2	2	2		
P	1.8	2.8	3.7	5.5	6.9	2	3	3		
Q	4	6	8	12	15	2	2	2		
R	1.8	2.8	3.7	5.5	6.9	2	3	3		
S	1.2	1.9	2.4	4	5	2	2	2		
T	1.2	1.8	2.5	3.7	4.6	2	2	2		
U	1.4	2	2.7	4.1	5.1	3	3	2		
V	1.8	2.7	3.8	5.5	7.1	3	3	3		
W	2.9	4.3	5.8	8.7	10.8	3	3	3		
X	1.8	2.7	3.6	5.4	6.7	2	2	3		
Y	1.9	2.9	3.9	5.8	7.3	2	2	3		
Z	1.3	2	2.5	4.1	5.2	2	2	2		

BACKBAY TYPEFACE

	vinyl only sizes		number width - aluminum and vinyl						quantity of pre-drilled stud holes				
	*1"	*2"	*3"	4"	6"	8"	12"	15"	4"	6"	8"	12"	15"
0	0.5	0.75	1.16	1.55	2.32	3.09	4.64	5.8	2	2	2	4	4
1	0.25	0.5	0.71	0.94	1.41	1.88	2.82	3.52	2	2	2	3	3
2	0.5	0.75	1.17	1.56	2.34	3.12	4.67	5.84	2	2	2	3	3
3	0.5	0.75	1.17	1.56	2.34	3.12	4.67	5.84	2	2	2	3	3
4	0.5	1	1.32	1.76	2.65	3.53	5.29	6.62	2	2	2	3	3
5	0.5	0.75	1.16	1.55	2.32	3.09	4.64	5.8	2	2	2	3	3
6	0.5	0.75	1.16	1.55	2.32	3.09	4.64	5.8	2	2	2	3	3
7	0.5	0.75	1.21	1.62	2.44	3.25	4.87	6.09	2	2	2	3	3
8	0.5	0.75	1.16	1.55	2.32	3.09	4.64	5.8	2	2	2	3	3
9	0.5	0.75	1.16	1.55	2.32	3.09	4.64	5.8	2	2	2	3	3

SOHO TYPEFACE

	vinyl only sizes		number width - aluminum and vinyl						quantity of pre-drilled stud holes				
	*1"	*2"	*3"	4"	6"	8"	12"	15"	4"	6"	8"	12"	15"
0	0.75	1.25	1.94	2.58	3.87	5.16	7.74	9.68	2	2	2	4	4
1	0.5	0.75	1.56	1.54	2.31	3.08	4.62	5.78	2	2	2	3	3
2	0.75	1.25	1.92	2.56	3.84	5.13	7.69	9.61	2	2	2	3	5
3	0.75	0.25	1.93	2.57	3.85	5.14	7.71	9.64	2	2	2	4	4
4	0.75	1.25	2.05	2.74	4.11	5.48	8.22	10.27	2	2	2	3	3
5	0.75	1.25	1.97	2.63	3.94	5.25	7.88	9.85	2	2	2	4	3
6	0.75	1.25	1.88	2.51	3.77	5.01	7.52	9.4	2	2	2	4	4
7	0.75	1.25	1.91	2.54	3.82	5.09	7.63	9.54	2	2	2	3	3
8	0.5	1.25	1.82	2.53	3.63	4.85	7.28	9.1	2	2	2	3	4
9	0.5	1.25	1.84	2.46	3.69	4.91	7.37	9.22	2	2	2	4	4

SANTA BARBARA TYPEFACE

	vinyl only sizes		number width - aluminum and vinyl						quantity of pre-drilled stud holes				
	*1"	*2"	*3"	4"	6"	8"	12"	15"	4"	6"	8"	12"	15"
0	1	2	2.84	3.79	5.67	7.6	11.4	14.25	2	2	2	4	4
1	0.25	0.75	1.02	1.37	2.05	2.73	4.1	5.12	2	2	2	3	3
2	0.75	1.75	2.5	3.34	5	6.67	10.01	12.51	3	3	3	4	6
3	1	1.75	2.65	3.7	5.31	7.08	10.61	13.27	3	3	3	4	4
4	1	2	2.82	3.76	5.65	7.54	11.31	14.14	2	2	2	3	5
5	1	1.75	2.7	3.6	5.41	6.74	10.82	13.52	3	3	3	4	4
6	1	1.75	2.69	3.58	5.37	7.16	10.74	13.42	2	2	3	4	6
7	1	1.75	2.67	3.56	5.36	7.15	10.73	13.36	2	3	3	4	5
8	1	1.75	2.69	3.58	5.36	7.2	10.72	13.40	3	3	3	4	6
9	1	1.75	2.69	3.58	5.36	7.15	10.73	13.41	2	2	3	4	6

SOUTH BEACH TYPEFACE








	vinyl only sizes		number width - aluminum and vinyl						quantity of pre-drilled stud holes				
	*1"	*2"	*3"	4"	6"	8"	12"	15"	4"	6"	8"	12"	15"
0	1	1.75	2.75	3.66	5.49	7.32	10.99	13.73	2	2	2	4	4
1	0.25	0.25	0.5	0.67	1	1.33	2	2.5	2	2	2	3	3
2	0.75	1.75	2.46	3.28	4.91	6.55	9.83	12.29	2	2	2	4	4
3	0.75	1.5	2.3	3.08	4.61	6.15	9.23	11.54	2	2	2	4	4
4	1	1.75	2.79	3.72	5.58	7.44	11.17	13.96	3	3	3	3	4
5	0.75	1.75	2.51	3.35	5.02	6.69	10.04	12.54	2	2	2	4	5
6	0.75	1.75	2.55	3.4	5.11	6.81	10.22	12.77	2	2	2	4	4
7	0.75	1.75	2.54	3.38	5.08	6.77	10.15	12.69	2	2	2	4	4
8	1	1.75	2.74	3.64	5.48	7.3	10.95	13.69	2	2	2	4	4
9	0.75	1.75	2.59	3.45	5.17	6.9	10.35	12.93	2	2	2	4	4

PLAQUES

availability	size	shape	quantity of pre-drilled stud holes		character height	average visibility distance	
STANDARD SIZE	5"	circle (diameter)	5" round	4	2"	15'-20'	varies by finish/install location
STANDARD SIZE	7"	circle (diameter)	7" round	4	3"	20'-25'	varies by finish/install location
STANDARD SIZE	10"	circle (diameter)	10" round	4	2"-4"	15'-30'	varies by finish/character count
STANDARD SIZE	8"x8"	square	8"x8" square	4	3"-4"	20'-25'	varies by finish/character count
CUSTOM SIZE	5"x5"	square	5"x5" square	4		15'	varies by finish/install location
CUSTOM SIZE	6"x6"	square	6"x6" square	4		15'	varies by finish/install location
CUSTOM SIZE	3"x5"	rectangle	3"x5" rectangle	4		15'	varies by finish/install location
STANDARD SIZE	3"x8"	rectangle	3"x8" rectangle	4	2"	15'-20'	varies by finish/install location
CUSTOM SIZE	4x6"	rectangle	4"x6" rectangle	4		15'	varies by finish/install location
STANDARD SIZE	4x11"	rectangle	4"x11" rectangle	4	2.5"	20'	varies by finish/install location
STANDARD SIZE	5"x16"	rectangle	5"x16" rectangle	6	3.5	25'	varies by finish/install location
CUSTOM SIZE	6"x18"	rectangle	6"x18" rectangle	6		25'	varies by finish/install location
CUSTOM SIZE	8"x15"	rectangle	8"x15" rectangle	6		30'	varies by finish/install location

PLAQUES : AVERAGE VIEWING DISTANCES

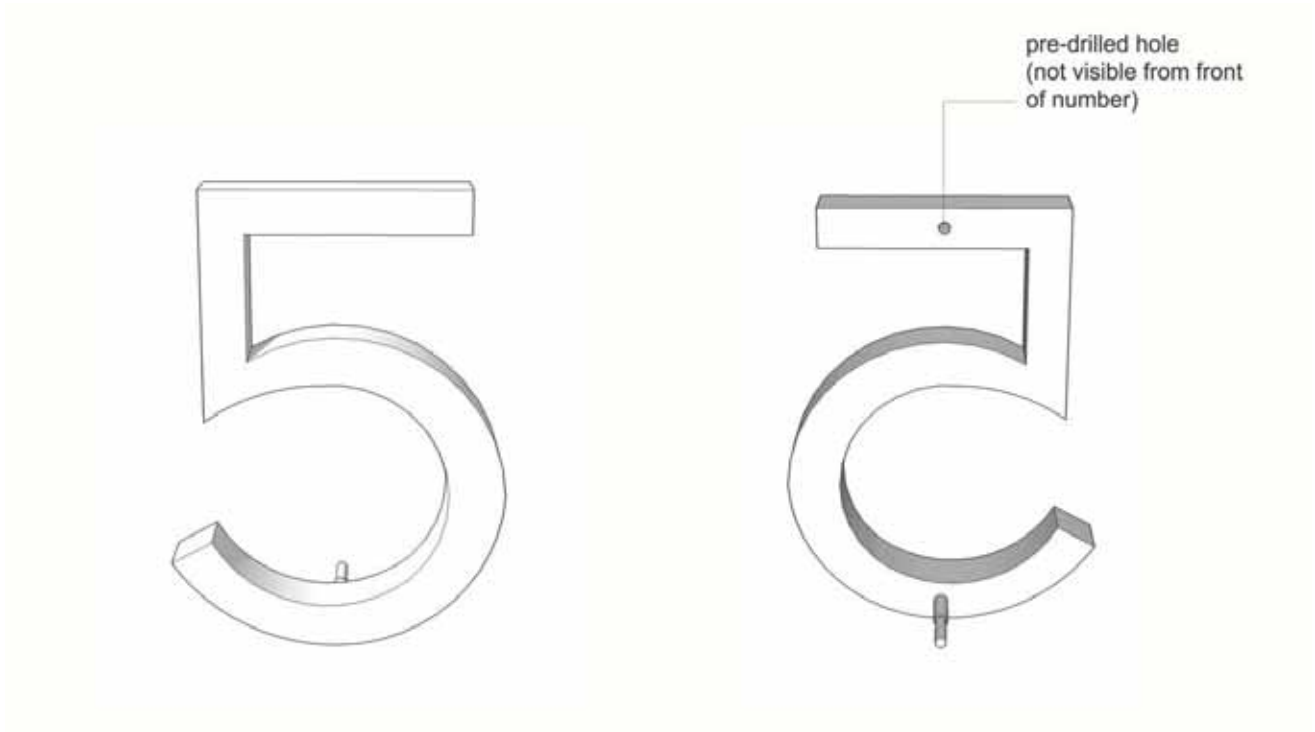
Plaques are best viewed at close range.
 Recommended installation location for plaques is near building or landscape lighting for increased visibility. Dark powder coated finishes may have reduced legibility.
 Plaque legibility varies by font, character count, and installation location and surface.

	size	avg. text size <small>*varies by character count</small>	shape	avg. viewing distance <small>*varies by character count</small>
petite plaques legible at close range only	5" round	2"-3"*		15' - 20'
	3" x 8" rectangle	2"		15' - 20'
small plaques legible at close range only	7" round	2"-3"*		15' - 25'
	4" x 11" rectangle	2"-3"*		15' - 25'
medium plaques legible at 30' or less	8" x 8" square	2"-4"*		15' - 30'
	10" round	2"-4"*		15' - 30'
	5" x 16" rectangle	3"-4"*		20' - 30'

NOT TO SCALE. FOR REFERENCE ONLY

updated 6/13/18

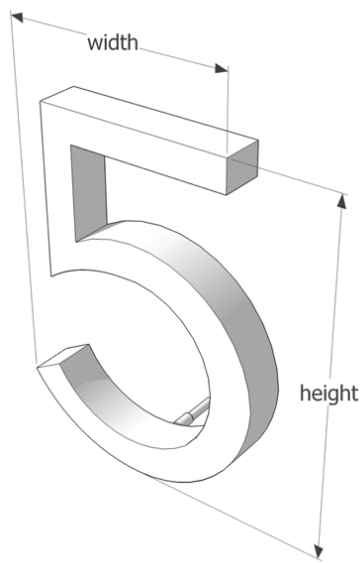
TYPICAL 4" ALUMINUM HOUSE NUMBER



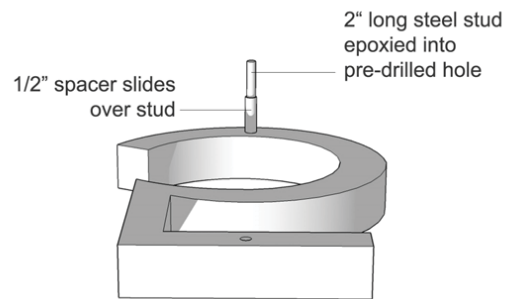
FRONT VIEW

BACK VIEW

TYPICAL 4" ALUMINUM HOUSE NUMBER

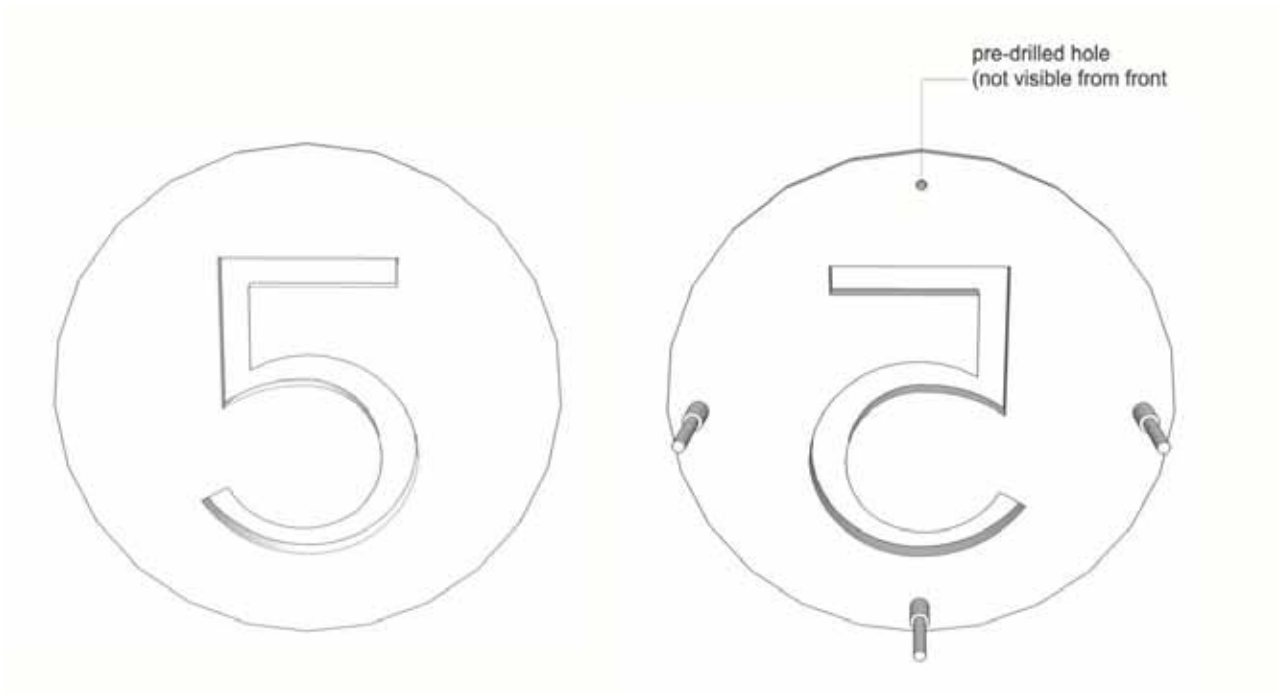


TOP VIEW



PERSPECTIVE VIEW

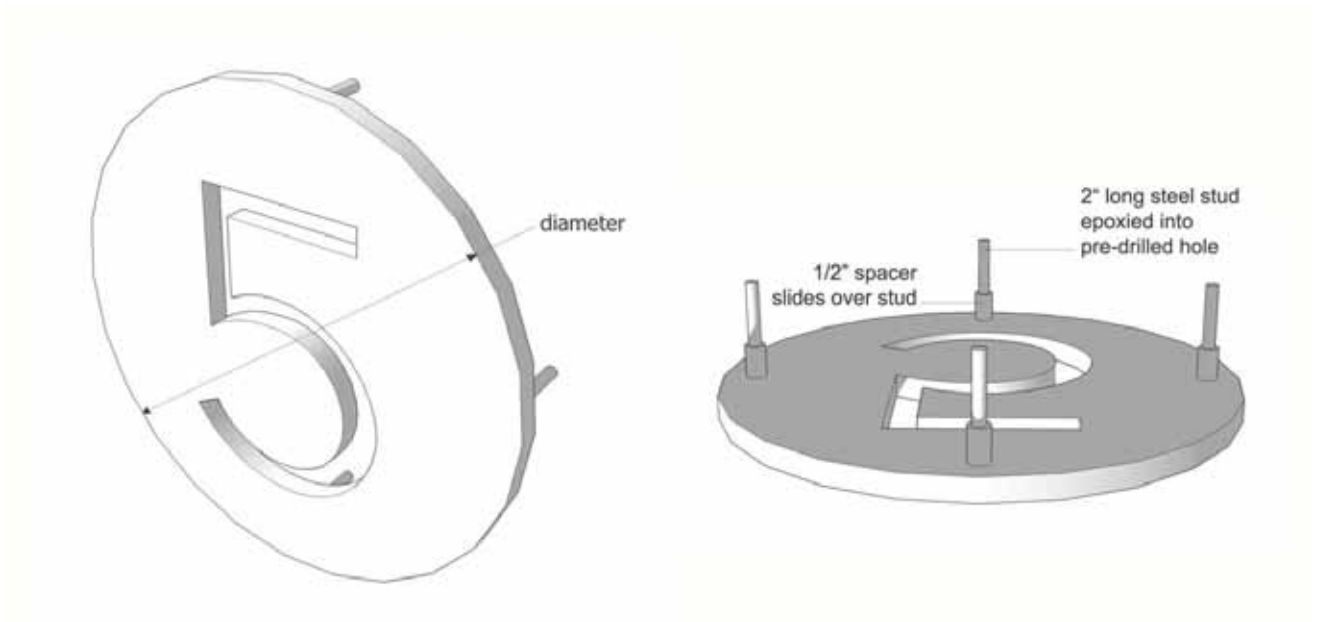
TYPICAL ALUMINUM PLAQUE - ROUND



FRONT VIEW

BACK VIEW

TYPICAL ALUMINUM PLAQUE - ROUND



PERSPECTIVE VIEW

TOP VIEW - BACK SIDE

PALM SPRINGS TYPEFACE

0123456789

ABCDEFGHIJKLMNOPQRSTUVWXYZ

abcdefghijklmnopqrstuvwxyz

0123456789

example of plaque stenciling

SOCAL TYPEFACE

0123456789

A B C D E F G H I J K L M N O P Q R S T U V W X Y Z

no lowercase alphabet in this typeface

0123456789 example of plaque stenciling

SOHO TYPEFACE

0 1 2 3 4 5 6 7 8 9

ABCDEFGHIJKLMNOPQRSTUVWXYZ

abcdefghijklmnopqrstuvwxyz

SOUTH BEACH TYPEFACE

0123456789

ABCDEFGHIJKLMNOPQRSTUVWXYZ

abcdefghijklmnopqrstuvwxyz

SANTA BARBARA TYPEFACE

0 1 2 3 4 5 6 7 8 9

ABCDEFGHIJKLMNOPQRSTUVWXYZ

abcdefghijklmnopqrstuvwxyz

BACKBAY TYPEFACE

0123456789

ABCDEFGHIJKLMNOPQRSTUVWXYZ

abcdefghijklmnopqrstuvwxyz

EXAMPLES OF CUSTOM HOUSE NUMBERS, LETTERS AND SYMBOLS AND PLAQUES

HOUSE NUMBERS WITH CUSTOM SYMBOL
 '1/2' symbol in SoCal typeface.



HOUSE NUMBERS IN CUSTOM TYPEFACE
 Aluminum house numbers in custom font. Any custom font can be finished in white, black or dark bronze powder coat.

CUSTOM INTERIOR SIGNAGE
 Custom plaque with corporate logo using custom font. Plaque shapes and fonts can be fully customized to your specifications.



CONNECTED HOUSE NUMBERS
 Connected/continuous aluminum house numbers in Palm Springs typeface. Connected numbers can be done vertically or horizontally.

CUSTOM ADDRESS PLAQUE WITH CORPORATE LOGO
 Square plaque with custom corporate logo and numbers in SoCal typeface.



ADDRESS PLAQUE WITH CUSTOM SYMBOLS
 Rectangular plaque with custom arrow and '1/2' symbols in Palm Springs typeface.

CUSTOM LOGO PLAQUE
 Round plaque with customer corporate graphic. All plaques can be finished in white, black or dark bronze powder coat.



CUSTOM PLAQUE WITH CUSTOM CUTOUTS
 Square doorbell plaque with custom holes and Palm Springs typeface.

INSTALLATION TIPS: ALUMINUM AND POWDER COATED HOUSE NUMBERS, LETTERS AND SYMBOLS AND PLAQUES

STEP 1

Gather supplies - house numbers, stencil, studs, spacers, (tape, adhesive, hammer, rubber mallet, drill and drill bit - not provided).



STEP 4

Push stud into pre-drilled hole on the back of the number. Light tapping with a hammer may be required. Place on soft surface and take care not to scratch the face of the number.

STEP 2

Tape stencil at desired location, use level to align template. Drill holes according to template - use 11/64" drill bit (3/16" for masonry or rock).



STEP 5

Slide spacer over stud and apply epoxy to the end of the exposed stud.

STEP 3

Apply epoxy to one end of the stud.



STEP 6

Push number into holes, light tapping with a rubber mallet may be required.

INSTALLATION TIPS: MAILBOX NUMBERS

STEP 1
Gather supplies - mailbox numbers, (tape, and ruler - not provided).



STEP 3
Peel off the number backing and align with tape, press numbers firmly onto mailbox.

STEP 2
Clean off the mailbox surface, measure the desired number location, and place a piece of tape to align the bottom of the numbers.



STEP 4
Remove the front transfer film and tape.

INSTALLATION TIPS: CURB NUMBERS

STEP 1
Gather supplies - curb stencil
(spray paint, paper roll, and
masking tape - not provided).



STEP 2
Clean concrete surface of loose
debris and press stencil firmly
onto concrete at desired loca-
tion. Remove front transfer film
and tape edges.



STEP 3
Paint stencil (be careful not to
overspray).



STEP 4
Allow paint to dry and remove
stencil.

LEED™ FACT SHEET: ALUMINUM



LEED™ Fact Sheet
Aluminum Sheet & Plate
for the Building & Construction Market

(LEED™ is Leadership in Energy & Environmental Design. The LEED Green Building Rating System™, as promulgated by the U.S. Green Building Council, aims to improve occupant well-being, environmental performance and economic returns of buildings using established and innovative practices, standards and technologies.)

RECYCLED CONTENT

A survey of aluminum producers in mid-2008 indicated that the total recycled content of domestically produced, flat rolled products for the Building and Construction market was approximately 85%. The survey of the producers also indicated that on average ~60% of the total product content is from post-consumer sources. While these numbers represent the industry average, higher post-consumer and total recycled content material may be available from individual producers. For information on the LEED™ program and to find out how you can earn credit for the recycled content of your aluminum products go to: http://www.usgbc.org/leed/leed_main.asp.

RECYCLABILITY

Not only does the aluminum used in the building and construction industry contain a high percentage of both post-consumer and post-industrial recycled content, at the end of its long, useful life in your building application it is **100% recyclable**. Aluminum building components can be repeatedly recycled back into similar products with no loss of quality, and aluminum in its various forms provides the most valuable component for most municipal recycling efforts.

To produce **aluminum from recycled material requires only ~5% of the energy** required to produce aluminum from bauxite ore, and every ton of recycled aluminum saves 4 tons of bauxite. Additionally, using recycled aluminum instead of raw materials reduces air pollution generation such as CO₂, SO_x, and NO_x by 95% and water pollution by 97%.

For additional information on aluminum products for the building and construction industry, please contact your local supplier.