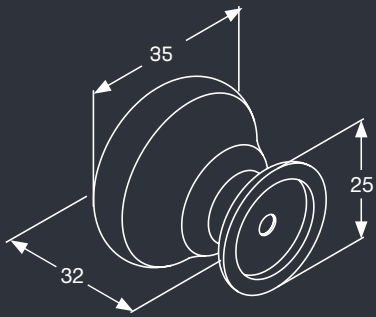
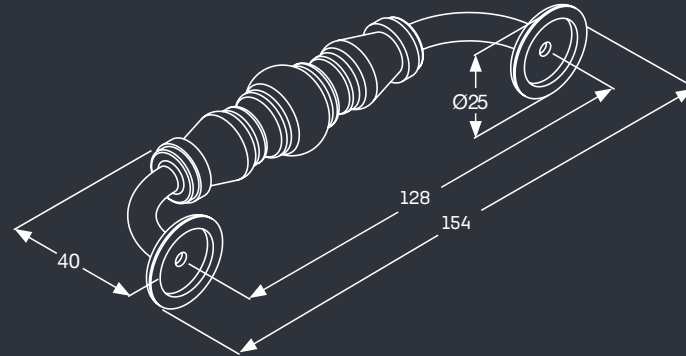


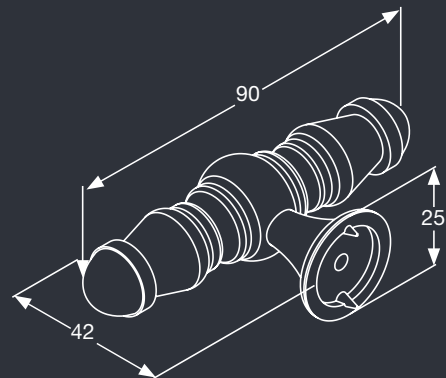
Trianon Knob



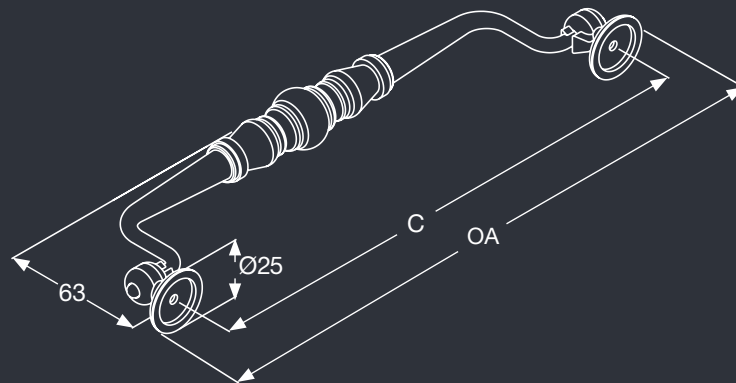
Trianon D Handle



Trianon T Knob



Trianon Swivel Bail



touch

H A N D L E S

Trianon Collection

- Material: Porcelain & Zinc Alloy
- Finish: Cream Crackle & Antique Brass (CRCRAB), White & Brushed Nickel (WHBRN), White Crackle & Pewter (WHCRPW)

Part No.	Finish	C mm	OA mm
TCM3620	CRCRAB	-	35
TCM3621	CRCRAB	-	90
TCM3622	CRCRAB	128	154
TCM3623.224	CRCRAB	224	245

the finishing touch