

touch

H A N D L E S

Block Timber Handles

- Hand-Made in Macedon Ranges, Australia
- Suitable for hinged/sliding doors, and drawers. Ideal for pantry doors. Suitable for use as an appliance pull.
- Timber may vary in grain & colour
- Read installation guide before installing timber handles
- Finish: Ebony Stained American Oak (EAMOAK), Walnut Stained American Oak (WAMOAK), Clear Coated American Oak (CAMOAK), Raw American Oak (AMOAK)

	Part No.	Finish	OA	HC
A	TBH32	See above for finishes	75	32
B	TBH160	See above for finishes	200	160
C	TBH256	See above for finishes	300	256
D	TBH320	See above for finishes	400	320
E	TBH480	See above for finishes	600	480



Ebony American Oak (EAMOAK)



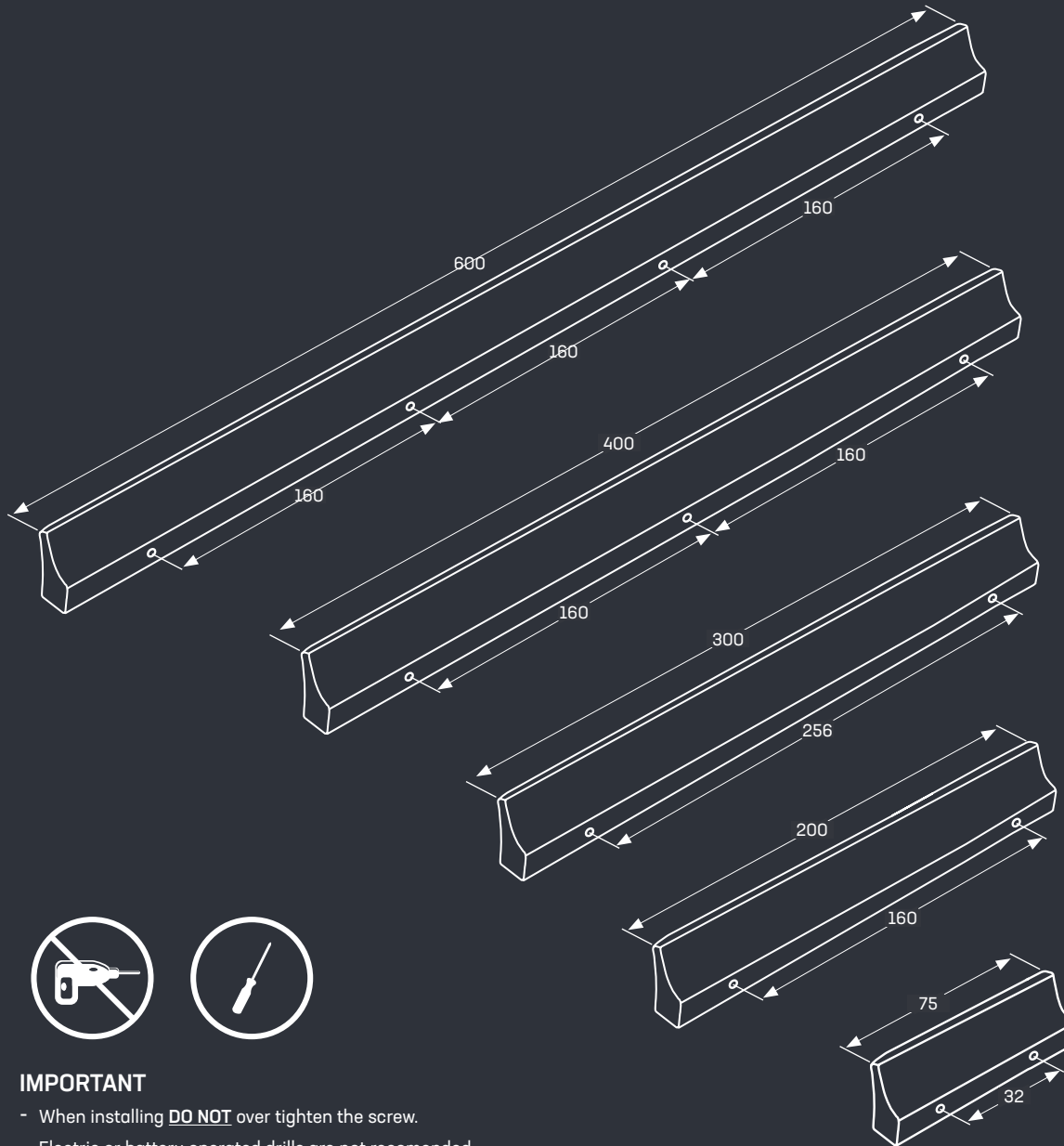
Walnut American Oak (WAMOAK)



Clear American Oak (CAMOAK)



Raw American Oak (AMOAK)



IMPORTANT

- When installing **DO NOT** over tighten the screw.
- Electric or battery operated drills are not recommended when installing handles.

the finishing touch

1300 121 800 | www.touchhandles.com.au