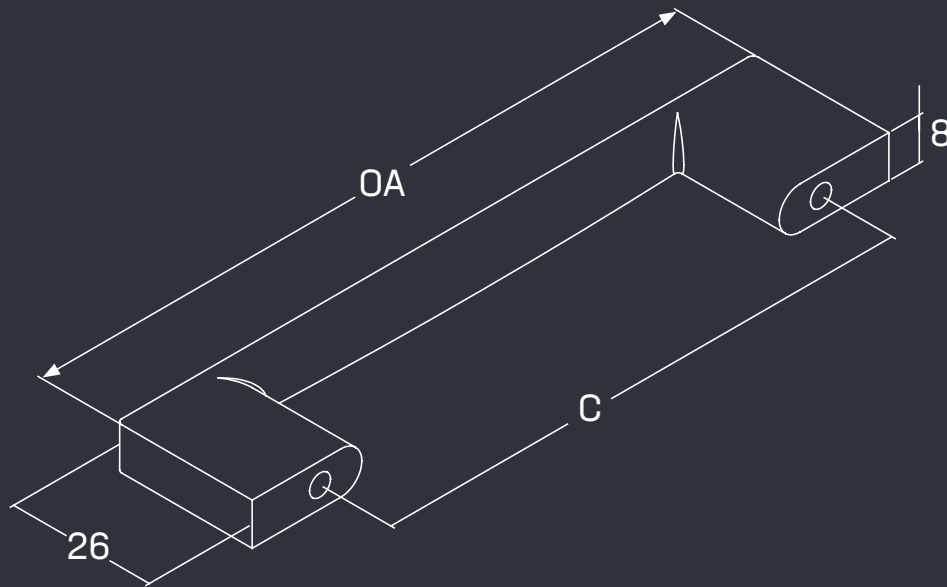


touch

H A N D L E S



## Livorno D Handle

- Material: Zinc Alloy
- Finish: Matt Black (MBL), Dull Brushed Nickel (DBR), Satin Chrome (SC), Matt White (MWH), Brushed Brass (BRB), Brushed Gunmetal (BGM)

Part No.	Finish	C mm	OA mm
M3163.96	MBL, DBR, SC, MWH, BRB	96	129
M3163.128	MBL, DBR, SC, MWH, BRB, BGM	128	161
M3163.160	MBL, DBR, SC, MWH, BRB, BGM	160	193
M3163.192	MBL, DBR, SC, MWH, BRB, BGM	192	225
M3163.256	MBL, DBR, SC, MWH, BRB, BGM	256	289
M3163.320	MBL, DBR, SC, MWH, BRB	320	353

the finishing touch

1300 121 800 | [www.touchhandles.com.au](http://www.touchhandles.com.au)