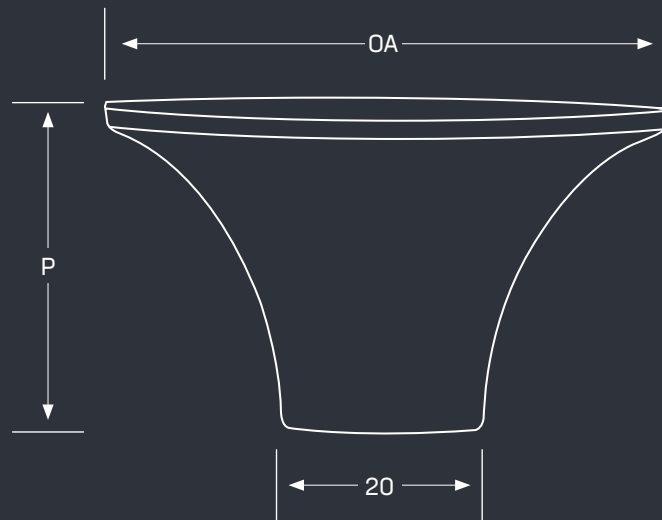


touch

H A N D L E S

Leo Timber Handles

- Made in Australia
- Material: Victorian Ash, America Oak, Blackbutt, Burnt Ash
- Ideal for matching with our Timber Semi & Full Round ranges
- M4 Fixing - not supplied with handle screws
- Supplied Raw - Ready for sealing, painting or staining
- Finish: Raw Burnt Ash (BTASH), Spotted Gum (SPGUM), Raw America Oak (AMOAK), Raw Blackbutt (BB), Raw Victorian Ash (VICASH)



Part No.	Finish	P	OA
LEO40	BTASH, SPGUM, AMOAK, BB, VICASH	26	40
LEO60	BTASH, SPGUM, AMOAK, BB, VICASH	32	60



Raw Burnt Ash
Timber (BTASH)



Spotted Gum
(SPGUM)



Raw American
Oak (AMOAK)



Blackbutt (BB)



Victorian Ash
(VICASH)

the finishing touch

1300 121 800 | www.touchhandles.com.au