

touch

H A N D L E S

Hyde Collection

- Made in Australia
- Leather Thickness: 3.8-4.0mm
- Fully hand burnished edges to last a lifetime
- Material: Full Grain Australian Leather
- Supplied with 12mm M6 demon bolts for fixing - suits 16-18mm
- Finish: Matt Black (MBL), White (WH)
- Leather: Chocolate (CHOC), Black (BL), Tan (TAN)

Part No.	Finish	C mm	OA mm
A HYDE065.CHOC	WH, MBL	-	65
A HYDE065.BL	WH, MBL	-	65
A HYDE065.TAN	WH, MBL	-	65
B HYDE160.CHOC	WH, MBL	160	185
B HYDE160.BL	WH, MBL	160	185
B HYDE160.TAN	WH, MBL	160	185



Chocolate (CHOC)
Leather

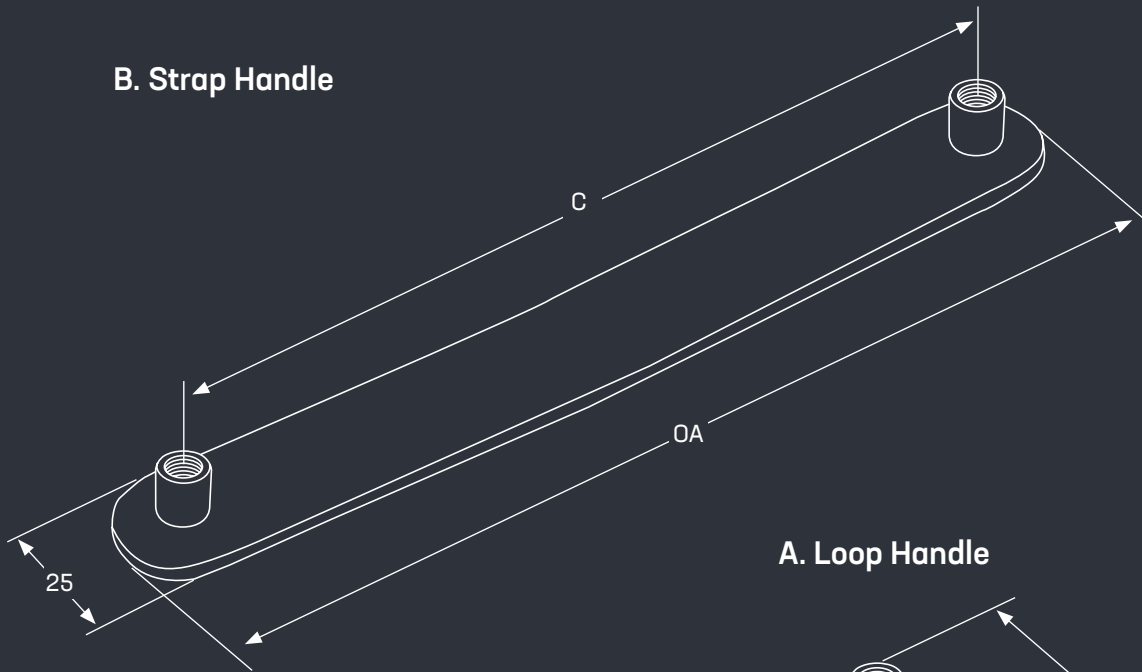


Black (BL)
Leather

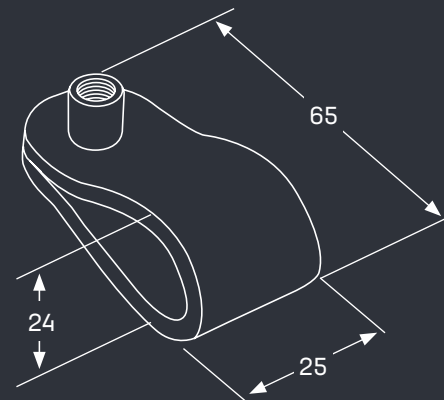


Tan (TAN)
Leather

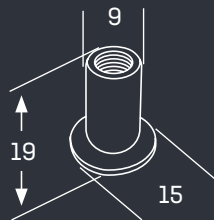
B. Strap Handle



A. Loop Handle



Fixing Cap



the finishing touch

1300 121 800 | www.touchhandles.com.au