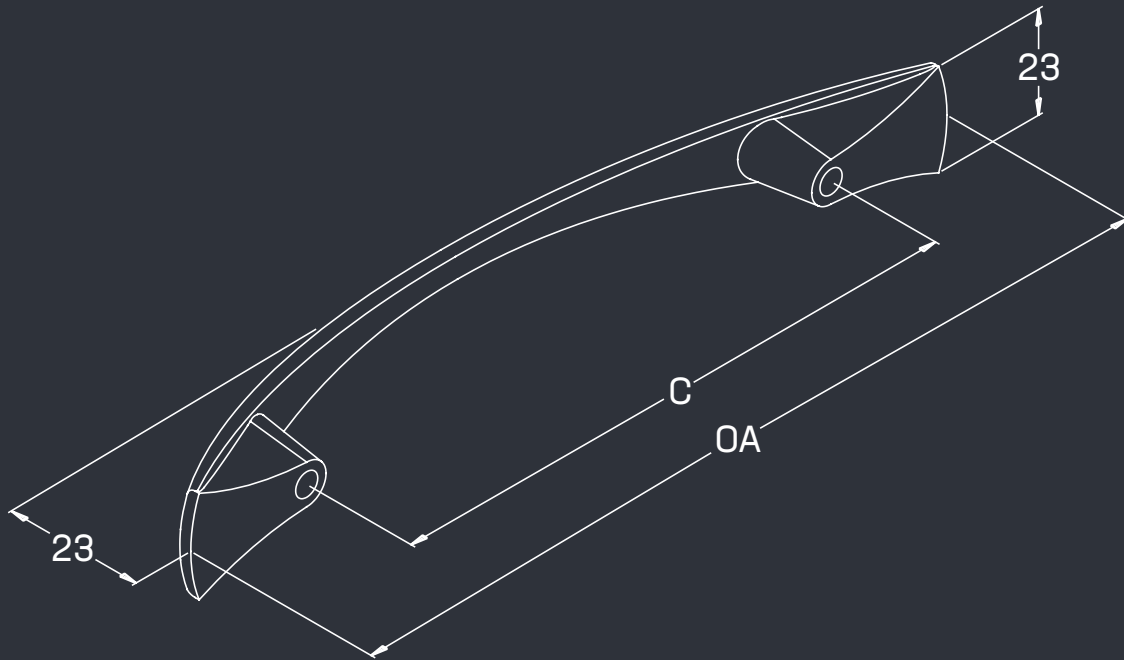


touch

H A N D L E S



Houston Bow Handle

- Material: Zinc Alloy
- Finish: Dull Brushed Nickel (DBR)

Part No.	Finish	C mm	OA mm
TBF96	DBR	96	137
TBF128	DBR	128	183

the finishing touch

1300 121 800 | www.touchhandles.com.au