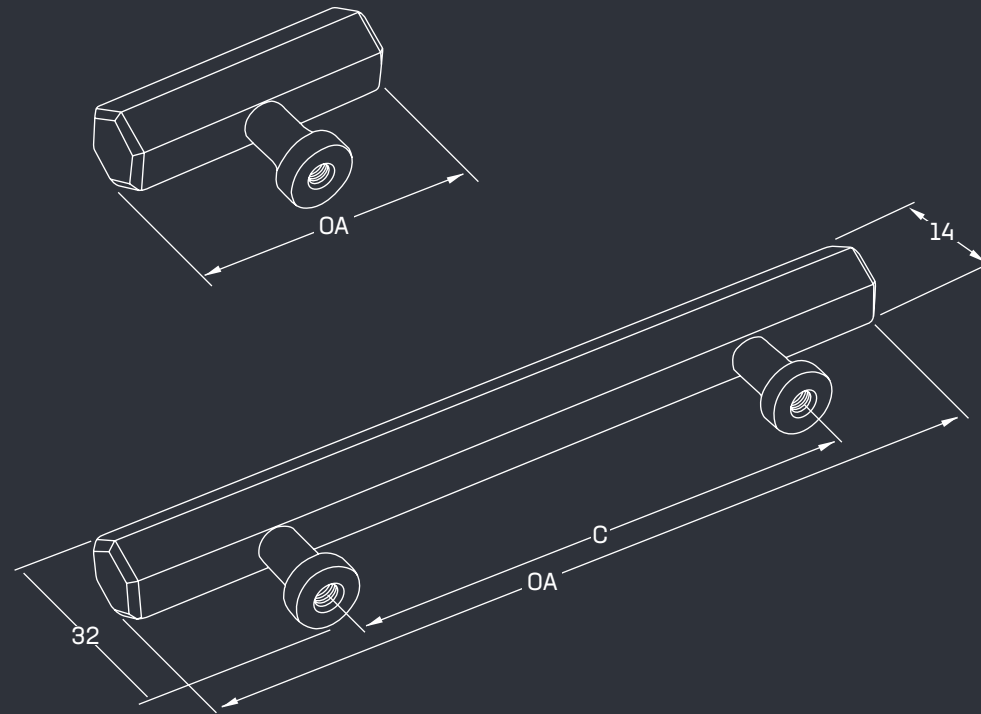


touch

H A N D L E S



Hex Bar Handles

- Hand Made in USA
- 9/16 size hexagonal bar handle
- Material: Solid Brass
- Finish: Satin Brass (SB), Polished Nickel (PN)

Part No.	Finish	C mm	OA mm
H320.50	SB, PN	-	50
H321.96	SB, PN	96	153
H321.160	SB, PN	160	203

the finishing touch

1300 121 800 | www.touchhandles.com.au