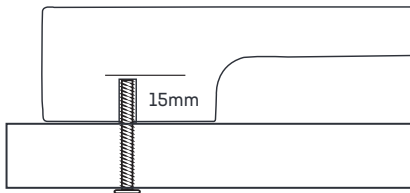


Hesket Peak Timber Handles Installation Instructions

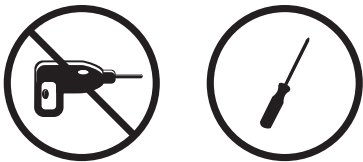
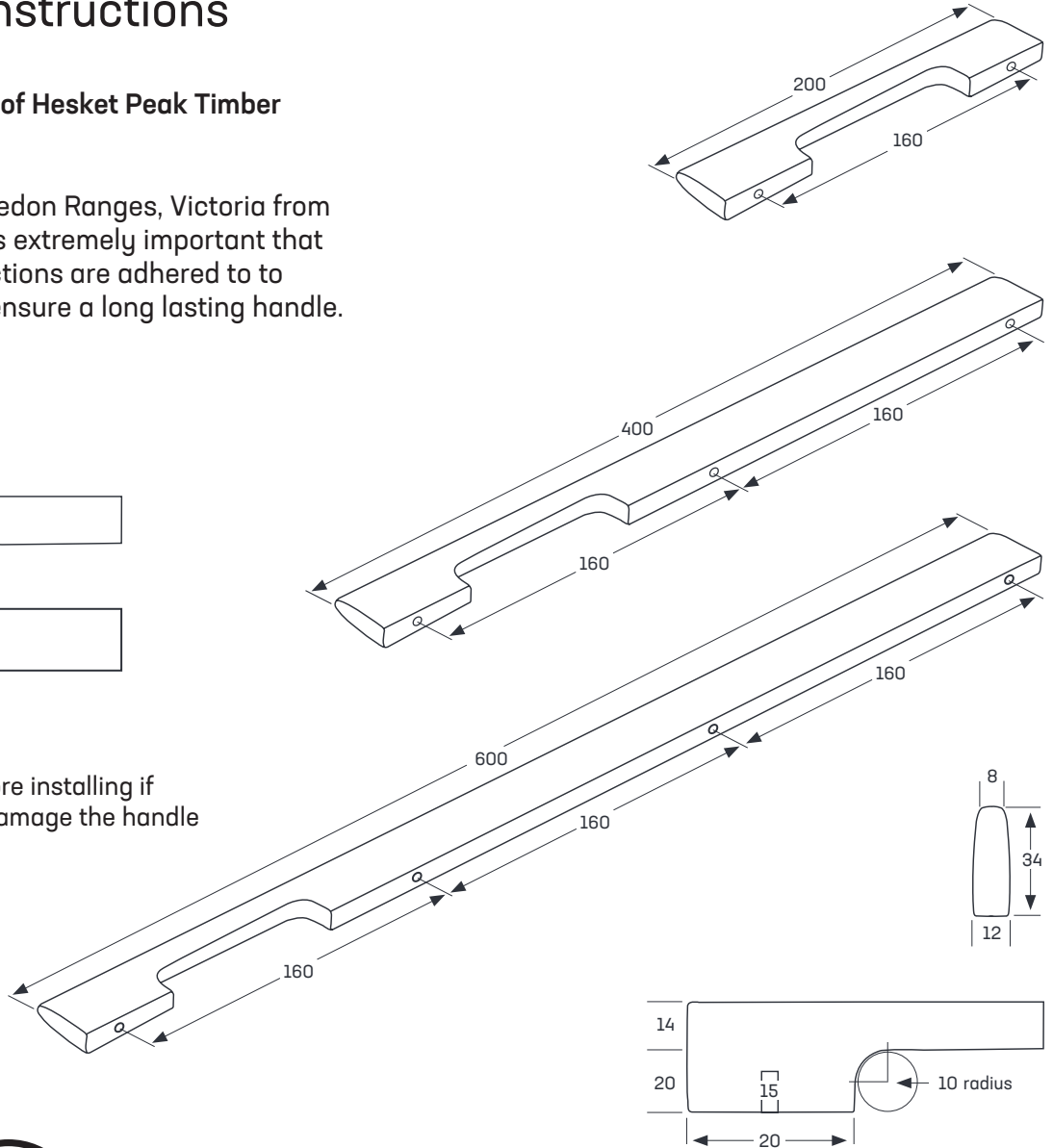
Thanks for your order of Hesket Peak Timber Handles

Handmade in the Macedon Ranges, Victoria from upcycled timber, so it's extremely important that the installation instructions are adhered to to prevent damage and ensure a long lasting handle.

MAX PROTRUSION



Check screw length before installing if screw is too long it will damage the handle



IMPORTANT

Check screw length before installing if screw is too long it will cause damage.

When installing **DO NOT** over tighten the screw.

Electric & battery operated drills should not be used to fix handles