

# touch

H A N D L E S

## Hesket Peak Handles

- Hand-Made in Macedon Ranges, Australia
- Suitable for hinged/sliding doors, and drawers. Ideal for pantry doors. Suitable for use as an appliance pull.
- Timber may vary in grain & colour
- Read installation guide before installing timber handles
- Finish: Ebony Stained American Oak (EAMOAK), Walnut Stained American Oak (WAMOAK), Clear Coated American Oak (CAMOAK), Raw American Oak (AMOAK)

	Part No.	Finish	OA	HC
A	HPH160	EAMOAK, WAMOAK, CAMOAK, AMOAK	200	160
B	HPH320	EAMOAK, WAMOAK, CAMOAK, AMOAK	400	320
C	HPH480	EAMOAK, WAMOAK, CAMOAK, AMOAK	600	480



Ebony American Oak (EAMOAK)



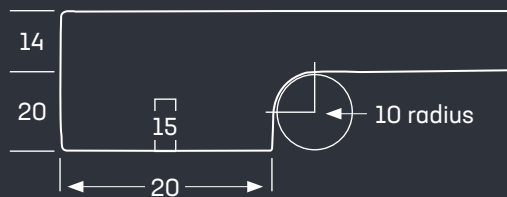
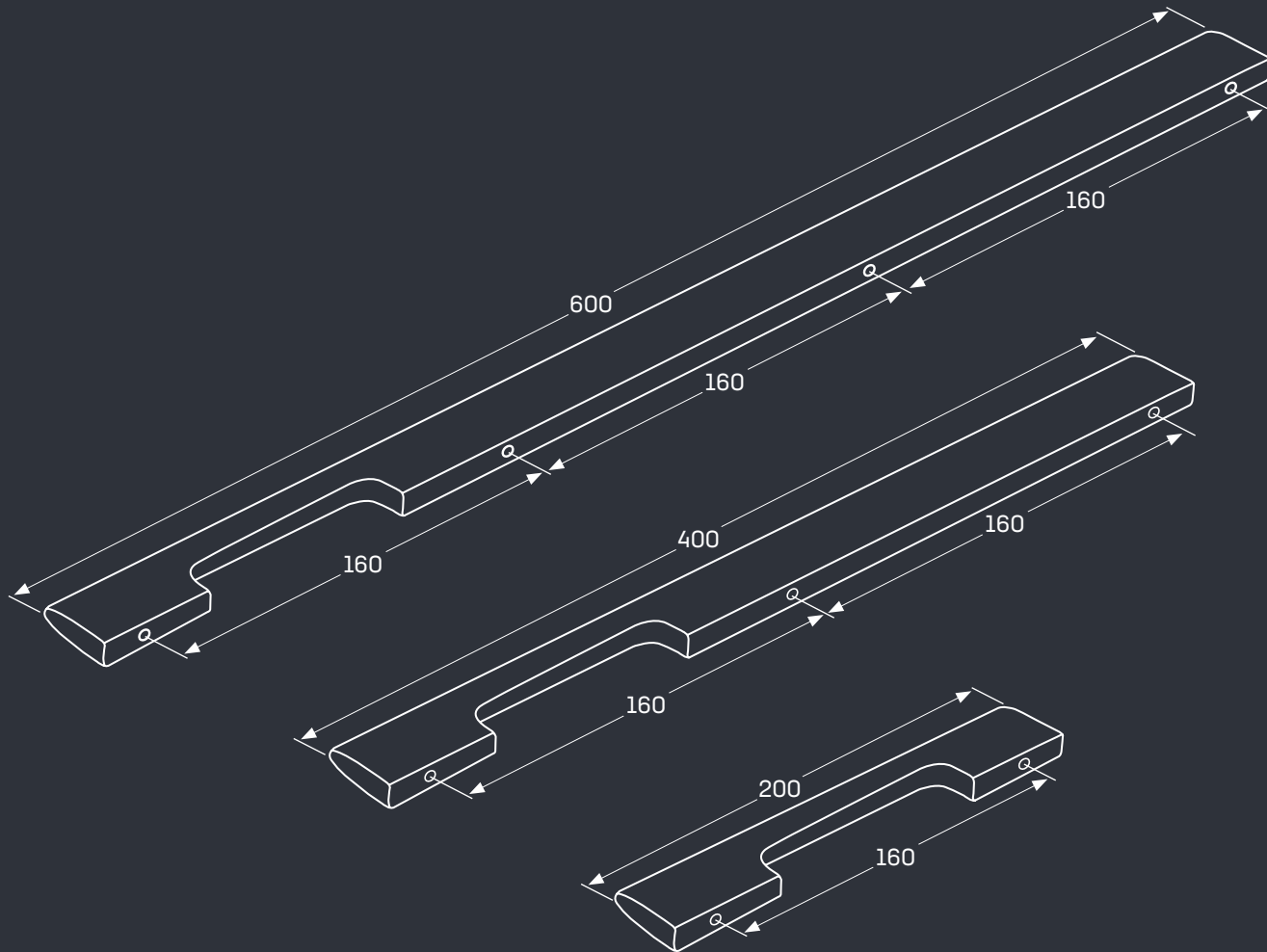
Walnut American Oak (WAMOAK)



Clear American Oak (CAMOAK)



Raw American Oak (AMOAK)



### IMPORTANT

- When installing **DO NOT** over tighten the screw.
- Electric or battery operated drills are not recommended when installing handles.

*the finishing touch*

1300 121 800 | [www.touchhandles.com.au](http://www.touchhandles.com.au)