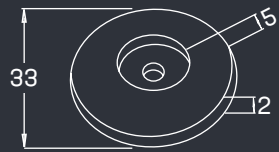
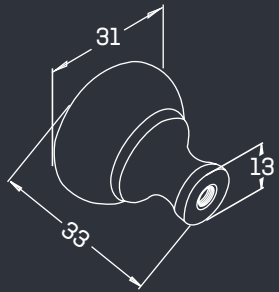
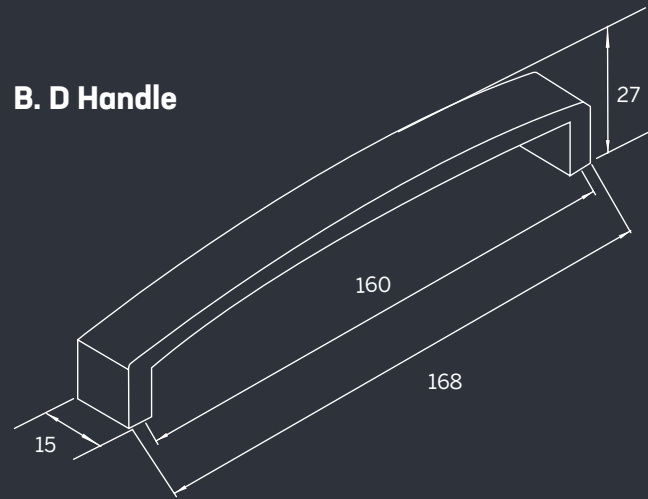


A. Round Knob

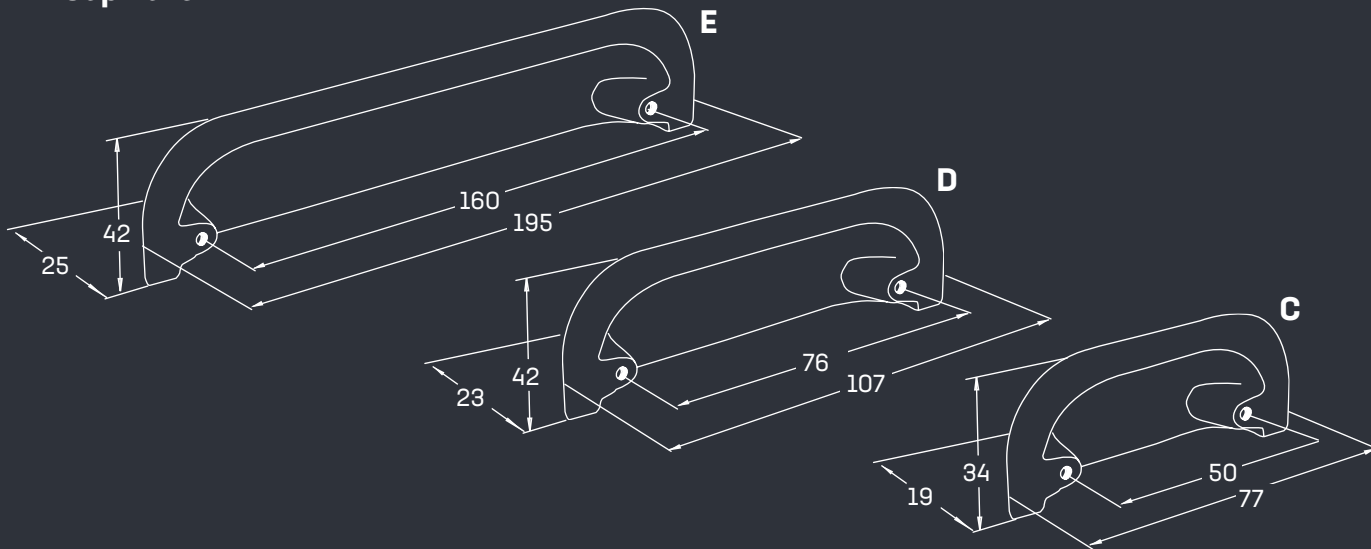


Optional backplate for knob

B. D Handle



Cup Pulls



touch

H A N D L E S

Hampton Collection 2.0

- Material: Zinc Alloy
- Finish: Brushed Brass (BRB), Dull Brushed Nickel (DBR), Matt Black (MBL), Polished Nickel (PN)

	Part No.	Finish	OA mm	C mm
A	HMK2.032	BRB, DBR, MBL, PN	33	-
B	HMD2.160	BRB, DBR, MBL, PN	167	160
C	HMC2.050	BRB, DBR, MBL, PN	79	50
D	HMC2.076	BRB, DBR, MBL, PN	107	76
E	HMC2.160	BRB, DBR, MBL, PN	195	160

the finishing touch

1300 121 800 | www.touchhandles.com.au