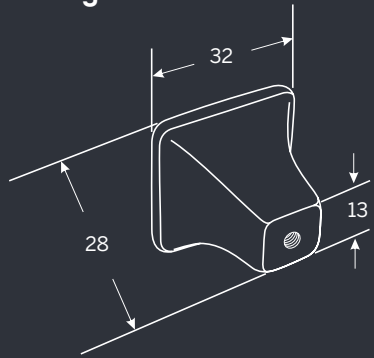
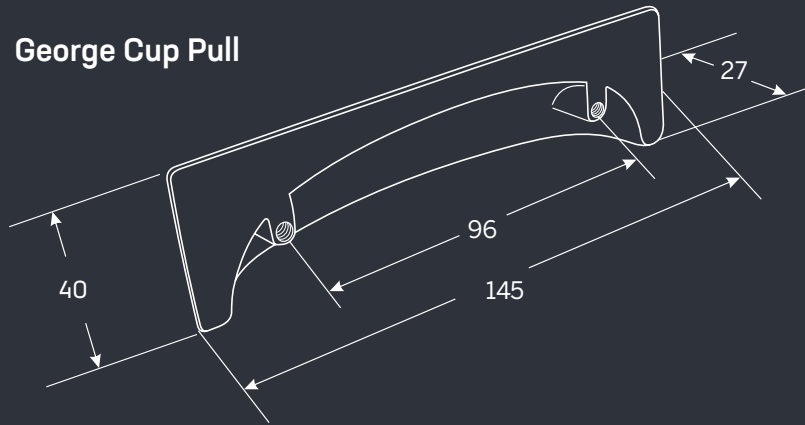


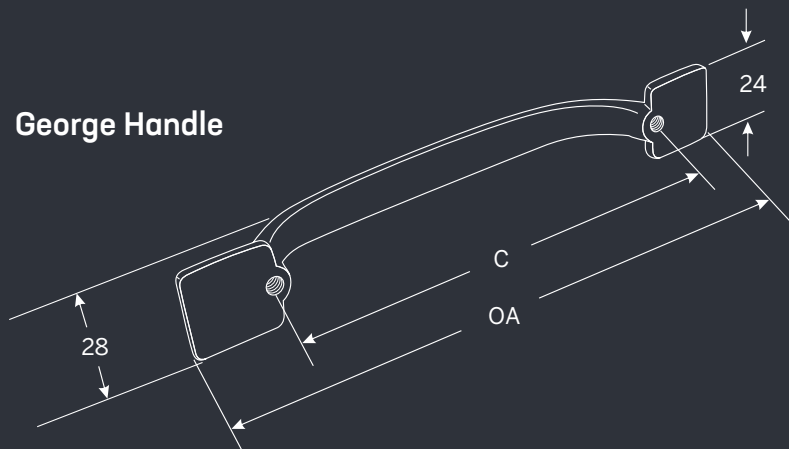
George Knob



George Cup Pull



George Handle



touch

H A N D L E S

George Collection

- Material: Cast Iron
- Finish: Pewter (PW)

Part No.	Finish	C mm	OA mm
KB3849.32	PW	-	32
HN3851.96	PW	96	145
HN3850.128	PW	128	172

the finishing touch

1300 121 800 | www.touchhandles.com.au