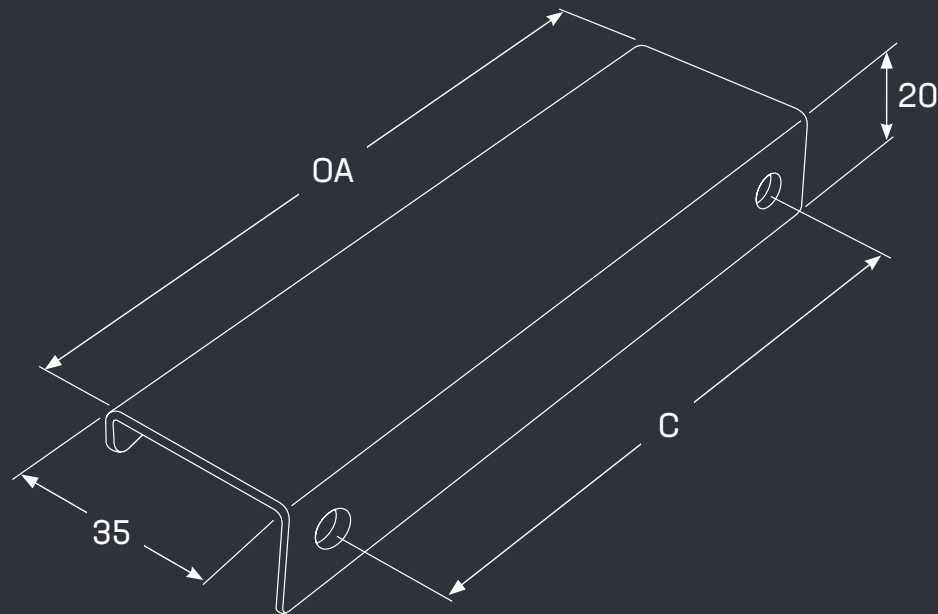


# touch

H A N D L E S

## Ferrara Lip Pull

- Material Thickness: 1.5mm
- Material: 304 Stainless Steel (not suitable for outdoor use)
- Finish: Matt Black (MBL), Polished Stainless Steel (PSS), Stainless Steel (SS), White (WH), Gun Metal (GM), Satin Brushed Brass (SBB), Burnt Bronze (BRZ)



| Part No. | Finish                         | C mm | OA mm |
|----------|--------------------------------|------|-------|
| FER038   | MBL, PSS, SS, WH, BRZ          | 25   | 38    |
| FER100   | MBL, PSS, SS, WH, GM, SBB, BRZ | 88   | 100   |
| FER150   | MBL, PSS, SS, WH, GM, SBB, BRZ | 128  | 150   |
| FER200   | MBL, PSS, SS, WH, GM, SBB, BRZ | 160  | 200   |
| FER300   | MBL, PSS, SS, WH, GM, SBB, BRZ | 265  | 300   |
| FER500   | MBL, PSS, SS, WH, BRZ          | 430  | 500   |



Matt Black (MBL)



Polished Stainless Steel (PSS)



Stainless Steel (SS)



White (WH)



Gun Metal (GM)



Satin Brushed Brass (SBB)



Burnt Bronze (BRZ)

the finishing touch

1300 121 800 | [www.touchhandles.com.au](http://www.touchhandles.com.au)