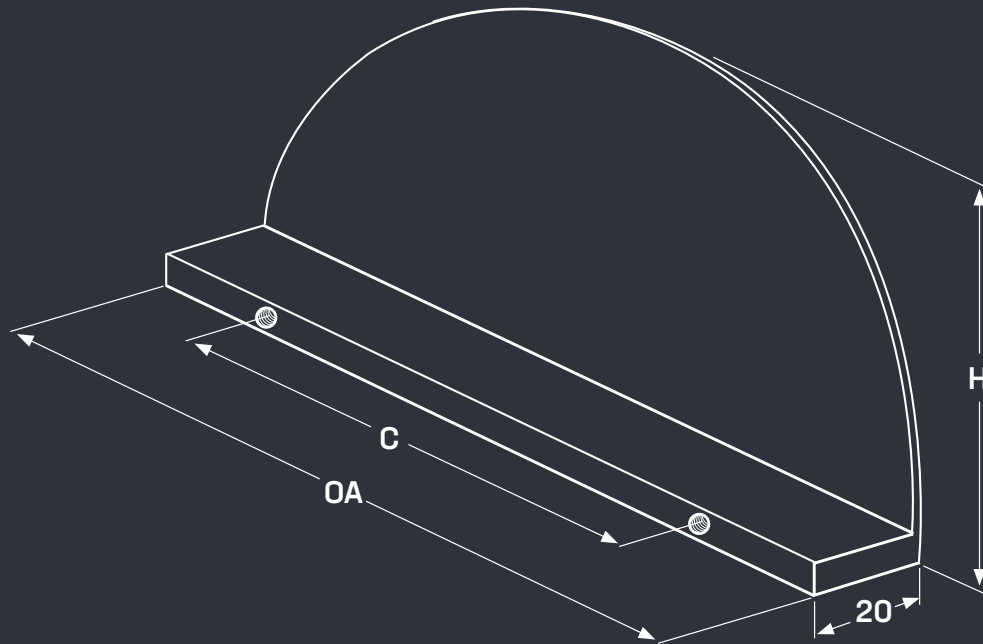


touch

H A N D L E S



## Circ Semi Circle Handle

- Use together to create the illusion of a circle on your cabinetry
- Material: Zinc Alloy
- Finish: Brushed Brass (BRB), Dull Brushed Nickel (DBR), Matt Black (MBL), Matt White (MWH)

Part No.	Finish	H mm	C mm	OA mm
CIRC32	MBL, DBR, BRB, MWH	34	32	74
CIRC64	MBL, DBR, BRB, MWH	43	64	98
CIRC96	MBL, DBR, BRB, MWH	65	96	140

*the finishing touch*

1300 121 800 | [www.touchhandles.com.au](http://www.touchhandles.com.au)