

touch

H A N D L E S

Chicama Wave handles

- Made in Macedon Ranges, Australia
- Hand-made hydro bent timber handles
- Suitable for hinged/sliding doors, and drawers. Ideal for pantry doors. Suitable for use as an appliance pull.
- Timber may vary in grain & colour
- Read installation guide before installing timber handles
- Custom Sizing Available - Can be cut to length, satchels of touch-up wax available
- Finish: Ebony Stained American Oak (EAMOAK), Walnut Stained American Oak (WAMOAK), Clear Coated American Oak (CAMOAK), Raw American Oak (AMOAK)

Part No.	Finish	OA	HC
CWH224	EAMOAK, WAMOAK, CAMOAK, AMOAK	340	224
CWH672	EAMOAK, WAMOAK, CAMOAK, AMOAK	720	672



Ebony American Oak (EAMOAK)



Walnut American Oak (WAMOAK)

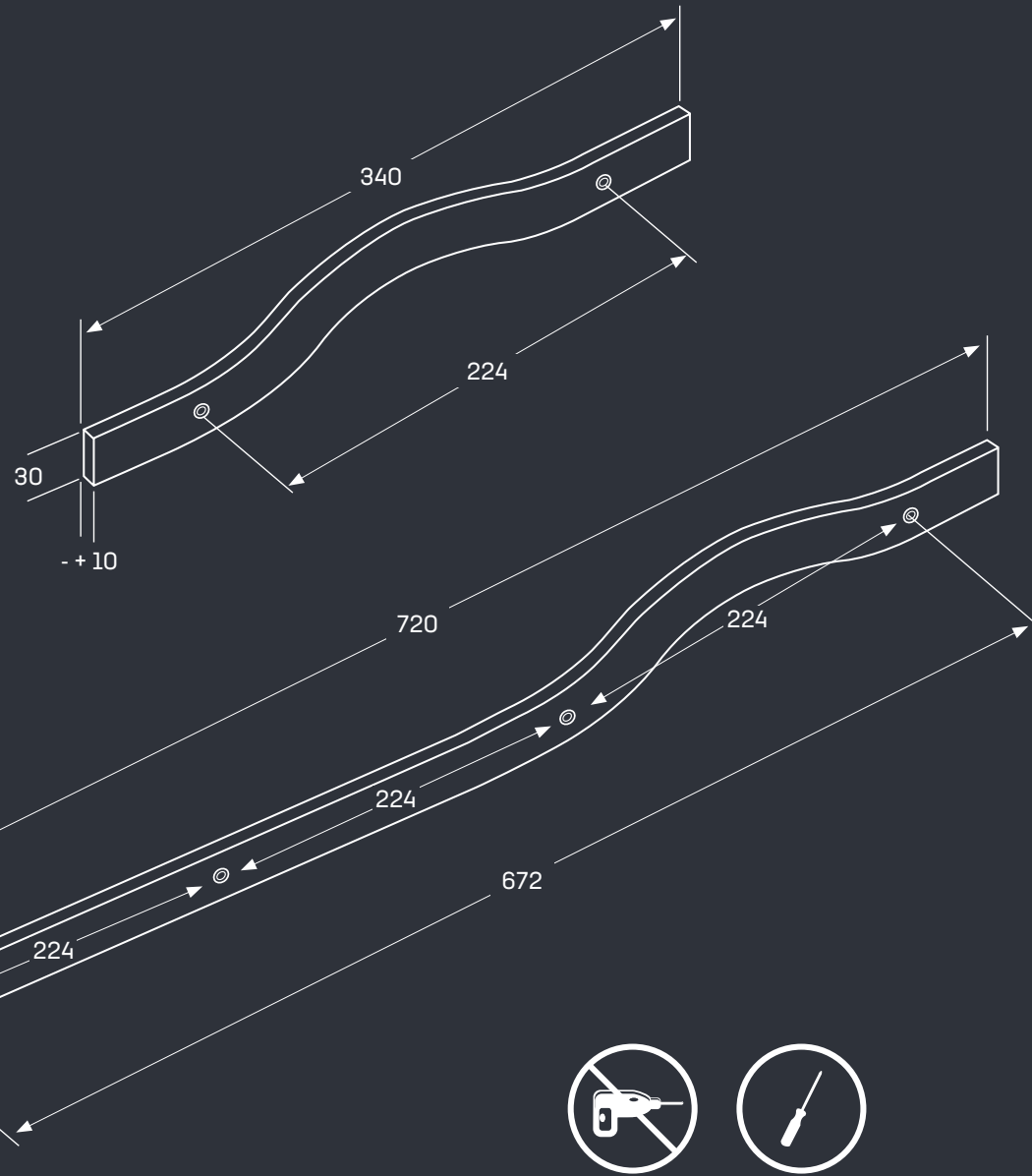


Clear American Oak (CAMOAK)



Raw American Oak (AMOAK)

1300 121 800 | www.touchhandles.com.au



IMPORTANT

- When installing **DO NOT** over tighten the screw.
- Electric or battery operated drills are not recommended when installing handles.

the finishing touch