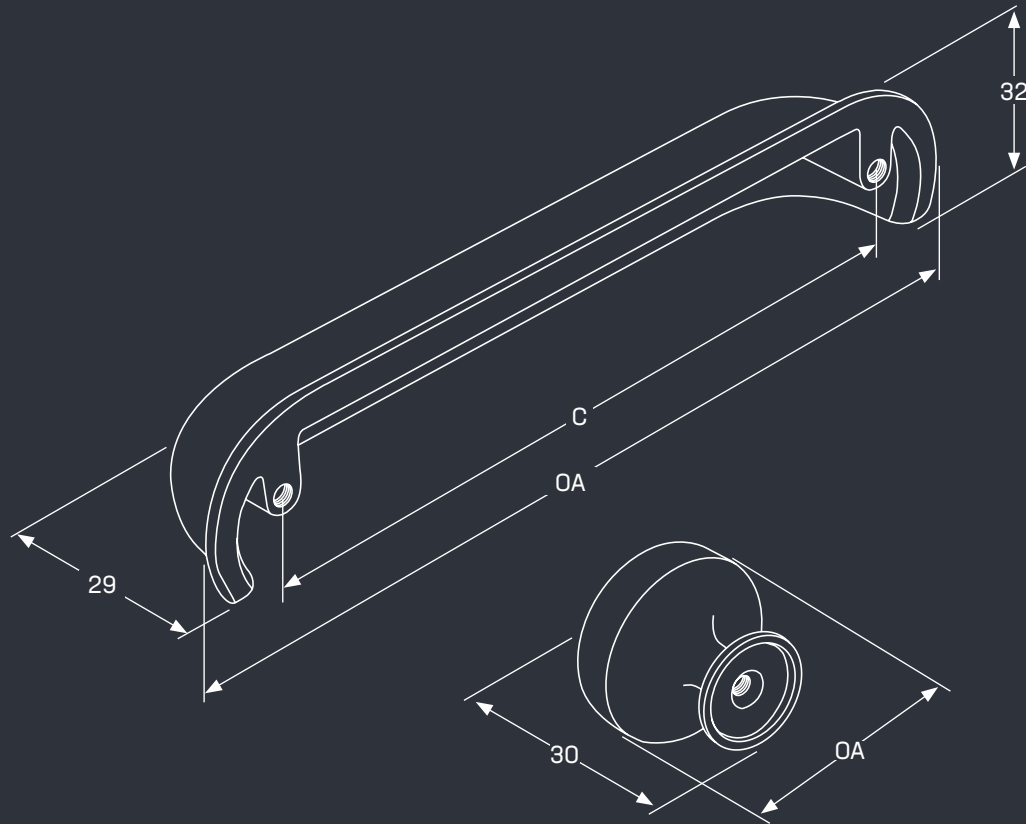


touch

H A N D L E S



Calgary Collection

- Material: Zinc Alloy
- Finish: Brushed Nickel (BRN), Matt Black (MBL), Polished Nickel (PN), Brushed Satin Brass (BSB)

Part No.	Finish	Description	C mm	OA mm
KB4163.35	BRN, MBL, PN, BSB	Knob	-	35
HN4160.128	BRN, MBL, PN, BSB	Cup Pull	128	160

the finishing touch

1300 121 800 | www.touchhandles.com.au