


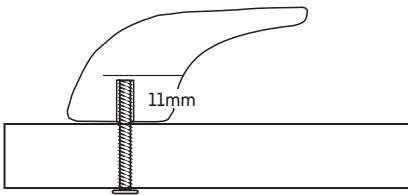
Cadello Crest Timber Handles Installation Instructions

Thank you for your order of Cadello Crest Timber Handles.

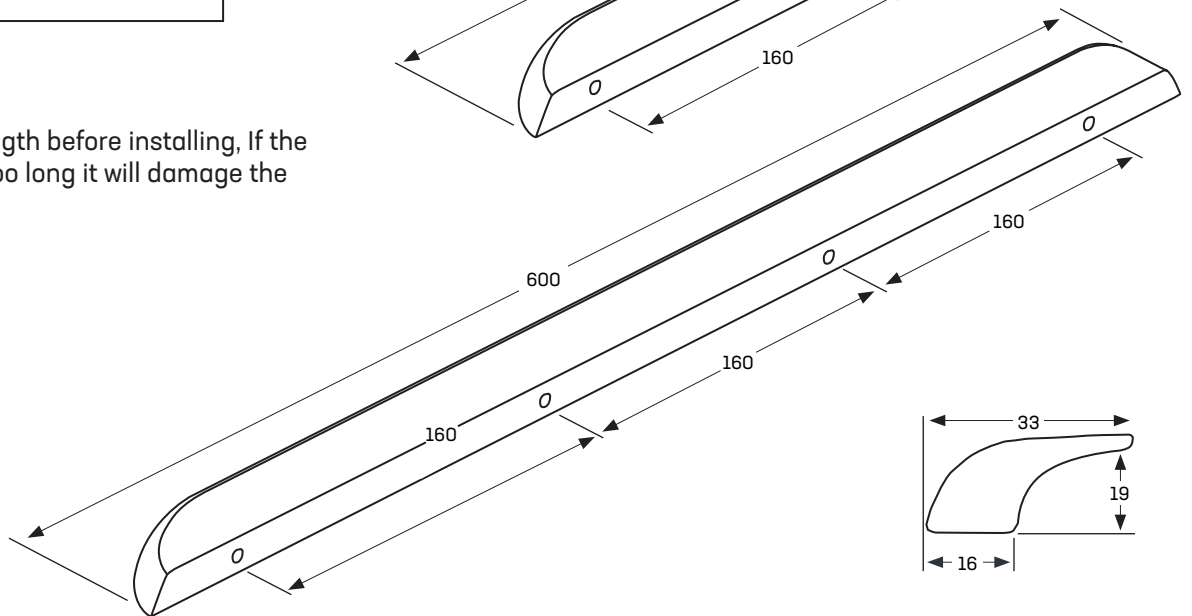
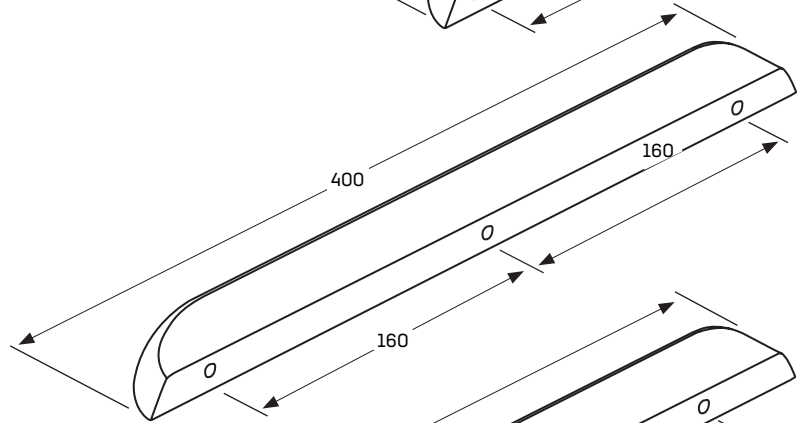
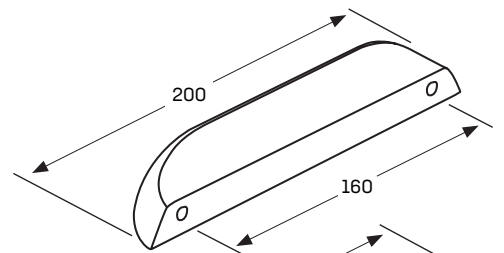
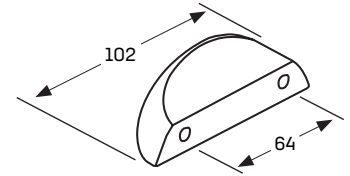
Handmade in the Macedon Ranges, (Victoria) from upcycled timber, It's extremely important that the installation instructions are adhered to prevent damage and ensure a long lasting handle.

 Share your Touch Made handles with us @touch_handles_au

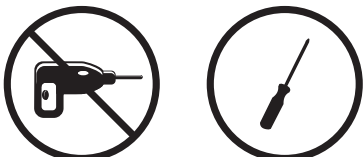
MAX PROTRUSION



Check screw length before installing, If the fixing screw is too long it will damage the handle



IMPORTANT



Check screw length before installing, If the fixing screw is too long it will cause damage to the handle.

When installing **DO NOT** over tighten the screw.

Electric & battery operated drills should not be used to fix handles