

touch

H A N D L E S

Cadello Crest Timber Handles

- Handcrafted in Macedon Ranges, Australia
- Timber may vary in grain & colour
- Read installation guide before installing timber handles
- Finish: Ebony Stained American Oak (EAMOAK), Walnut Stained American Oak (WAMOAK), Clear Coated American Oak (CAMOAK), Raw American Oak (AMOAK)

	Part No.	Finish	OA	HC
A	CCH64	EAMOAK, WAMOAK, CAMOAK, AMOAK	100	64
B	CCH160	EAMOAK, WAMOAK, CAMOAK, AMOAK	200	160
C	CCH320	EAMOAK, WAMOAK, CAMOAK, AMOAK	400	320
D	CCH480	EAMOAK, WAMOAK, CAMOAK, AMOAK	600	480



Ebony American Oak (EAMOAK)



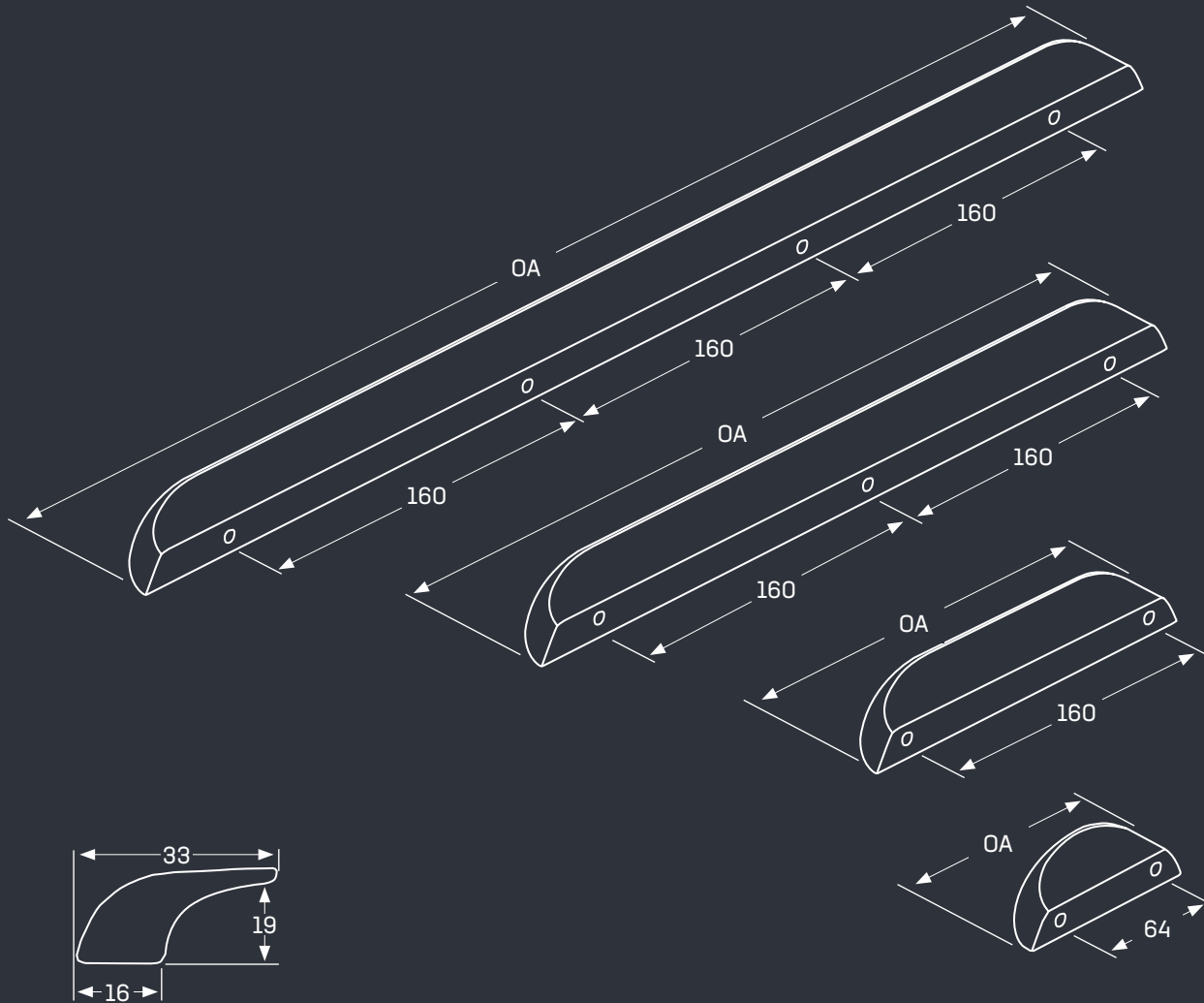
Walnut American Oak (WAMOAK)



Clear American Oak (CAMOAK)



Raw American Oak (AMOAK)



IMPORTANT

- When installing **DO NOT** over tighten the screw.
- Electric or battery operated drills are not recommended when installing handles.

the finishing touch

1300 121 800 | www.touchhandles.com.au