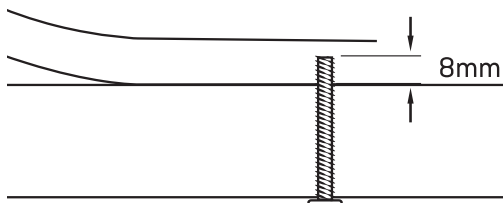


Chicama Wave Timber Handles Installation Instructions

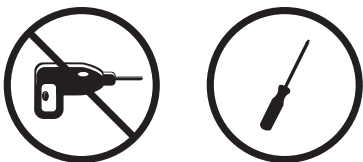
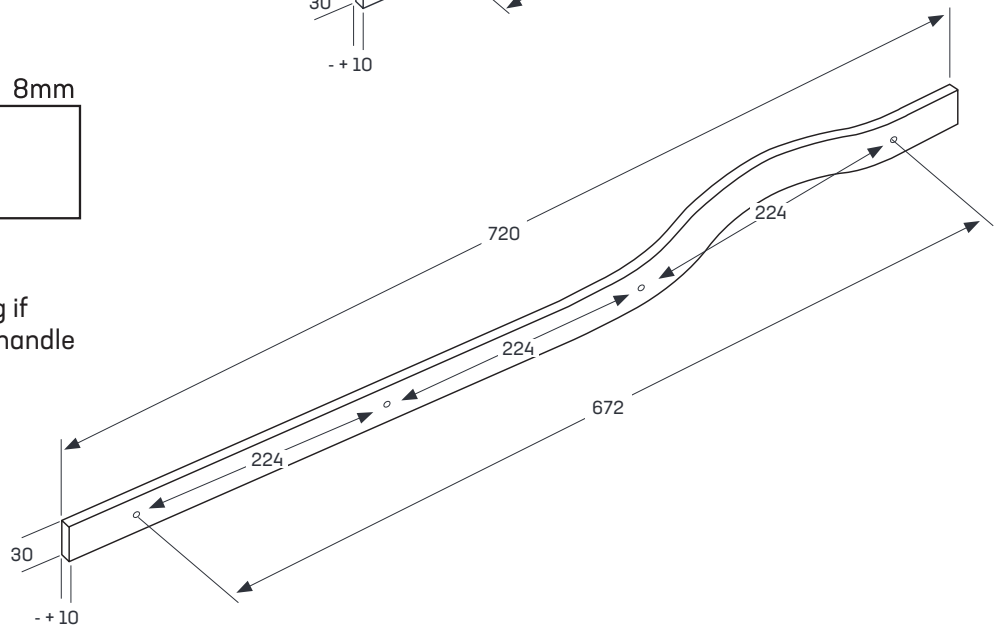
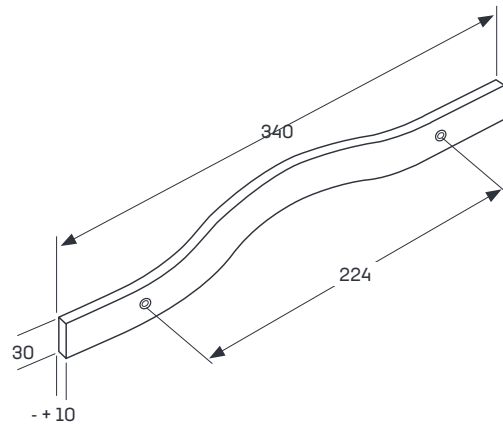
Thanks for your order of Chicama Wave Handles

Handmade in the Macedon Ranges using a unique hydro bending technique, it's important that the installation instructions are adhered to to prevent damage and to ensure a long lasting handle.

MAX PROTRUSION



Check screw length before installing if screw is too long it will damage the handle



IMPORTANT

Check screw length before installing if screw is too long it will cause damage.

When installing **DO NOT** over tighten the screw.

The use of electric or battery operated drills is not recommended when screwing in handles.