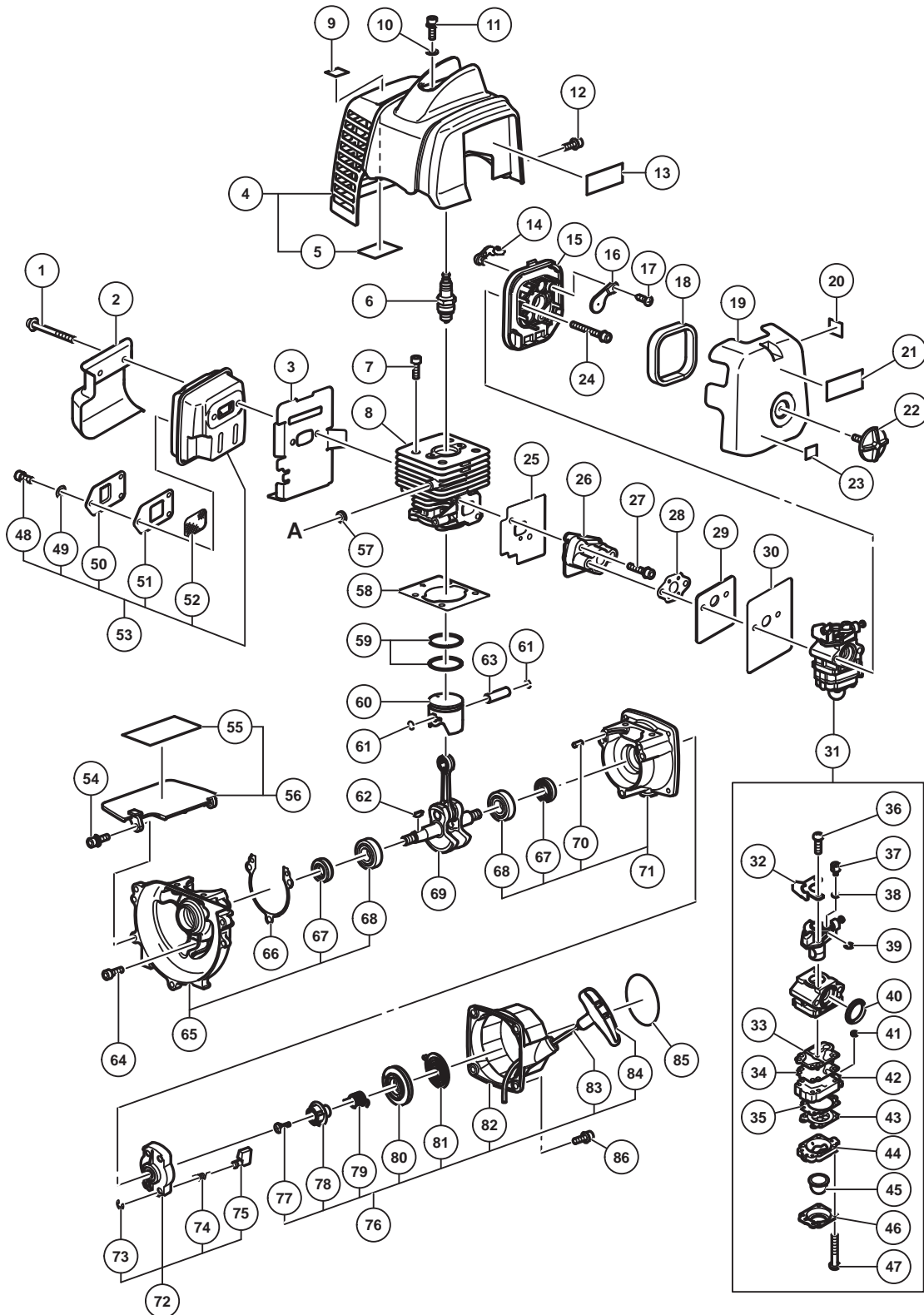


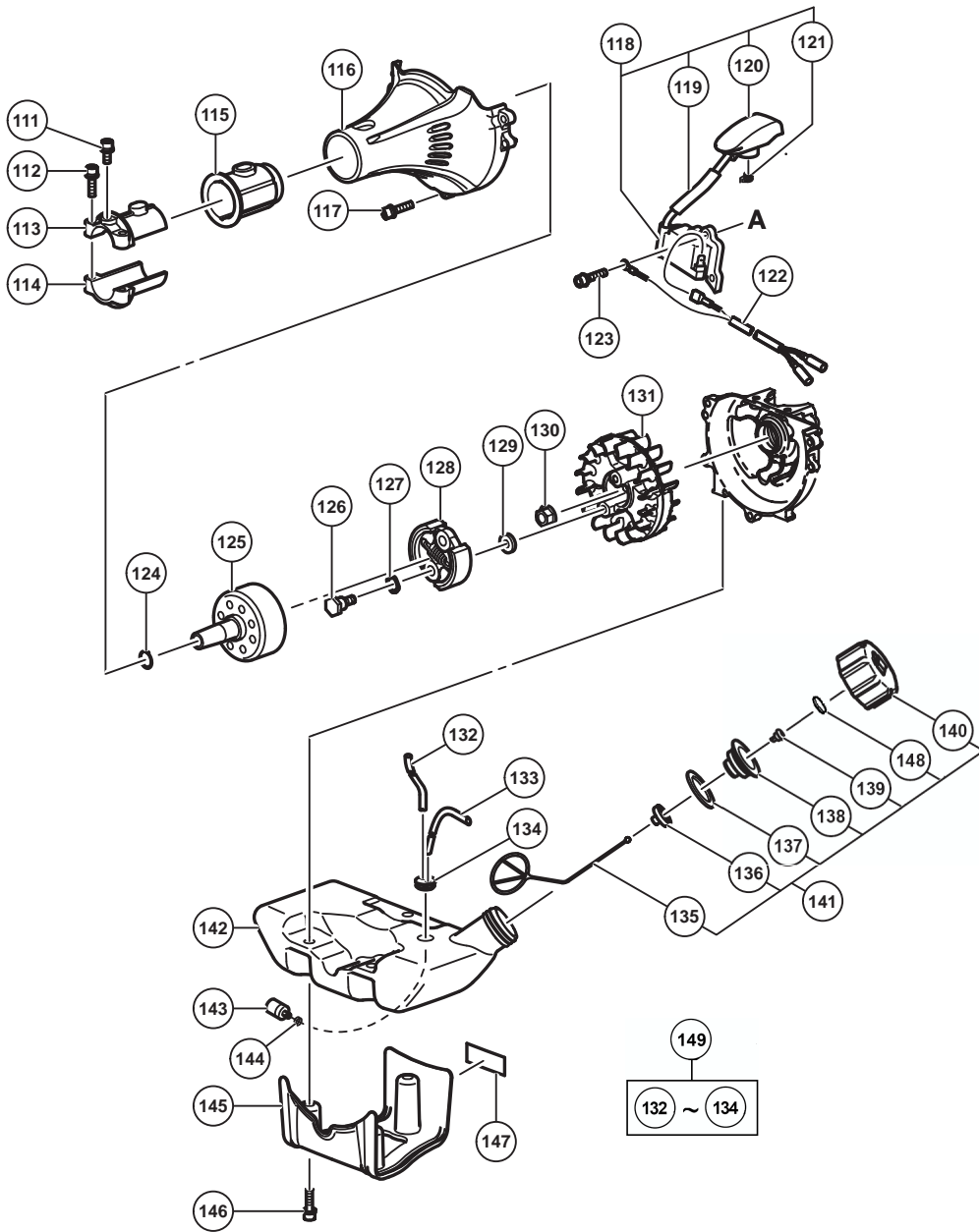
ENGINE TOOL PARTS LIST

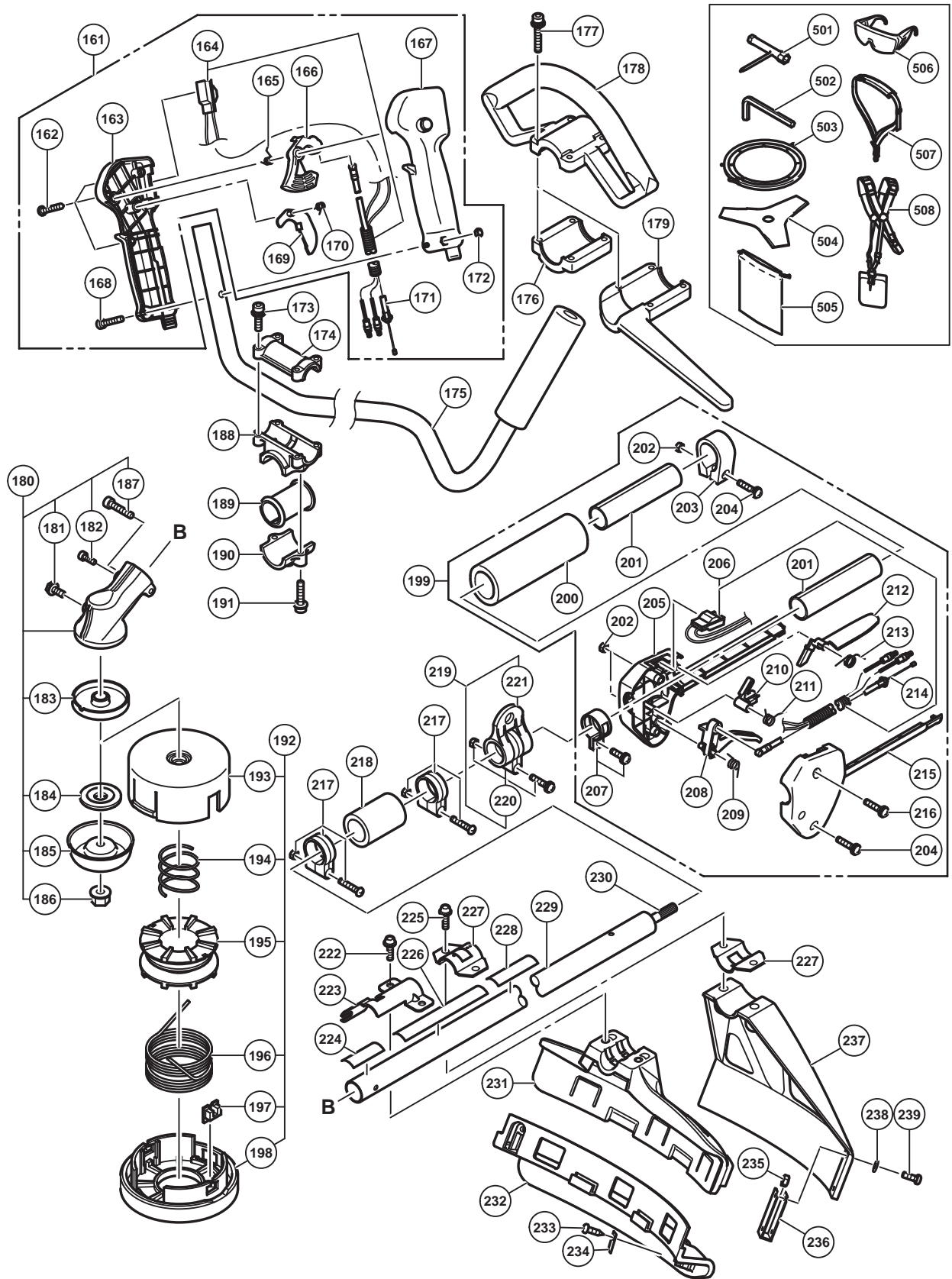
GRASS TRIMMER / BRUSH CUTTER 2017-4-20

Model CG 23ECP

(E1a)







PARTS

CG 23ECP

ITEM NO.	CODE NO.	DESCRIPTION	NO. USED	REMARKS
1	6600706	HEX.SOCKET BOLT M5 X 55	2	
2	6600707	HEAT SHIELD	1	
3	6600710	MUFFLER PACKING	1	
* 4	6601288	TOP COVER ASS'Y (VERMILION)	1	INCLUD.5
* 4	6601289	TOP COVER ASS'Y (GREEN)	1	INCLUD.5 FOR USA,CAN
5	6600714	ALUMINUM TAPE	1	
6	6600713	IGNITION PLUG (AC6AR)	1	
7	6600712	HEX. SOCKET HD. BOLT M5 X 16	4	
8	6600711	CYLINDER	1	
9	6698864	CAUTION LABEL (HOT)	1	
10	6600715	SPACER	1	
11	6600716	HEX. SOCKET HD. BOLT (W/WASHERS) M5 X 18	1	
12	6600720	HEX. SOCKET HD. BOLT (W/WASHERS) M5 X 16	2	
13		CAUTION MARK	1	
14	6600721	CHOKE LEVER	1	
15	6600722	CLEANER BASE	1	
16	6600723	CHOKE PLATE	1	
17	6600724	TAPPING SCREW ST 4.2 X 9.5	1	
18	6600725	AIR FILTER ELEMENT	1	
19	6600726	CLEANER COVER	1	
* 20	6699000	PRIMER LABEL	1	FOR EUROPE
* 21	6601297	START LABEL	1	FOR USA,CAN
22	6600727	CLEANER KNOB	1	
* 23	6600327	MARK PLATE (T)	1	FOR EUROPE
24	6600728	HEX. SOCKET HD. BOLT (W/WASHERS) M5 X 60	2	
25	6600729	INTAKE PACKING	1	
26	6600730	CARBURETOR INSULATOR	1	
27	6600731	HEX. SOCKET HD. BOLT (W/WASHERS) M5 X 25	2	
28	6600732	CARBURETOR PACKING (A)	1	
29	6600733	HEAT INSULATION PLATE	1	
30	6600734	CARBURETOR PACKING (B)	1	
31	6600735	CARBURETOR ASS'Y (WYK-483)	1	INCLUD.32-47
32	6601292	CABLE ADJUST STAY	1	
33	6684692	PUMP GASKET	1	
34	6684693	PUMP DIAPHRAGM	1	
35	6684691	DIAPHRAGM GASKET	1	
36	6684870	THROTTLE SET SCREW	2	
37	6601293	SWIVEL	1	
38	6684874	THRUST WASHER	1	
39	6684696	STOP RING	1	
40	6684875	CLEANER PACKING	1	
41	6684700	INLET SCREEN	1	
42	6601294	PUMP BODY	1	
43	6684690	METERING DIAPHRAGM	1	
44	6684687	PRIMING PUMP COMP.	1	
45	6684689	PRIMING BODY	1	
46	6684688	DIAPHRAGM COVER	1	
47	6684699	SET SCREW	4	
48	6600755	HEX. SOCKET HD. BOLT M4 X 10	3	
49	6600756	BOLT WASHER D4	3	

PARTS

CG 23ECP

ITEM NO.	CODE NO.	DESCRIPTION	NO. USED	REMARKS
50	6600757	EXHAUST PIPE	1	
51	6600758	EXHAUST PACKING	1	
52	6600759	SPARK ARRESTER	1	
53	6600708	MUFFLER ASS'Y	1	INCLUD.48-52
54	6600742	HEX. SOCKET HD. BOLT (W/WASHERS) M5 X 14	2	
55	6600744	ALUMINUM TAPE	1	
56	6601291	INSULATION PLATE ASS'Y	1	INCLUD.55
57	6600660	IGNITION COIL SPACER	2	
58	6600738	CYLINDER PACKING	1	
59	6600739	PISTON RING	2	
60	6600740	PISTON	1	
61	6600736	CIRCLIP	2	
62	6600741	WOODRUFF KEY	1	
63	6600737	PISTON PIN	1	
64	6600712	HEX. SOCKET HD. BOLT M5 X 16	3	
65	6600745	CRANK CASE (A) ASS'Y	1	INCLUD.67,68
66	6600746	CRANK CASE PACKING	1	
67	6600747	OIL SEAL	2	
68	6600594	BALL BEARING	2	
69	6600748	CRANK SHAFT	1	
70	6600749	KNOCK PIN	2	
71	6600750	CRANK CASE (B) ASS'Y	1	INCLUD.67,68,70
72	6600752	PULLEY ASS'Y	1	INCLUD.73-75
73	6601321	RETAINING RING	2	
74	6601322	STARTER PAWL SPRING	2	
75	6601323	STARTER PAWL	2	
76	6600753	RECOIL STARTER ASS'Y (S)	1	INCLUD.77-84
77	6601307	SET SCREW	1	
78	6601309	CAM (S)	1	
79	6601311	DAMPER SPRING (S)	1	
80	6601313	REEL (S)	1	
81	6601315	SPIRAL SPRING (S)	1	
82	6601317	STARTER CASE (S)	1	
83	6601319	STATER ROPE (S)	1	
84	6601320	STARTER HANDLE	1	
85		NAME PLATE	1	
86	6600720	HEX. SOCKET HD. BOLT (W/WASHERS) M5 X 16	2	
111	6600760	HEX. SOCKET HD. BOLT (W/WASHERS) M5 X 12	1	
112	6600731	HEX. SOCKET HD. BOLT (W/WASHERS) M5 X 25	2	
113	6600761	HOLDER (A)	1	
114	6600762	HOLDER (B)	1	
115	6600763	ANTI VIBRATION RUBBER	1	
116	6600764	FAN CASE	1	
117	6600716	HEX. SOCKET HD. BOLT (W/WASHERS) M5 X 18	3	
118	6600765	IGNITION COIL ASS'Y	1	INCLUD.119-121
119	6600766	CORD INSULATION TUBE	1	
120	6600767	PLUG CAP	1	
121	6600768	PLUG CAP METAL	1	
122	6601296	CORD	1	
123	6600775	HEX. SOCKET HD. BOLT (W/WASHERS) M4 X 20	2	

PARTS

CG 23ECP

ITEM NO.	CODE NO.	DESCRIPTION	NO. USED	REMARKS
124	6600770	RETAINING RING	1	
125	6600771	CLUTCH SHAFT (S)	1	
126	6600661	STEP BOLT	2	
127	6600662	BENT WASHER 8	2	
128	6600773	CLUTCH	1	
129	6600664	CLUTCH WASHER (B)	2	
130	6600658	FLY WHEEL NUT	1	
131	6600774	MAGNETO ROTOR	1	
* 132	6600783	FUEL PIPE	1	
* 132	6601398	FUEL PIPE	1	FOR USA,CAN
* 133	6600785	RETURN PIPE	1	
* 133	6601400	RETURN PIPE	1	FOR USA,CAN
* 134	6600787	FUEL GROMMET	1	
* 134	6600671	FUEL GROMMET	1	FOR USA,CAN
135	6600782	TANK CAP RETAINER	1	
136	6600781	TANK CAP RETAINER HOLDER	1	
137	6600780	TANK CAP PACKING	1	
138	6600779	VALVE HOLDER	1	
139	6600778	VALVE	1	
140	6600777	TANK CAP	1	
141	6600776	TANK CAP ASS'Y	1	INCLUD.135-140
* 142	6600788	FUEL TANK	1	
* 142	6600789	FUEL TANK	1	FOR USA,CAN
143	6685199	PUMP FILTER BODY	1	
144	6601295	CLIP	1	
145	6600791	STAND	1	
146	6600716	HEX. SOCKET HD. BOLT (W/WASHERS) M5 X 18	3	
147	6698921	TANK MARK LABEL (50:1)	1	
* 148	6601396	FILTER ELEMENT	1	
* 149	6601404	FUEL PIPE SET	1	
* 163	6600831	HANDLE (B)	1	FOR (S)
* 164	6600833	STOP SWITCH	1	FOR (S)
* 165	6600830	SPRING (B)	1	FOR (S)
* 166	6600829	THROTTLE LEVER	1	FOR (S)
* 167	6600826	HANDLE (A)	1	FOR (S)
* 168	6600834	HEX. SOCKET HD. BOLT M5 X 30	1	FOR (S)
* 169	6600828	TRIGGER LOCKOUT	1	FOR (S)
* 170	6600827	SPRING (A)	1	FOR (S)
* 171	6600835	THROTTLE WIRE COMP.	1	FOR (S)
* 172	6600825	NUT M5	1	FOR (S)
* 173	6600794	HEX. SOCKET HD. BOLT (W/WASHERS) M5 X 25	4	FOR (S)
* 174	6600795	HANDLE HOLDER (A)	1	FOR (S)
* 175	6600836	BIKE HANDLE	1	FOR (S)
* 176	6600801	LOOP HANDLE BRACKET	1	FOR USA,CAN
* 177	6600873	HEX. SOCKET HD. BOLT (W/SP.WASHER) M5 X 35	4	EXCEPT FOR (S)
* 178	6600800	LOOP HANDLE	1	EXCEPT FOR (S)
* 179	6600802	BARRIER	1	FOR EUROPE (SL)
* 180	6600803	GEAR CASE ASS'Y (S)	1	INCLUD.181-187
* 180	6600804	GEAR CASE ASS'Y (S)	1	INCLUD.181-183,187 FOR USA,CAN
181	6600856	BOLT (W/BOLT WASHER) M6 X 8	1	

PARTS

CG 23ECP

ITEM NO.	CODE NO.	DESCRIPTION	NO. USED	REMARKS
182	6600855	HEX. SOCKET HD. BOLT M5 X 12	1	
183	6600857	HOLDER (A)	1	
* 184	6600858	HOLDER (B)	1	FOR EUROPE
* 185	6600859	NUT COVER	1	FOR EUROPE
* 186	6600860	U-NUT (LEFT HAND) M10	1	FOR EUROPE
187	6600854	HEX. SOCKET HD. BOLT (W/SP.WASHER) M5 X 30	1	
* 188	6600796	HANDLE HOLDER (B)	1	FOR (S)
* 189	6601298	HANDLE HOLDER RUBBER	1	FOR (S)
* 190	6600798	HANDLE HOLDER (C)	1	FOR (S)
* 191	6600799	HEX. SOCKET HD. BOLT (W/WASHERS) M6 X 25	2	FOR (S)
* 192	6600570	NYLON HEAD	1	INCLUD.193-198 FOR (SL)
* 193	6600806	NYLON HEAD COVER	1	FOR (SL)
* 194	6600809	RETURN SPRING	1	FOR (SL)
* 195	6600808	REEL	1	FOR (SL)
* 196	6600807	NYLON CORD	1	FOR (SL)
* 197	6600810	CORD GUIDE	2	FOR (SL)
* 198	6600811	NYLON HEAD CAP	1	FOR (SL)
* 199	6600822	THROTTLE LEVER ASS'Y	1	INCLUD.200-216 FOR (SL)
* 200	6600852	GRIP	1	FOR (SL)
* 201	6601306	THROTTLE COLLAR	2	FOR (SL)
* 202	6600825	NUT M5	3	FOR (SL)
* 203	6600853	HANDLE CLAMP	1	FOR (SL)
* 204	6600839	SCREW (W/WASHERS) M5 X 25	2	FOR (SL)
* 205	6600850	HANDLE (B)	1	FOR (SL)
* 206	6600851	STOP SWITCH COMP.	1	FOR (SL)
* 207	6600843	HANDLE CLAMP	1	FOR (SL)
* 208	6600841	THROTTLE LEVER	1	FOR (SL)
* 209	6600842	SPRING (C)	1	FOR (SL)
* 210	6600849	CONNECTION LEVER	1	FOR (SL)
* 211	6600847	SPRING (D)	1	FOR (SL)
* 212	6600846	TRIGGER LOCKOUT	1	FOR (SL)
* 213	6600848	SPRING (E)	1	FOR (SL)
* 214	6600840	THROTTLE WIRE COMP.	1	FOR (SL)
* 215	6600845	HANDLE (A)	1	FOR (SL)
* 216	6600844	SCREW (W/WASHERS) M5 X 30	1	FOR (SL)
* 217	6601330	LIMIT RING	2	FOR EUROPE (SL)
* 218	6600821	LOOP HANDLE RUBBER	1	FOR (SL)
* 219	6600818	HANGER ASS'Y	1	INCLUD.220,221 FOR EUROPE
* 220	6600838	HANGER CLAMP	1	FOR EUROPE
* 221	6600837	HANGER	1	FOR EUROPE
* 222	6600813	HEX. HOLE BUTTON BOLT M6 X 25	2	FOR EUROPE
* 223	6600812	COVER BRACKET	1	FOR EUROPE
* 224	6685061	LEVEL MARK	1	FOR USA,CAN
* 225	6600815	HEX. HOLE BUTTON BOLT M6 X 20	2	FOR USA,CAN
* 226	6600450	CAUTION MARK	1	FOR EUROPE
* 226	6600447	CAUTION MARK (USA)	1	FOR USA,CAN
* 227	6600814	COVER BRACKET (US)	2	FOR USA,CAN
* 228	6601305	LEVEL MARK (A)	1	EXCEPT FOR (S)
229	6600816	MAIN PIPE	1	
230	6600817	DRIVE SHAFT	1	

PARTS

CG 23ECP

ITEM NO.	CODE NO.	DESCRIPTION	NO. USED	REMARKS
*	231	6601299	GUARD	1 FOR EUROPE
*	232	6601333	COVER GUARD (EU)	1 FOR EUROPE
*	233	6601301	TAPPING SCREW D4 X 12	1 FOR EUROPE
*	234	6601302	KNIFE	1 FOR EUROPE
*	235	949554	NUT M4 (10 PCS.)	2 FOR USA,CAN
*	236	6696584	KNIFE	1 FOR USA,CAN
*	237	6696583	GUARD	1 FOR USA,CAN
*	238	323210	BOLT WASHER M4 (BLACK)	2 FOR USA,CAN
*	239	6685068	MACHINE SCREW (W/SP. WASHER) M4 X 12	2 FOR USA,CAN

STANDARD ACCESSORIES

ITEM NO.	CODE NO.	DESCRIPTION	NO. USED	REMARKS
	501	6600574	BOX SPANNER 16 X 17MM	1
	502	944458	HEX. BAR WRENCH 4MM	1
*	503	6600578	CUTTER COVER	2 FOR (S)
*	504	6600577	BLADE 255 X 3T	1 FOR (S)
	505	6600863	TOOL BAG (N)	1
	506	6600576	SAFETY GLASSES	1
*	507	6600579	HANGING STRAP (S)	1 FOR EUROPE (SL)
*	508	6600580	HANGING STRAP (DE)	1 FOR EUROPE (S)