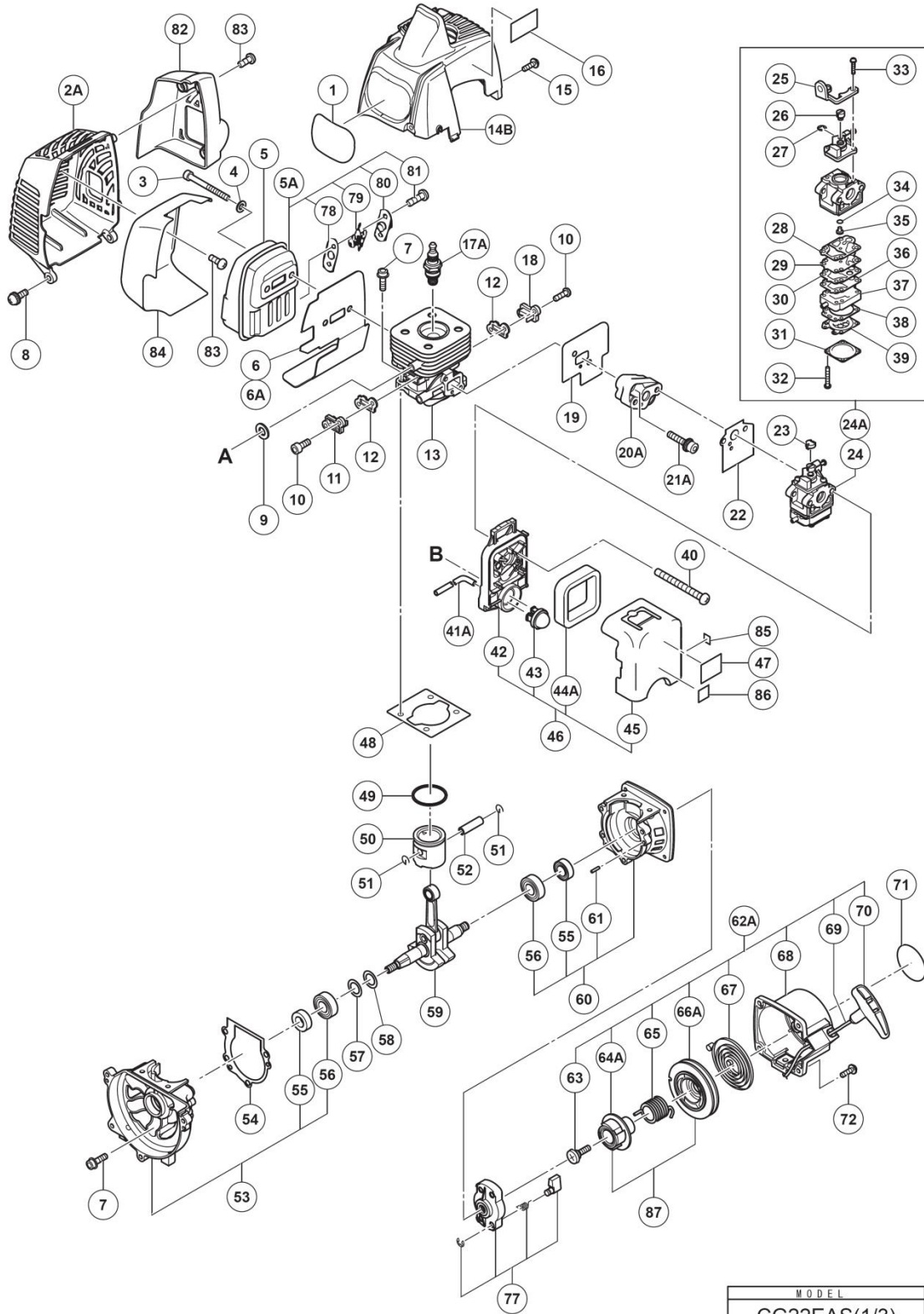
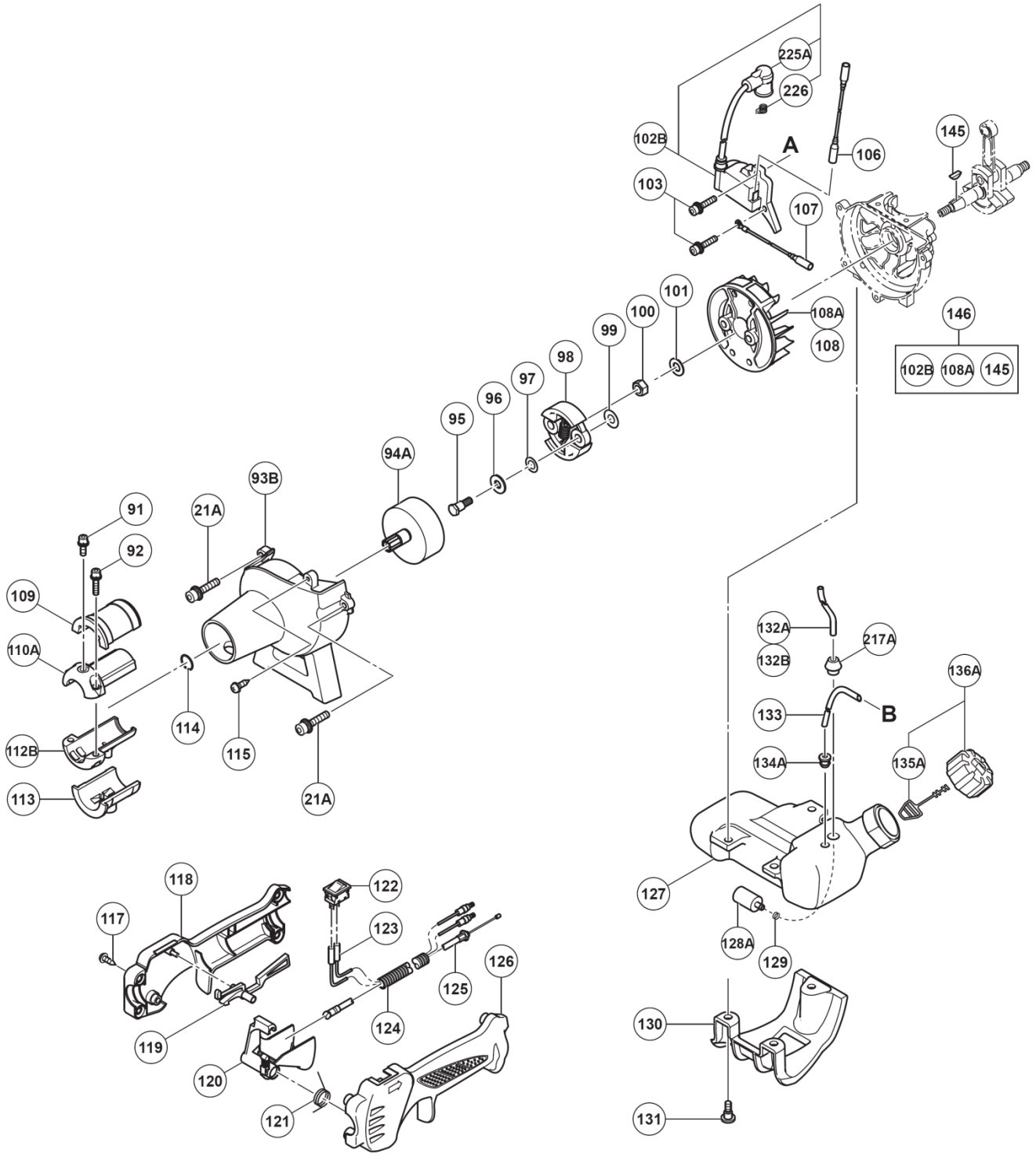


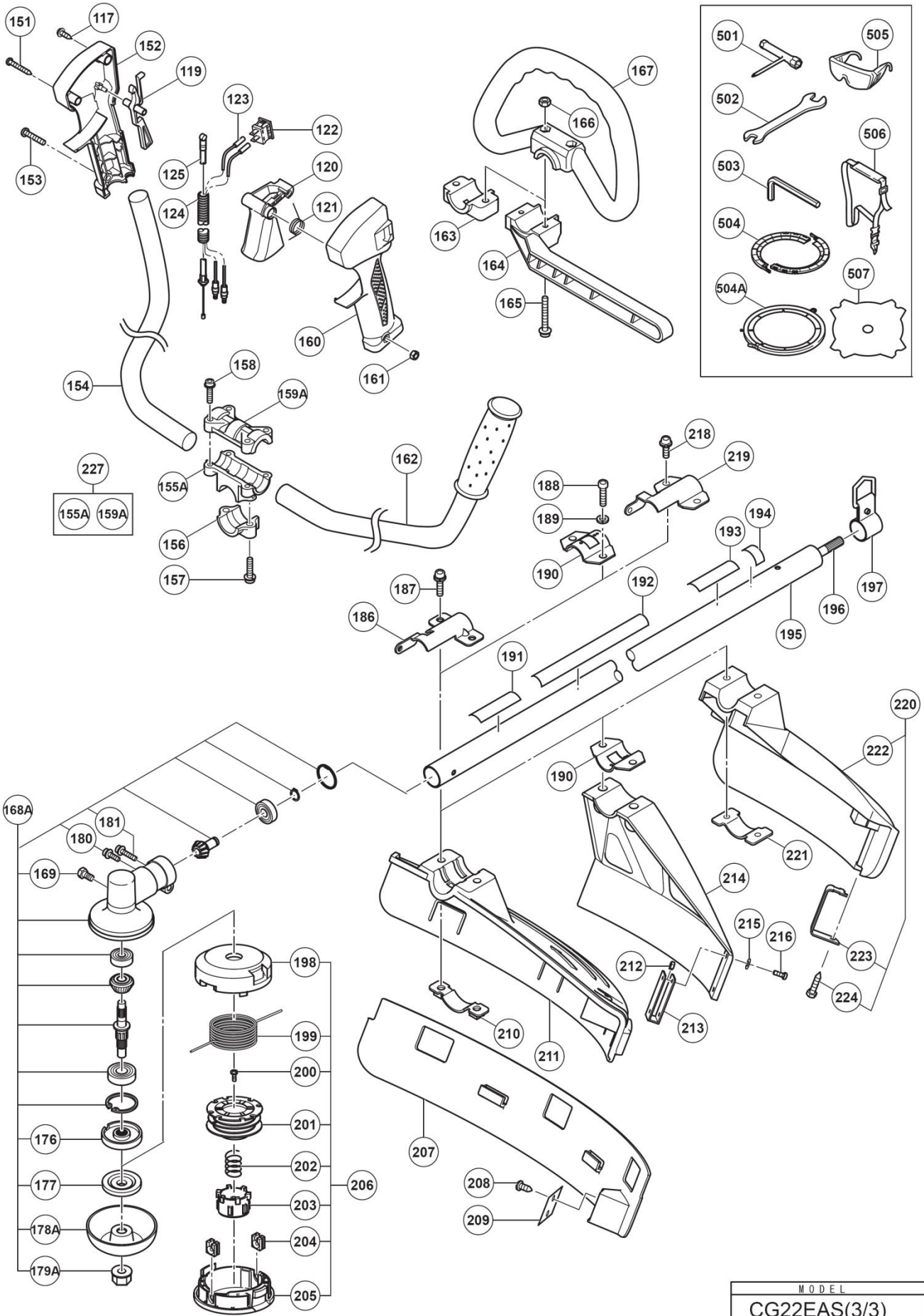
ENGINE TOOL PARTS LIST

ENGINE GRASS TRIMMER
Model CG 22EASSLP

2016 • 08 • 11
(E1b)







Rev.7

MODEL
CG22EAS(3/3)

PARTS

CG22EASSLP

ITEM NO.	CODE NO.	DESCRIPTION	NO. USED	REMARKS
1		HITACHI LABEL	1	
2A	6600338	MUFFLER PROTECTOR	1	
*2A	6600337	MUFFLER PROTECTOR	1	SINCE 11.2013 FOR EUROPE.USA.CAN
3	6684638	HEX. HOLE BOLT M6X55	2	
4	949432	BOLT WASHER M6 (10 PCS.)	2	
*5	6696570	MUFFLER	1	
*5	6696554	MUFFLER	1	FOR EUROPE (SLP.SP).USA (SLP).CAN(SLP)
5A	6698477	MUFFLER	1	INCLUD.78-81 FOR AUS (SL.S).NZL (SL.S)
6	6696553	HEAT PROTECTION PANEL	1	
6A	6600320	HEAT PROTECTION PANEL	1	SINCE 11.2013 FOR EUROPE.USA.CAN
7	6684586	HEX.HOLE BOLT M5X18/S	8	
8	887021	SCREW (W/WASHERS) M5X16 (BLACK)	2	
9	6684600	WASHER T1.6	2	FOR EUROPE (SLP.SP).USA (SLP).CAN (SLP)
10	6684595	HEX. SOCKET HD. BOLT (W/SP.WASHER) M4X12	4	
11	6696536	INTAKE COVER (B)	1	
12	6696534	COVER PACKING	2	
13	6696527	CYLINDER	1	
*14B	6600424	CYLINDER COVER	1	
*14B	6600425	CYLINDER COVER	1	FOR USA (SLP).CAN (SLP)
15	307606	MACHINE SCREW (W/WASHERS) M4X20 (BLACK)	2	
16		CAUTION MARK	1	
*17A	6699322	SPARK PLUG ASS'Y CJ6	1	
*17A	6699316	SPARK PLUG ASS'Y BMR7A	1	FOR EUROPE (SLP.SP).RUS (SL.S).
*17A	6699316			AUS (SL.S).NZL (SL.S).CHN (SL.S)
18	6696535	INTAKE COVER (A)	1	
19	6696548	INTAKE PACKING	1	
20A	6698387	CARBURETOR INSULATOR	1	
21A	6698844	SEAL LOCK HEX. SOCKET BOLT (W/WASHERS)M5	5	
22	6684616	CARBURETOR PACKING	1	
23	6684628	SWIVEL CAP	1	
24	6696550	CARBURETOR ASS'Y WYC-22	1	INCLUD.25-39
24A	6698474	CARBURETOR ASS'Y WYC-28	1	INCLUD.25-39 FOR AUS.NZL
25	6699287	CABLE ADJUST STAY	1	
26	6696830	SWIVEL	1	
27	6684696	STOP RING	1	
28	6684692	PUMP GASKET	1	
29	6684693	PUMP DIAPHRAGM	1	
30	6691242	PUMP PLATE	1	
31	6685222	DIAPHRAGM COVER-METERING	1	
32	6691312	SET SCREW	4	
33	6696829	SET SCREW M3X12	2	
34	6684695	O-RING	1	
35		JET	1	
36	6691234	CIRCUIT PLATE	1	
37	6696828	PUMP BODY COMP.	1	
38	6685220	DIAPHRAGM PACKING-METERING	1	
39	6684690	METERING DIAPHRAGM	1	
40	307224	MACHINE SCREW (W/WASHERS) M5X60 (BLACK)	2	
41A	6698720	FUEL PIPE	1	
42	6696832	AIR CLEANER HOUSING	1	
43	6685139	PRIMING PUMP COMP.	1	
44A	6600704	CLEANER SPONGE	1	
45	6696831	AIR CLEANER COVER	1	
46	6696549	AIR CLEANER ASS'Y	1	INCLUD.42-45
47		START LABEL (A)	1	FOR USA (SLP).CAN (SLP)
48	6696530	CYLINDER PACKING	1	
49	6696532	PISTON RING	1	
50	6696531	PISTON	1	
51	6684590	CIR CLIP	2	
52	6696944	PISTON PIN	1	
53	6696538	CRANK CASE (B) COMP	1	INCLUD.55.56
54	6696539	CRANK CASE PACKING	1	
55	6684607	OIL SEAL TB 12227	2	
56	6684608	BALL BEARING 6001 C3	2	
57	6696946	SHIM T0.2	1	

Parts

CG22EASSLP

ITEM NO.	CODE NO.	DESCRIPTION	NO. USED	REMARKS
58	6696945	SHIM T0.3	1	
59	6696533	CRANK SHAFT COMP.	1	
60	6696537	CRANK CASE (A) ASS'Y	1	INCLUD.55.56.61
61	6695521	KNOCK PIN 4X12	2	
62A	6699995	RECOIL STARTER BODY ASS'Y	1	INCLUD.63-70
63	6684679	SET SCREW	1	
64A	6699996	CAM PLATE	1	SINCE 9.2013
65	6684677	DAMPER SPRING	1	
66A	6699997	STARTER ROPE REEL	1	SINCE 9.2013
67	6684675	RECOIL SPRING	1	
68	6684673	RECOIL STARTER BODY COMP.	1	
69	6684674	STARTER ROPE 3.5X860	1	
70	6684680	STARTER HANDLE	1	
71		NAME PLATE	1	
72	993539	MACHINE SCREW (W/WASHERS) M4X16	2	
77	6684681	STARTER PULLEY ASS'Y	1	
78	6684650	MUFFLER SPECIAL GASKET	1	FOR AUS (SL.S).NZL (SL.S)
79	6684652	SPARK ARRESTOR	1	FOR AUS (SL.S).NZL (SL.S)
80	6685047	EXHAUST PIPE	1	FOR AUS (SL.S).NZL (SL.S)
81	6685068	MACHINE SCREW (W/SP. WASHER) M4X12	2	FOR AUS (SL.S).NZL (SL.S)
82	6600339	MUFFLER REAR COVER	1	SINCE 11.2013
83	6600325	TAPPING SCREW D4X10	5	SINCE 11.2013
84	6600340	MUFFER HEAT COVER	1	SINCE 11.2013
85	6600327	MARK PLATE (T)	1	SINCE 11.2013 FOR EUROPE
86	6699000	PRIMER LABEL	1	SINCE 11.2013 FOR EUROPE
87	6699691	CAMPLATE ASS'Y	1	INCLUD.64A.66A TILL 8.2013
91	6684667	HEX.HOLE BOLT M5X12/S	1	
92	305583	HEX. SOCKET HD. BOLT (W/SP.WASHER) M5X20	2	
*93B	6699159	FAN CASE (VERMILION)	1	
*93B	6699160	FAN CASE (LIGHT GREEN)	1	FOR USA (SLP).CAN (SLP)
94A	6699199	CLUTCH SHAFT	1	
95	6696469	STEP BOLT	2	
96	6684648	BENT WASHER 8	2	
97	6696546	CLUTCH PLATE (A)	2	
98	6696948	CLUTCH	1	
99	6696547	CLUTCH WASHER (B)	2	
100	6685337	FLYWHEEL NUT	1	
101	323212	BOLT WASHER M8 (BLACK)	1	
102B	6699464	IGNITION COIL ASS'Y	1	INCLUD.225.226 SINCE 8.2013
103	6684599	HEX. HOLE BOLT M4X18/WS	2	
106	6696544	CORD	1	
107	6696545	EARTH CORD	1	
108	6696928	MAGNETO ROTOR COMP.	1	TILL 7.2013
108A	6699289	MAGNETO ROTOR	1	SINCE 8.2013
109	6696963	ANTI VIBE RUBBER (A)	1	
110	6696542	PIPE HOLDER (A)	1	
110A	6698643	PIPE HOLDER (A)	1	FOR AUS.NZL.GBR.DEN.FIN.NOR.RUS.AUT
112	6696543	PIPE HOLDER (B)	1	
112B	6698644	PIPE HOLDER (B)	1	FOR AUS.NZL.GBR.DEN.FIN.NOR.RUS.AUT
113	6696964	ANTI VIBE RUBBER (B)	1	
114	939542	RETAINING RING FOR D12 SHAFT (10 PCS.)	1	
115	6684636	TAPPING SCREW D4.5X16	1	
117	305812	TAPPING SCREW (W/FLANGE) D4X16 (BLACK)	4	
*118	6696942	HANDLE (B)	1	
*118	6696487	HANDLE (B)	1	FOR EUROPE (SLP).RUS (SL).AUS (SL).
*119	6696490	LOCK LEVER	1	FOR EUROPE (SLP.SP).RUS (SL.S).
120	6696488	LEVER	1	
121	6696489	SPRING (A)	1	
122	6696940	STOP SWITCH	1	
*123	6696491	STOP SWITCH CORD	2	FOR (SL).(SLP)
*123	6696592	STOP SWITCH CORD	2	FOR (S).(SP)
*124	6696967	PROTECTION TUBE	1	FOR (SL).(SLP)
*124	6696594	PROTECTION TUBE	1	FOR (S).(SP)
*125	6696560	THROTTLE WIRE COMP.	1	FOR (SL).(SLP)
*125	6696593	THROTTLE WIRE COMP.	1	FOR (S).(SP)

Parts

CG22EASSLP

ITEM NO.	CODE NO.	DESCRIPTION	NO. USED	REMARKS
*126	6696941	HANDLE (A)	1	
*126	6696486	HANDLE (A)	1	FOR EUROPE (SLP).RUS (SL).AUS (SL).
127	6696569	TANK	1	
*127	6696552	TANK	1	FOR USA (SLP).CAN (SLP)
128A	6600351	PUMP FILTER	1	
129	6696949	CLIP	1	
130	6696556	STAND	1	FOR USA (SLP).CAN (SLP).RUS (SL.S)
*131	6696574	BOLT (W/FLANGE) L17.8	3	
*131	6696557	FLANGE BOLT	3	FOR USA (SLP).CAN (SLP).RUS (SL.S)
132A	6698716	FUEL PIPE	1	
132B	6698932	FUEL PIPE L180	1	FOR USA.CAN
133	6696476	FUEL PIPE (PINK)	1	
134A	6697846	RETURN GROMMET	1	
*135A	6698732	TANK CAP CHAIN	1	FOR EUROPE (SLP.SP). USA (SLP) CAN (SLP)
136A	6698402	FUEL TANK CAP ASS'Y	1	INCLUD.135A
145	6684899	WOODRUFF KEY 3X13X4.5	1	SINCE 8.2013
146	6699463	MAGNETO KEY SET	1	INCLUD.102B.108A.145 TILL 7.2013
*151	323837	TAPPING SCREW (W/FLANGE) D4X30	1	FOR EUROPE (SP).RUS (S).MEX (S).AUS (S).
*152	6696591	HANDLE (B)	1	
*152	6696590	HANDLE (B)	1	FOR EUROPE (SP).AUS (S).NZL (S).CHN (S).
*152	6696590			RUS (S)
*153	323041	MACHINE SCREW M5X30 (BLACK)	1	FOR EUROPE (SP).RUS (S).MEX (S).AUS (S).
*154	6696585	HANDLE RIGHT	1	FOR EUROPE (SP).RUS (S).MEX (S).AUS (S).
*155A	6600501	HANDLE HOLDER (B)	1	SINCE 7.2015 FOR EUROPE (SP).RUS (S).
*156	6696578	HANDLE HOLDER (C)	1	FOR EUROPE (SP).RUS (S).MEX (S).AUS (S).
*157	6684714	HEX. HOLE BUTTON SCREW M6X25S	2	FOR EUROPE (SP).RUS (S).MEX (S).AUS (S).
*158	6684709	HEX. HOLE BOLT M5X25/S	4	FOR EUROPE (SP).RUS (S).MEX (S).AUS (S).
*159A	6600500	HANDLE HOLDER (A)	1	SINCE 7.2015 FOR EUROPE (SP).RUS (S).
*160	6696589	HANDLE (A)	1	
*160	6696588	HANDLE (A)	1	FOR EUROPE (SP).AUS (S).NZL (S).CHN (S).
161	302012	NUT M5 (BLACK)	1	
*162	6696595	HANDLE LEFT	1	FOR EUROPE (SP).RUS (S).MEX (S).AUS (S).
163	6696972	HANDLE HOLDER (A)	1	FOR USA (SLP).CAN (SLP).MEX (SL).
*164	6696973	BARRIER	1	FOR EUROPE (SLP).AUS (SL).NZL (SL).
*165	6696974	BOLT (BLACK) M6	2	FOR RUS (SL).USA (SLP). CAN (SLP)
*166	949556	NUT M6 (10 PCS.)	2	FOR USA (SLP). CAN (SLP).MEX (SL).
*167	6696975	LOOP HANDLE	1	FOR USA (SLP). CAN (SLP).MEX (SL)
*168	6696976	GEAR CASE ASS'Y 3BB (B)	1	INCLUD.169.176.180.181 FOR USA (SLP). CAN (SLP)
168A	6699402	GEAR CASE ASS'Y 3BB (A)	1	INCLUD.169.176-178.179A.180.181
169	6684737	BOLT (W/PLUS) M6X8	1	
176	6696977	CUTTER HOLDER (A)	1	
177	6698659	CUTTER HOLDER (B)	1	EXCEPT FOR USA (SLP).CAN (SLP)
178A	6699188	NUT COVER	1	EXCEPT FOR USA (SLP).CAN (SLP)
179A	335759	U-NUT (LEFT HAND) M10	1	EXCEPT FOR USA (SLP).CAN (SLP)
180	6695414	SCREW 5X12/W.S	1	
181	949664	HEX. SOCKET HD. BOLT M5X30 (10 PCS.)	1	
*186	6696494	COVER BRACKET	1	FOR EUROPE (SLP.SP).RUS (SL.S).AUS (S).
*187	6684714	HEX. HOLE BUTTON SCREW M6X25S	2	FOR EUROPE (SLP.SP).RUS (SL.S).AUS (S).
*188	6685064	HEX. SOCKET HD. BOLT (W/BUTTON) M6X20	2	FOR USA (SLP).CAN (SLP).MEX (SL.S).
*189	949455	SPRING WASHER M6 (10 PCS.)	2	FOR USA (SLP).CAN (SLP).MEX (SL.S).
*190	6696978	COVER BRACKET	2	FOR USA (SLP).CAN (SLP).MEX (SL.S).
191		LEVEL MARK	1	FOR USA (SLP).CAN (SLP).MEX (SL.S).
192		CAUTION MARK	1	
*193	6684852	LEVEL MARK	1	FOR USA (SLP). CAN (SLP).
194	6684851	LEVEL MARK	1	
195	6696558	MAIN PIPE COMP.	1	
196A	6698514	DRIVE SHAFT	1	
197	6696493	HANGER	1	EXCEPT FOR USA (SLP).CAN (SLP)
198	6698794	COVER	1	
199		NYLON CORD	1	
200	6698795	SET SCREW	1	
201	6698796	REEL	1	
202	6698797	RETURN SPRING	1	
203	6698798	BUTTON	1	

