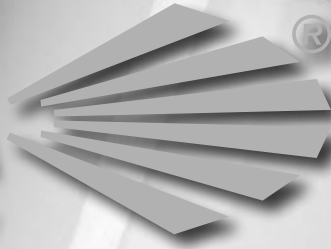


SAGOLA

an Elcometer company



41000 SERIES XX



For Industrial refinish jobs

MADE IN
SPAIN

w w w . s a g o l a . c o m

NEW X 4100 SERIES

Sagola introduces its **new X 4100 Series** for industrial painting. Keeping the quality standards of its predecessor the 4100 Xtreme, but adding new features that make it the perfect tool for high-demand series operations in terms of **finish quality, robustness and ergonomics**.

X4100 SERIES

GRAVITY

PRESSURE

SUCTION



ERGONOMICS

- **Size reduction:** The dimensions reduction improves the handling of the gun to ease the access to difficult areas.
- **Weight reduction:** The great reduction of weight reduces the fatigue of the painter.
- **Ergonomic improvement:** Redefinition of gun's gravity center. Improvement of size and points of support to achieve a perfect hand fit and a fatigue reduction in series works.



NEW X 4100 SERIES

The **SOFT FLOW** air valves is incorporated into the whole family, giving a **feeling of control and extreme smoothness** on the trigger at any range of inlet air pressure.

SOFT FLOW

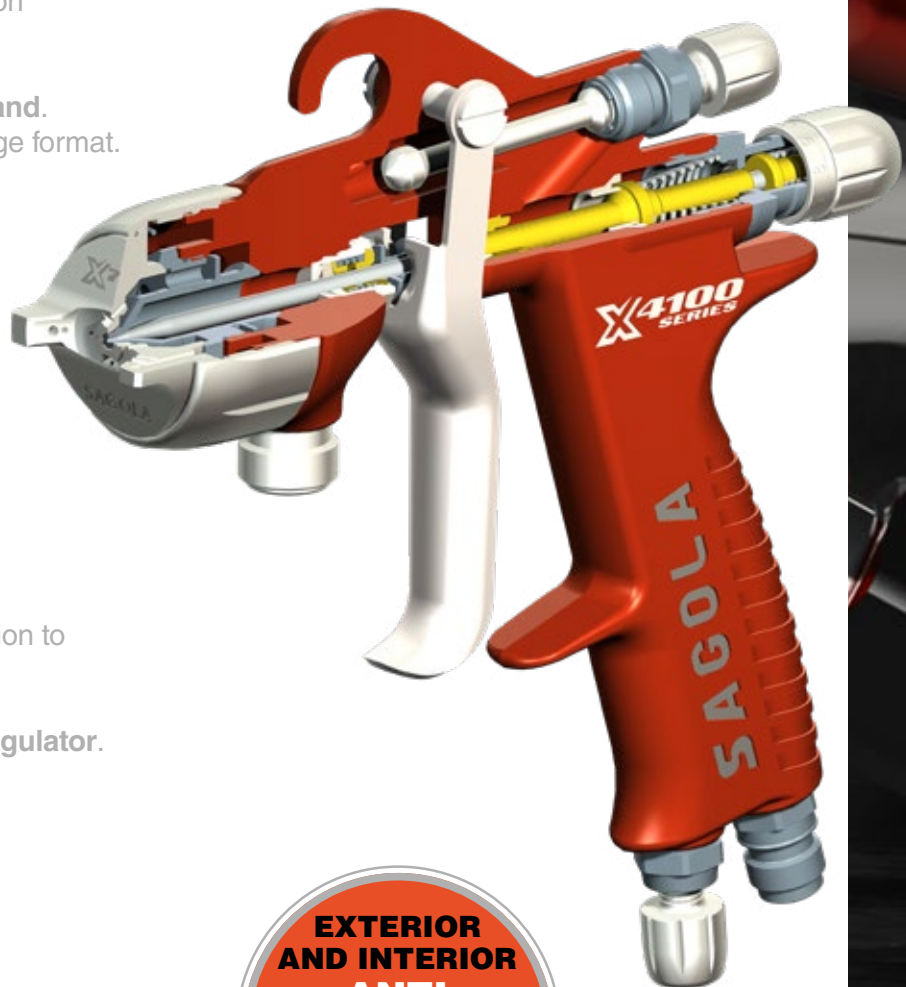


EASE OF USE AND QUALITY

Unification of spare parts between gravity, suction and pressure versions. Storage costs **reduction** for those industries that use several.

And the already known advantages:

- Forged and anodized aluminum **body**. Great robustness and high corrosion protection.
- High durability **self-adjusting gland**. Stainless steel body in quick-change format.
- Anodized aluminum **aircaps** (corrosion free) of great resistance and durability. Ideal for aggressive environments.
- **Trigger and axis** 100% made of stainless steel (Ultra-ergonomic design)
- **Air inlet regulator** ideal for quick adjustment.
- **Product regulator** Great precision to adjust the product flow.
- High precision progressive **fan regulator**.
- Stainless steel **air inlet** 1/4".



**EXTERIOR
AND INTERIOR
ANTI
CORROSIVE
TREATMENT
THROUGHOUT
THE GUN**

FUNCTIONAL ADVANTAGES

SAGOLA
an Elcometer company

X 4100 SERIES TECHNICAL DATA

TECHNICAL DATA



Gravity

Pressure

Suction

Weight (with cup)	692 g	-	920 g	
Weight (without cup)	504 g	524 g	524 g	
Dimensions (with cup)	34.2 x 17.2 x 10.5 cm	-	29.6 x 18.3 x 10.5 cm	
Dimensions (without cup)	17.3 x 17.2 x 4.2 cm	18.2 x 17.2 x 4.2 cm	18.2 x 17.2 x 4.2 cm	
Air inlet coupling	BSP 1/4" M	BSP 1/4" M	BSP 1/4" M	
Product inlet coupling	BSP 1/4" M	BSP 3/8" M	BSP 3/8" M	
Cup/deposit capacity	650 ml.	-	1.000 ml.	
Paint filter	100 mesh	-	-	
Maximum air pressure	8 bar	8 bar	8 bar	
Recommended maximum air pressure	2 - 2.5 bar	2 - 3 bar	2 - 3 bar	
Materials in contact with the product	Stainless steel, POM, Teflon, Nylon and Tungsten Carbide			
Recommended application distance	EPA	18 - 20 cm	18 - 20 cm	18 - 20 cm
	HVLP	12 - 15 cm	15 - 20 cm	-
	Conventional	20 - 25 cm	20 - 25 cm	18 - 22 cm

• Application of all types of paints and sprayable products:

- dyes
- metallized
- enamels
- primers
- adhesives
- abrasive products
- ceramics
- forge effect
- textured
- ...

Quality finishes on large surfaces

X 4100 SERIES TECHNICAL DATA



TECHNICAL DATA

Aircap	System	Nozzle	Paint flow output	Air consumption	Fan size
X96	GRAVITY	1.30	177 g/min. (6.2 oz/min.)	250 L/min. 8.8 cfm	260 mm.
		1.40	178 g/min. (6.3 oz/min.)		270 mm.
		1.60	216 g/min. (7.6 oz/min.)		310 mm.
		1.80	293 g/min. (10.3 oz/min.)		380 mm.
	SUCTION	1.40	168 g/min. (5.9 oz/min.)	280 L/min. 9.9 cfm	235 mm.
		1.60S	235 g/min. (8.3 oz/min.)		295 mm.
X64S	SUCTION	2.20	300 g/min. (10.6 oz/min.)	310 L/min. 10.9 cfm	280 mm.
	GRAVITY	2.20	290 g/min. (10.2 oz/min.)	305 L/min. 10.8 cfm	280 mm.
XTO1	GRAVITY	1.30	171 g/min. (6 oz/min.)	235 L/min. 8.3 cfm	250 mm.
		1.40	175 g/min. (6.2 oz/min.)		255 mm.
		1.60	209 g/min. (7.4 oz/min.)		285 mm.
	SUCTION	1.40	175 g/min. (6.2 oz/min.)	295 L/min. 10.4 cfm	255 mm.
		1.60S	241 g/min. (8.5 oz/min.)		305 mm.
		1.80	234 g/min. (8.2 oz/min.)		295 mm.
XTO1B	PRESSURE	1.00		295 L/min. 10.4 cfm	
		1.20			
		1.40			
XVIT^{SUPER}	PRESSURE	1.00		380 L/min. 13.4 cfm	
		1.20			
		1.30			
		1.40			
XTO3	GRAVITY	1.30	139 g/min. (4.9 oz/min.)	465 L/min. 16.4 cfm	240 mm.
		1.40	143 g/min. (5 oz/min.)		245 mm.
		1.60	165 g/min. (5.8 oz/min.)		270 mm.
		1.80	202 g/min. (7.1 oz/min.)		295 mm.
	PRESSURE	1.00		460 L/min. 16.2 cfm	
		1.20			
X3030	PRESSURE	1.20		514 L/min. 18.2 cfm	
		1.40			
X777	PRESSURE	1.00		345 L/min. 12.2 cfm	
		1.20			
X765	PRESSURE	1.00		315 L/min. 11.1 cfm	
		1.20			
X20A	PRESSURE	1.00		430 L/min. 15.2 cfm	
		1.80			

Both the product contribution and the fan size in the pressure guns are directly related to the product pressure set by the user, the product viscosity and the characteristics of the hose. Therefore, a reference value cannot be established.



TECHNICAL DATA



X 4100 SERIES VERSIONS

GUN VERSIONS

X4100
SERIES



Aircap	Busse	X4100 SERIES Gravity	X4100 SERIES Pressure	X4100 SERIES Suction
X96	1.30	101 420 12		
	1.40	101 420 01		101 210 01
	1.60	101 420 02		101 210 02
	1.60S			101 210 06
	1.80	101 420 03		101 210 03
X64S	2.20	101 420 11		
XT01	1.30	101 420 04		
	1.40	101 420 05		
	1.60	101 420 06		101 210 04
	1.60S			101 210 07
XT01B	1.80			101 210 05
	1.00		101 524 08	
	1.20		101 524 09	
XVIT^{SUPER}	1.40		101 524 10	
	1.00		101 524 13	
	1.20		101 524 14	
	1.30		101 524 15	
XT03	1.40		101 524 16	
	1.00		101 524 06	
	1.20		101 524 07	
	1.30	101 420 07		
	1.40	101 420 08		
X3030	1.60	101 420 09		
	1.60S			
	1.80	101 420 10		
X777	1.20		101 524 11	
	1.40		101 524 12	
X765	1.00		101 524 04	
	1.20		101 524 05	
	1.40		101 524 01	
X20A	1.20		101 524 02	
	1.40		101 524 03	
	1.80		101 524 17	

X 4100 SERIES APPLICATIONS

APPLICATIONS



INDUSTRIAL BODYSHOP			
APPLICATION	SPRAY GUN	AIRCAP	NOZZLE
WASHPRIMERS	X 4100 PRESSURE	XT03	1.20
		SUPER VIT	1.20
TEXTURED INTERIORS	X 4100 PRESSURE	XT03	1.40
		3030	1.40
SANDING PRIMERS	X 4100 SUCTION	XT01	1.80
	X 4100 GRAVITY	XT03	1.80
	X 4100 PRESSURE	XT03	1.20
BASECOATS	X 4100 SUCTION	XT01	1.80
	X 4100 GRAVITY	96	1.30
	X 4100 PRESSURE	765	0.80 - 1.00
CLEARCOATS/ SINGLE STAGE	X 4100 SUCTION	96	1.40 - 1.60
	X 4100 GRAVITY	96	1.30 - 1.40
	X 4100 PRESSURE	777	1.00 - 1.20
	X 4100 SUCTION	96	1.60

WOOD INDUSTRY			
APPLICATION	SPRAY GUN	AIRCAP	NOZZLE
LACQUERS AND VARNISHES	X 4100 GRAVITY	96	1.40 - 1.60
		XT01	1.40 - 1.60
	X 4100 SUCTION	96	1.60S - 1.80
		XT01	1.60S - 1.80
DYES	X 4100 PRESSURE	XT01 B	1.20
		X 4100 GRAVITY	XT03
	X 4100 SUCTION	XT01	1.30
		96	1.40
	X 4100 PRESSURE	XT01	1.40
		XT03	0.80 - 1.00
PRIMERS AND FILLERS	X 4100 PRESSURE	XT01 B	0.80 - 1.00
		X 4100 GRAVITY	XT03
	X 4100 SUCTION	XT01	1.60 - 1.80
		XT01	1.80
	X 4100 PRESSURE	XT03	1.20 - 1.40
		XT01 B	1.20 - 1.40

APPLICATIONS



X 4100 SERIES APPLICATIONS

APPLICATIONS



METAL INDUSTRY

APPLICATION	SPRAY GUN	AIRCAP	NOZZLE
PHOSPHATANTS	X 4100 SUCTION	XT01	1.60 - 1.80
	X 4100 PRESSURE	XT03	1.20 - 1.40
		XT01 B	1.20 - 1.40
	X 4100 GRAVITY	XT01	1.40 - 1.60
		XT03	1.60
	PRIMER	X 4100 SUCTION	XT03
X 4100 PRESSURE		XT03	1.40
		XT01 B	1.40
X 4100 GRAVITY		XT01	1.60 - 1.80
		XT03	1.80
CLEARCOATS/ SINGLE STAGE		X 4100 PRESSURE	777
	765		1.00 - 1.20
	X 4100 GRAVITY	96	1.30 - 1.40
	X 4100 SUCTION	96	1.40 - 1.60



NAUTICAL INDUSTRY

APPLICATION	SPRAY GUN	AIRCAP	NOZZLE
ANTI-CORROSIVE PRIMER	X 4100 SUCTION	XT01	1.80
	X 4100 PRESSURE	XT03	1.40
	X 4100 GRAVITY	XT01	1.60 - 1.80
GELCOAT	X 4100 GRAVITY	62S	2.80
	X 4100 PRESSURE	64	2.20
ANTIFOULING	X 4100 SUCTION	XT01	1.80
	X 4100 PRESSURE	XT03	1.40
	X 4100 GRAVITY	XT03	1.60 - 1.80
ANTI-CORROSIVE PRIMER	X 4100 SUCTION	96	1.60
	X 4100 PRESSURE	777	1.00 - 1.20
	X 4100 GRAVITY	96	1.30 - 1.40

X 4100 SERIES SPARE PARTS

NOZZLE & NEEDLE KIT



X 41 series nozzle and needle kits are compatible between the three versions of guns: gravity, pressure and suction.

Made of stainless steel.



Nozzle & Needle kit

Nozzle & Needle kit (X series 41) 0.80	100 112 51
Nozzle & Needle kit (X series 41) 1.00	100 112 52
Nozzle & Needle kit (X series 41) 1.20	100 112 53
Nozzle & Needle kit (X series 41) 1.30	100 111 21
Nozzle & Needle kit (X series 41) 1.40	100 111 22
Nozzle & Needle kit (X series 41) 1.60	100 111 23
Nozzle & Needle kit (X series 41) 1.60S	100 111 55
Nozzle & Needle kit (X series 41) 1.80	100 111 24
Nozzle & Needle kit (X series 41) 2.00	100 111 25
Nozzle & Needle kit (X series 41) 2.20	100 111 26
Nozzle & Needle kit (X series 41) 2.50	100 111 27
Nozzle & Needle kit (X series 41) 2.80	100 111 28

Tungsten Carbide Versions:

Nozzle & Needle kit (X series 41) 1.20 C.T.	100 101 29
Nozzle & Needle kit (X series 41) 1.40 C.T.	100 101 30
Nozzle & Needle kit (X series 41) 1.50 C.T.	100 101 31
Nozzle & Needle kit (X series 41) 1.80 C.T.	100 101 32
Nozzle & Needle kit (X series 41) 2.20 C.T.	100 101 33
Nozzle & Needle kit (X series 41) 2.80 C.T.	100 101 34



NOZZLE & NEEDLE KIT



X 4100 SERIES SPARE PARTS

AIRCAPS

X4100
SERIES

			
AIRCAP	X96	X64S	XT01
CODE	564 185 73	564 185 75	564 185 65
			
AIRCAP	XT01B	Xvii^{SUPER}	
CODE	564 185 64	564 187 02	
			
AIRCAP	XT03	X3030	
CODE	564 185 66	564 185 72	
			
AIRCAP	X777	X765	X20A
CODE	564 185 76	564 185 71	564 185 69

X 4100 SERIES ACCESSORIES

EXTENSIONS

Extension versions for the X 4100 series.

Great variety of buses.

Made of stainless steel.

X4100
SERIES



	<i>Length</i>	<i>Extension</i>
Extension (X 4100 series) Ø 1.00	150 mm.	524 117 21
Extension (X 4100 series) Ø 1.20	150 mm.	524 117 22
Extension (X 4100 series) Ø 1.40	150 mm.	524 117 23
Extension (X 4100 series) Ø 1.00	300 mm.	524 117 24
Extension (X 4100 series) Ø 1.20	300 mm.	524 117 25
Extension (X 4100 series) Ø 1.40	300 mm.	524 117 26
Extension (X 4100 series) Ø 1.20	500 mm.	524 117 27
Extension (X 4100 series) Ø 1.80	500 mm.	524 117 32

ACCESSORIES

650 ml. gravity cup	564 180 85
650 ml. gravity cup with paint filter	564 180 84
1,000 ml. metallic gravity cup	564 180 82
650 ml. X 4100 series gravity Product filter kit (10 units)	564 180 17
1,000 ml. Suction deposit	564 180 74
X 4100 series suction Product filter kit (10 units)	564 180 14
Coupling for disposable cup 3M PPS	557 116 12
Coupling for disposable cup MIPA/CARWOX	557 116 16
Coupling for disposable cup GERSON/NORTON	557 116 14
Coupling for disposable cup FLEXI CUP	557 116 15
Coupling for disposable cup DEVILBISS/DEKUPS	557 116 18
Coupling for disposable cup SATA RPS	557 116 20
Coupling for disposable cup COLAD	557 116 23
Air valve kit X 4100 series	564 186 69
Paint packing nut kit X 4100 series	564 116 16

ACCESSORIES

X4100
SERIES

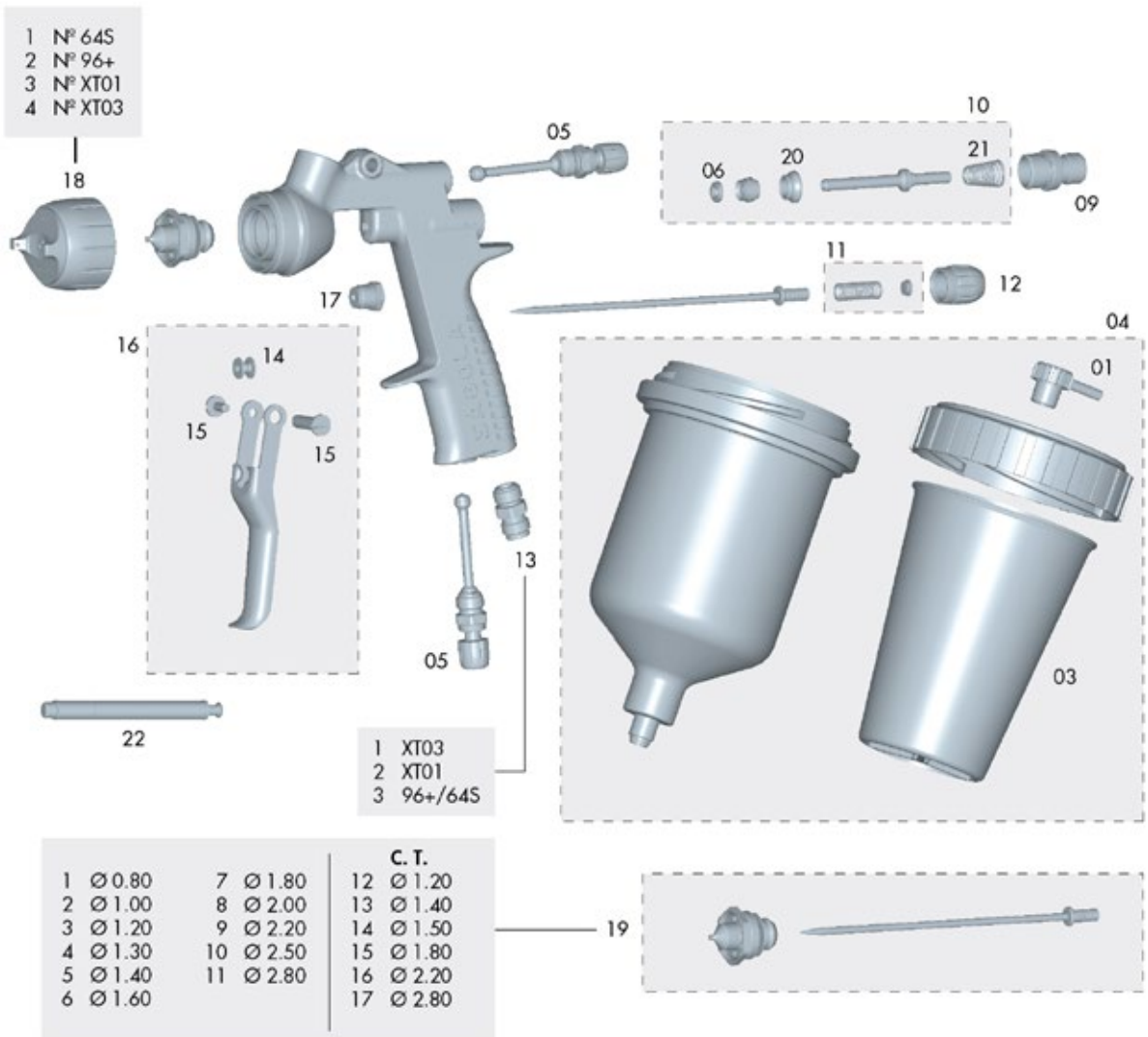
SAGOLA SPARES WARRANTY SERVICE SAGOLA

SAGOLA is committed to high-quality and service. For this reason SAGOLA provides with a warranty spares service for products supplied over the past 10 years.



X4100 SERIES

GRAVITY Version



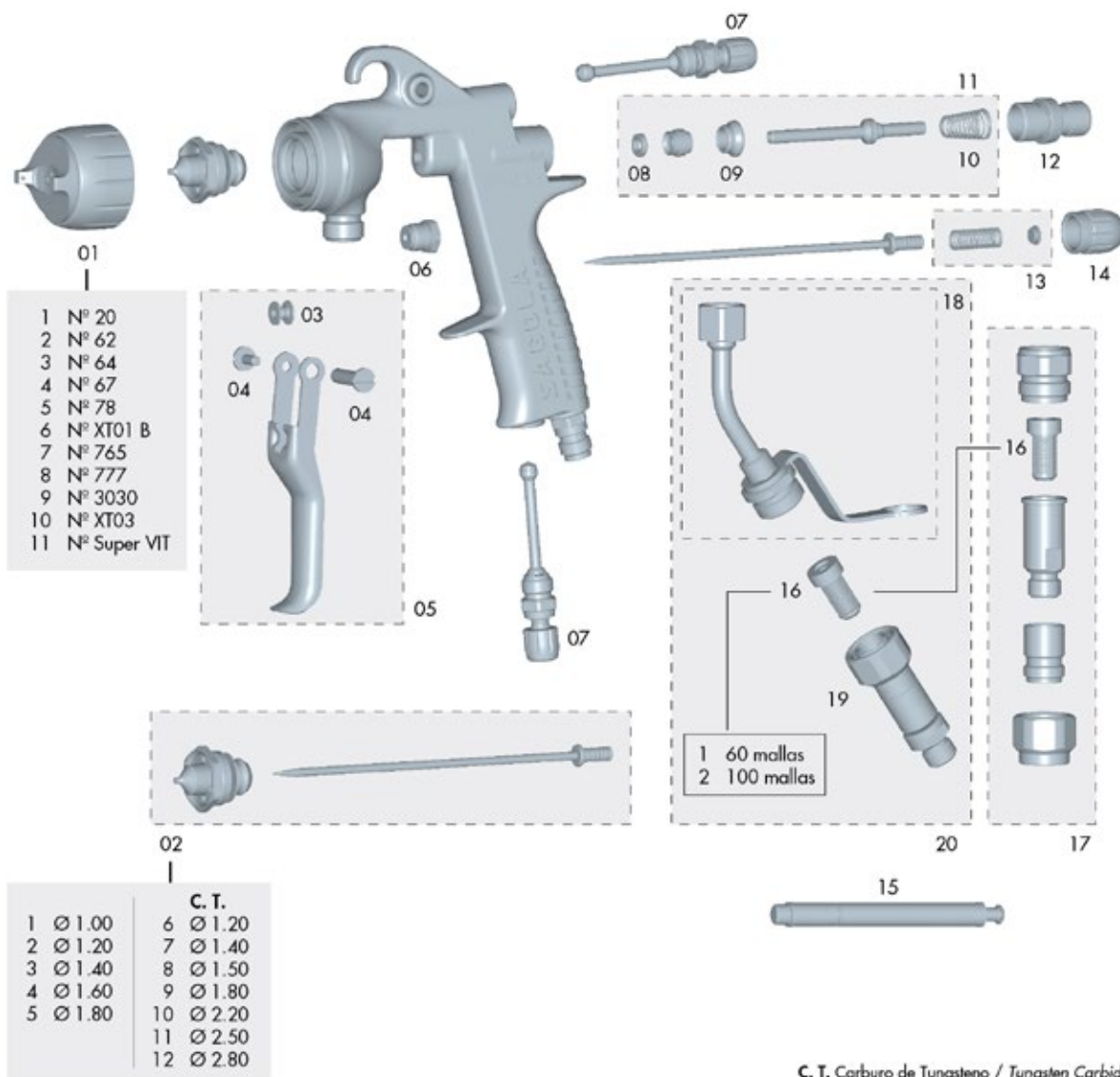
C. T. Carburo de Tungsteno / Tungsten Carbide

Ref.	Code	Ref.	Code	Ref.	Code	Ref.	Code
01	557 121 57	12	578 103 40	19/1	100 112 51	19/13	100 101 30
02	571 115 08	13/1	557 115 91	19/2	100 112 52	19/14	100 101 31
03	564 180 17	13/2	557 115 62	19/3	100 112 53	19/15	100 101 32
04	564 180 84	13/3	557 103 16	19/4	100 111 21	19/16	100 101 33
05	564 152 52	14	519 106 07	19/5	100 111 22	19/17	100 101 34
06	564 184 94	15	564 184 39	19/6	100 111 23	20	541 100 12
07	507 100 18	16	564 184 43	19/7	100 111 24	21	547 103 12
08	547 102 80	17	564 116 16	19/8	100 111 25	22	502 102 14
09/1	564 116 03	18/1	564 185 75	19/9	100 111 26		
09/2	564 116 23	18/2	564 185 73	19/10	100 111 27		
10	564 186 69	18/3	564 185 65	19/11	100 111 28		
11	564 187 16	18/4	564 185 66	19/12	100 101 29		

SAGOLA SPARES WARRANTY SERVICE **SAGOLA**

X4100 SERIES

PRESSURE Version



Ref.	Code	Ref.	Code	Ref.	Code
01/1	564 185 69	02/5	100 111 24	10	547 103 12
01/2	564 185 67	02/6	100 101 29	11	564 186 69
01/3	564 185 70	02/7	100 101 30	12	564 116 23
01/4	564 185 68	02/8	100 101 31	13	564 100 44
01/5	564 185 90	02/9	100 101 32	14	578 103 40
01/6	564 185 64	02/10	100 101 33	15	502 102 14
01/7	564 185 71	02/11	100 101 35	16/1	564 180 54
01/8	564 185 76	02/12	100 101 34	16/2	564 180 53
01/9	564 185 72	03	519 106 07	17	564 180 57
01/10	564 185 66	04	564 184 39	18	564 186 70
01/11	564 187 02	05	564 184 43	19	564 101 10
02/1	100 112 52	06	564 116 16	20	564 186 71
02/2	100 112 53	07	564 152 52		
02/3	100 111 22	08	564 184 94		
02/4	100 111 23	09	541 100 12		

SERVICE / SPARE PARTS

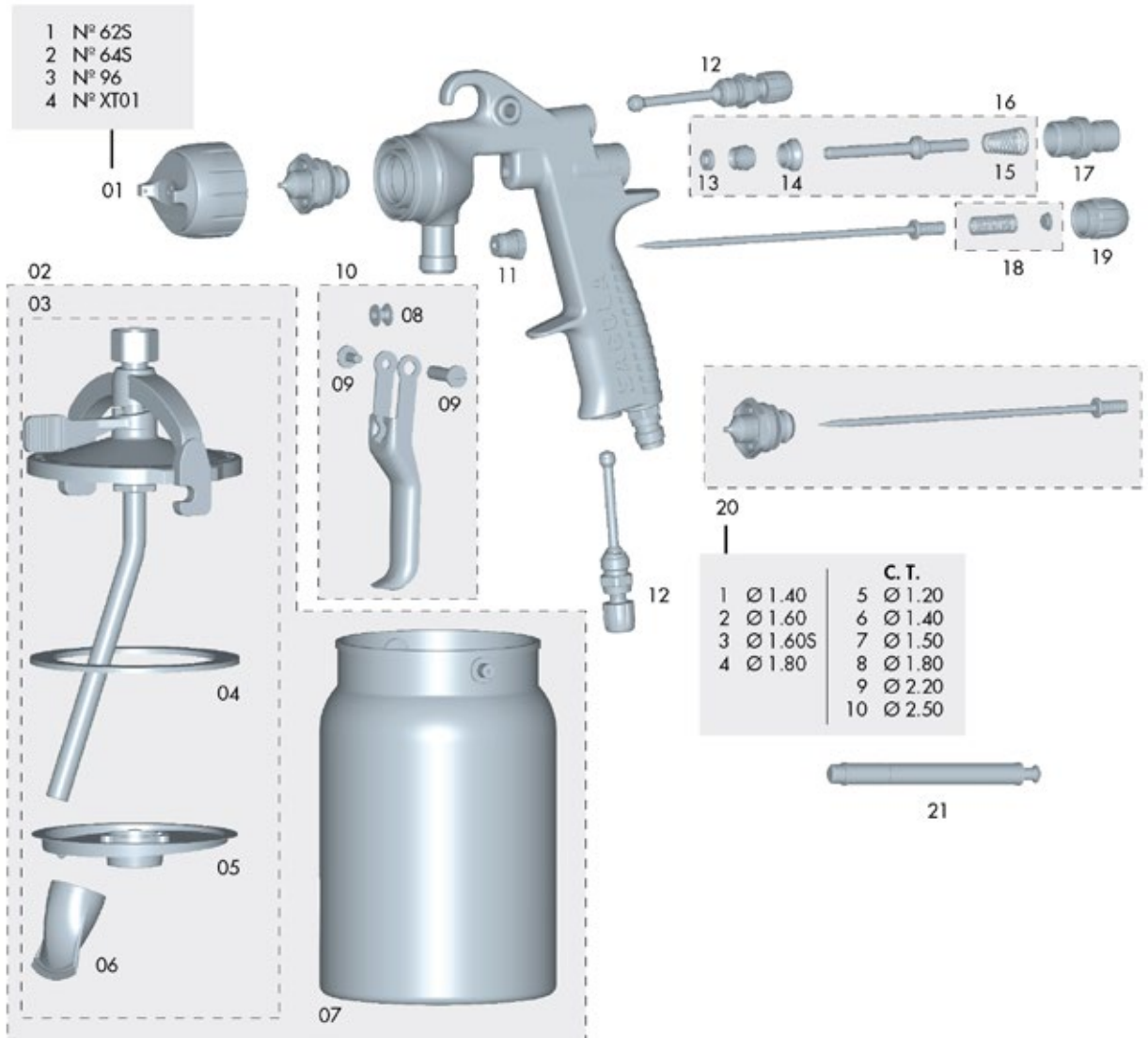
X4100 SERIES

SAGOLA
an Elcometer company

SAGOLA SPARES WARRANTY SERVICE **SAGOLA**

X4100 SERIES

SUCTION Version



C. T. Carburo de Tungsteno / Tungsten Carbide

Ref.	Code	Ref.	Code	Ref.	Code
01/1	564 185 74	13	564 184 94	20/9	100 101 33
01/2	564 185 75	14	541 100 12	20/10	100 101 34
01/3	564 185 73	15	547 103 12	21	502 102 14
01/4	564 185 65	16	564 186 69		
02	564 180 74	17	564 116 23		
03	564 164 02	18	564 100 44		
04	564 185 09	19	578 103 40		
05	564 180 13	20/1	100 111 22		
06	564 180 14	20/2	100 111 23		
07	564 123 20	20/3	100 111 55		
08	519 106 07	20/4	100 111 24		
09	564 184 39	20/5	100 101 29		
10	564 184 43	20/6	100 101 30		
11	564 116 16	20/7	100 101 31		
12	564 152 52	20/8	100 101 32		

COMPLEMENTS SAGOLA

REMEMBER, always use original SAGOLA spare parts & accessories
in order to guarantee the proper operation of your painting equipment.

To guarantee the optimal operation and performance of our guns, always use SAGOLA equipment.

LOW PRESSURE PUMPS

DM 1/300 and DM 1/400 low pressure pumps have been designed to fit the needs of any kind of industry. From small metal, plastic or furniture factories to high performing industrial bodyshops.

Description	Code
DM 1/300 Pneumatic Pump	309 205 01
DM 1/300 Pneumatic Pump. Full Equipment	309 205 99
DM 1/400 Pneumatic Pump	309 204 01
DM 1/400 Pneumatic Pump. Full Equipment	309 204 99



DM 1/300

DM 1/400

PRESSURE POTS

Maximum robustness with bodies made of stainless steel. High precision regulators. With discharge valve.

Description	Code
6110 Inox / 10L Pressure pot	105 407 02
6110 Inox / 10L Pressure pot. Full Equipment	105 407 99
652 Inox / 25L Pressure pot	105 403 20
653 Inox / 50L Pressure pot	105 404 20
Premium 30 / 30L Pressure pot	205 305 20
Classic 30 Inox / 30L Pressure pot	205 307 02



6110 INOX

652/653 INOX
PREMIUM 30

HOSES FOR LOW PRESSURE EQUIPMENT

Anti-static air hose 8x15 mm. Product hose 6x8 mm. with adapter 3/8"



Description	Code
5 m. hose set + cover	564 140 39
7.5 m. hose set + cover	564 140 44
10 m. hose set + cover	564 140 40
15 m. hose set + cover	564 140 41
20 m. hose set + cover	564 140 42

ANTI-STATIC AIR HOSE

Description	Code
6 m. air hose 8x15 mm. F/F 1/4"	564 140 24
11 m. air hose 8x15 mm. F/F 1/4"	564 140 25
16 m. air hose 8x15 mm. F/F 1/4"	564 140 27

PRODUCT HOSE

Description	Code
6 m. product hose 8x16 mm. F/F 3/8"	564 141 16
11 m. product hose 8x16 mm. F/F 3/8"	564 141 17
16 m. product hose 8x16 mm. F/F 3/8"	564 141 15

AIR + PRODUCT HOSE. VISCOSE

Description	Code
10 m. air hose 8 mm. + product hose 10 mm. Coles	564 141 16

MASK OF BREATHING

Mask with double paint filter against organic vapors and solvents.



Mask MP300 148 103 01

LUBRICANT GREASE

Special for the lubrication of the moving parts of the guns.



Lubricant grease 564 185 89

CLEANING KIT

Complete set for cleaning the outside and inside of the guns.



Cleaning kit 400 000 86

COMPLEMENTS

X4100 SERIES

SAGOLA
an Elcometer company

SAGOLA®

an Elcometer company

SAGOLA S.A. will refuse any responsibility for the damage of defects caused by spray guns with a similar appearance to the originals. These guns are imitations that **HAVE NOT BEEN MANUFACTURED BY SAGOLA, S.A.** The SAGOLA S.A. products are exclusively sold through our distributors, with spare parts and a 3-year worldwide guarantee against design and/or manufacturing defects.

ISO CERTIFICATES



SAGOLA S.A. has always displayed the quality of its products with pride, but lately, in view of its ever more demanding clients, it has obtained certifications that vouch for the guarantee of its know-how and its impeccable organisational quality.



MADE IN SPAIN



TOTAL FINISHING



SYSTEMS

SOLUTIONS

SUPPLIES