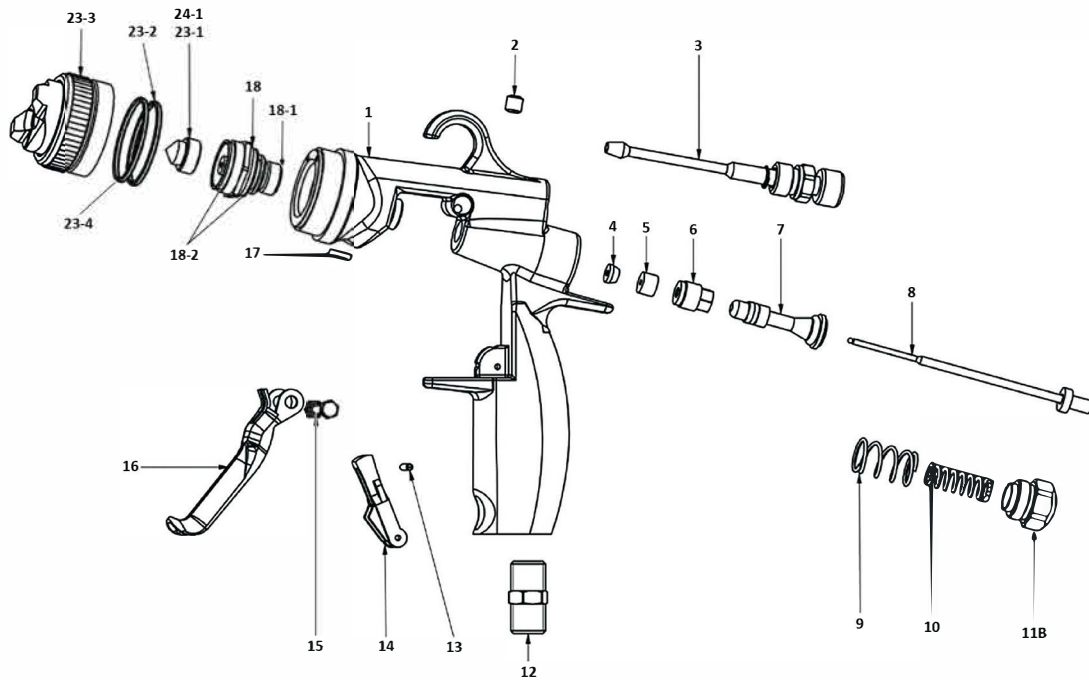


VIPER® Mix-Tech Spray Gun



Ref. No.	Part No.	Description
2	TFS41-V002	Wedge
3	TFS41-V003	Fan Regulation Set
4	TFS41-V004	Pressure Wedge
5	TFS41-V005	Fluid Needle Gasket
6	TFS41-V006	Fluid Needle Screw
7	TFS41-V007	Air Valve Complete
8*	TFS41-V008	Needle Set
9	TFS41-V009	Air Valve Spring
10	VPR-60BAR	Needle Spring 60 Bar
	TFS41-V010	Needle Spring 120 Bar
	TFS23-V0010	Needle Spring 200 Bar
11B	TFS41-V11B	Back Cap
12	TFS41-V012	Air Inlet ¼"
13	TFS41-V013	Pin
14	TFS41-V014	Safety Lock
15	TFS41-V015	Trigger Pin
16	TFS41-V016	Trigger
17	TFS41-V017	Sealing Gasket
18	TFS41-V018	Gun Head / Diffuser Set
18-1	389189739	Rear Gasket Seal
18-2	450120987	Diffuser O-Ring
23-1	4035XXXX12	Mix Nozzle Standard
23-2	450120990	Air Cap Gasket
23-3	398160060	Air Cap Type VX24 Comparable Non-OEM
23-4	389010225	Air Cap Flat Gasket
24-1	12105XX18	Pre-Atomized Nozzle (Ultra Tip)
	388589709	Tip Seal
	389160450	Complete Needle Kit 120 Bar

* Included in Complete Needle Kit 120 Bar