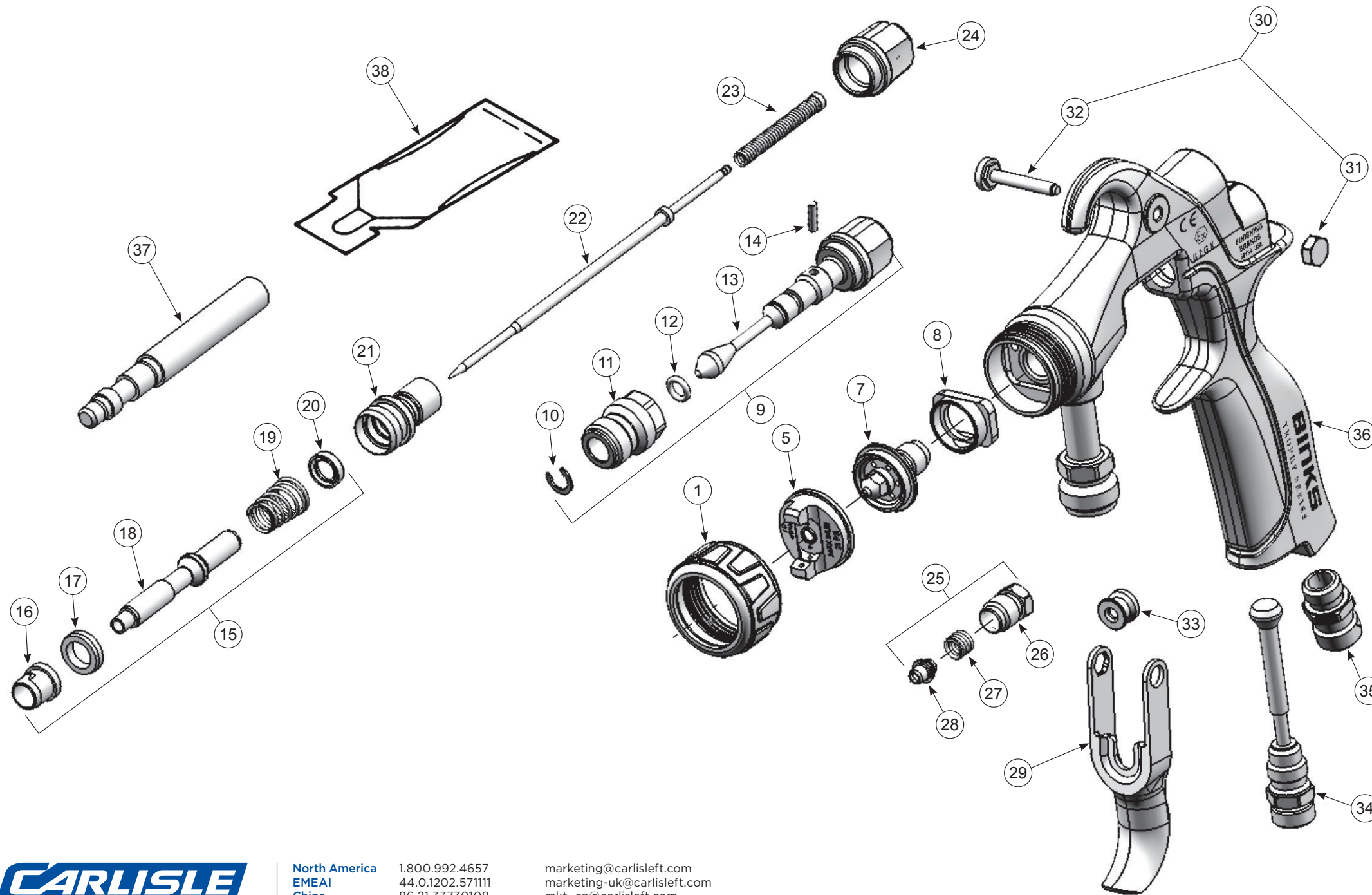


Binks Trophy Pressure & Siphon Touch Up Spray Gun



COMPLETE GUN ASSEMBLY

Material	Gun Assembly Part No.	Fluid Nozzle	Spray Technology
VERY LIGHT/REDUCED FLOW VERY LIGHT/MEDIUM FLOW (15-20 SECONDS, ZAHN 2)	1465-08HV-C1S	0.8mm x C1	HVLP
	1465-10LV-A1S	1.0mm x A1	Round
	1465-10LV-B1S	1.0mm x B1	LVMP
	1465-10HV-C1S	1.0mm x C1	HVLP
	1465-10HV-C1P	1.0mm x C1	HVLP
MEDIUM FLOW (20-30 SECONDS, ZAHN 2)	1465-12LV-B1S	1.2mm x B1	LVMP
	1465-12HV-C1S	1.2mm x C1S	HVLP
HEAVY FLOW (GREATER THAN 30 SECONDS, ZAHN 2)	1465-14LV-B1S	1.4mm x B1	LVMP
	1465-14HV-C1S	1.4mm x C1	HVLP

PARTS LIST

Item No.	Part No.	Description	Qty
1	54-6211	AIR CAP RETAINING RING ASSEMBLY	1
5	46-10020	AIR CAP, ROUND	1
	46-10010	AIR CAP, LVMP	1
	46-10000	AIR CAP, HVLP	1
7	45-12080	FLUID NOZZLE, 0.8MM (.30")	1
	45-12100	FLUID NOZZLE, 1.0MM (.40")	1
	45-12120	FLUID NOZZLE, 1.2MM (.47")	1
	45-12140	FLUID NOZZLE, 1.4MM (.53")	1
8	54-6215-K5	BAFFLE/SEPARATOR (KIT OF 5)	1
9	54-6216	SIDE PORT VALVE ASSEMBLY	1
10	54-6216	RETAINING CLIP (INCLUDED IN KIT)	1
11	54-6216	BODY BUSHING (INCLUDED IN KIT)	1
12	54-6216	O-RING (INCLUDED IN KIT)	1
13	54-6216	SIDE PORT STEM (INCLUDED IN KIT)	1
14	54-6216	PIN (INCLUDED IN KIT)	1
15	54-6131-K	AIR VALVE SERVICE KIT	1
16	54-6131-K	FRONT SEAL - AIR VALVE (INCLUDED IN KIT)	1
17	54-6131-K	FRONT AIR VALVE SEAL (INCLUDED IN KIT)	1
18	54-6220	AIR VALVE SPINDLE	1
19	54-6131-K	AIR VALVE SPRING (INCLUDED IN KIT)	1
20	54-6131-K	REAR SEAL - AIR VALVE (INCLUDED IN KIT)	1
21	SN-66	HOUSING	1
22	47-6851	NEEDLE - STAINLESS STEEL (STD.)	1
	47-6852	NEEDLE - PLASTIC TIP	1
23	54-6223-K	SPRING/PAD ASSEMBLY	1
24	54-6111	KNOB - NEEDLE ADJUSTING	1
25	54-6130-K	NEEDLE PACKING KIT	1
26	54-6130-K	NUT - PACKING (INCLUDED IN KIT)	1
27	54-6130-K	SPRING FOR PACKING (INCLUDED IN KIT)	1
28	54-6130-K	NEEDLE PACKING (INCLUDED IN KIT)	1
29	54-6218	TRIGGER	1
30	54-6228-K	TRIGGER SCREW NUT KIT	1
31	54-6228-K	TRIGGER SCREW (INCLUDED IN KIT)	1
32	54-6228-K	TRIGGER NUT (INCLUDED IN KIT)	1
33	54-3513	SPINDLE CAP	1
34	JJ-42	AIR ADJUSTING VALVE ASSEMBLY	1
35	JJ-30	FITTING - AIR INLET	1



North America 1.800.992.4657
 EMEA 44.0.1202.571111
 China 86.21.33730108
 Japan 81.45.785.6421

marketing@carlisleleft.com
 marketing-uk@carlisleleft.com
 mkt_cn@carlisleleft.com
 jp-rans-tokyosales@carlisleleft.com

