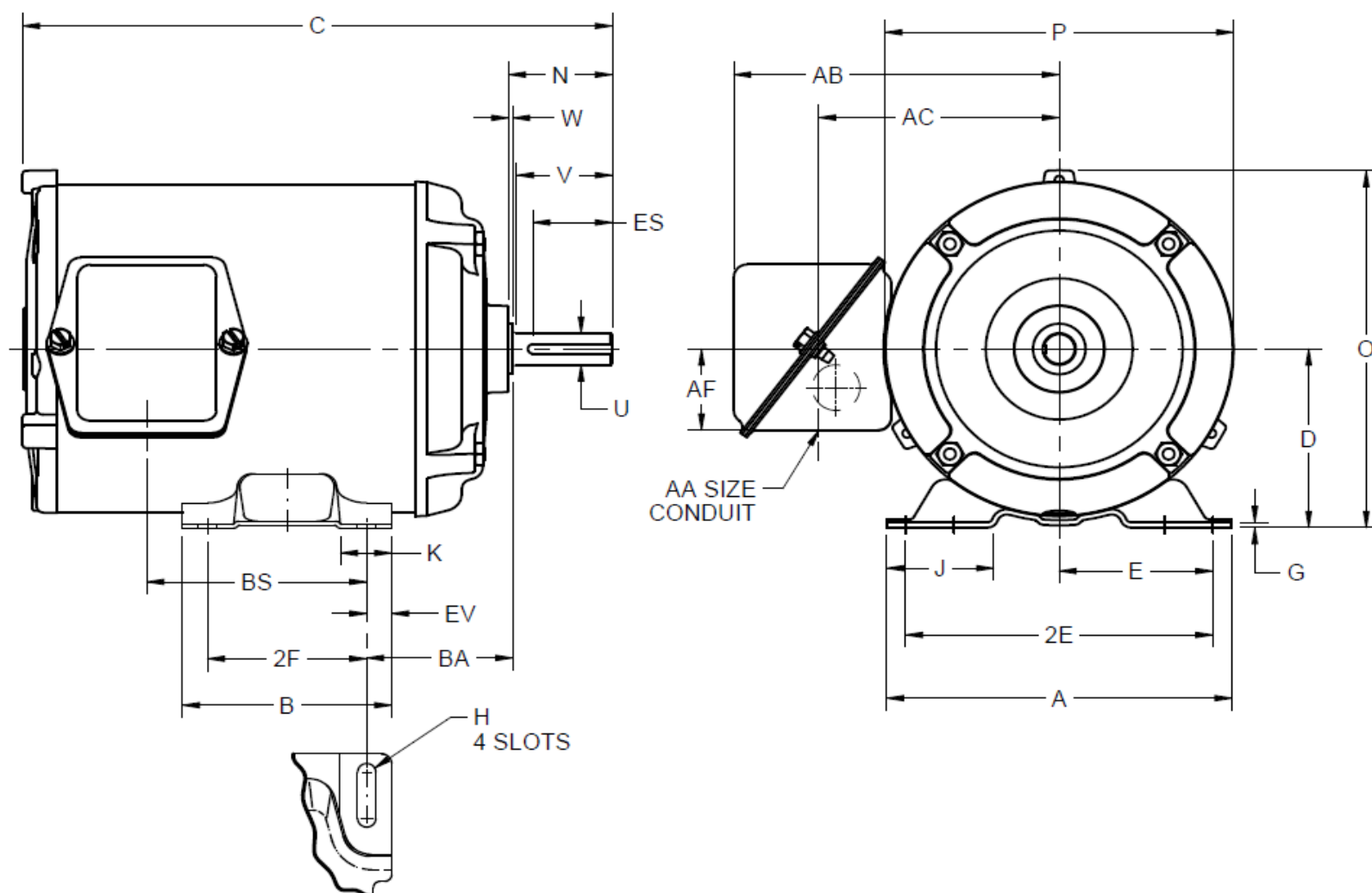


# Dimensional Drawing



**2N863BG**

REV.  
-



ALL DIMENSIONS ARE IN INCHES AND MILLIMETERS

UNITS	A	B	C	D -.06	E	2E ±.03	2F ±.03	G	H +.05	J	K	N
IN	6.50	4.00	10.19	3.50	2.44	4.88	3.00	.13	.34 X 1.25	1.97	.97	2.27
MM	165	102	259	89	62	124	76	3	9 x 32	50	25	58

UNITS	O	P <sup>2</sup>	U -.0005	V MIN	W	AA <sup>3</sup>	AB	AC	AF	BA	BS
IN	6.75	6.56	.6250	1.88	.39	.75	6.13	4.53	1.59	2.75	3.19
MM	171	167	15.875	48	10	19	156	115	40	70	81

UNITS	ES MIN	EV	SQ KEY
IN	1.41	.47	.188
MM	36	12	4.78

1. DIMENSIONS MAY VARY .25" DUE TO CASTING AND/OR FABRICATION VARIATIONS.
2. LARGEST MOTOR WIDTH.
3. BASIC CONDUIT FITTING SIZE. HOLE OPENING ON THE SIDE OF THE CONDUIT BOX (REPRESENTED BY A DASHED CIRCLE) WILL ACCEPT A .50 BASIC CONDUIT FITTING.
4. THE CONDUIT BOX MAY BE LOCATED ON EITHER SIDE OF THE MOTOR. THE CONDUIT OPENING(S) MAY BE LOCATED IN STEPS OF 180 DEGREES REGARDLESS OF LOCATION. STANDARD LOCATION SHOWN WITH CONDUIT OPENING DOWN
5. TOLERANCES ARE SHOWN IN INCHES ONLY.
6. FRAME REFERENCE; 5.50/56

DRAWING NO.	PAGE 1 of 1	REV.
	2N863BG	-

Dayton Electric Mfg. Co. Lake Forest, IL 60045 USA

# Performance Data



**2N863BG**

REV.  
-

## MOTOR PERFORMANCE

MODEL NO.	CATALOG NO.	PHASE	TYPE	FRAME
2N863BG	NA	3	UTN	56-

ORDER NO.	LINE NO.
23987	100

MPI:	201218	201219	201220	201221	201222
HP:	0.25	0.25	0.25	0.25	0.25
POLES:	4	4	4	4	4
VOLTS:	460	230	208	380	190
HZ:	60	60	60	50	50
SERVICE FACTOR:	1.15	1.15	1.15	1.15	1.15
EFFICIENCY (%):					
S.F.	72.6	72.6	74.5	73.5	73.5
FULL	70	70	72	72	72
3/4	65.8	65.8	69	68.3	68.3
1/2	57.3	57.3	61.2	60.7	60.7
1/4	40.7	40.7	45.4	45	45
POWER FACTOR (%):					
S.F.	52.8	52.8	59.9	60.9	60.9
FULL	48.5	48.5	55.4	56.2	56.2
3/4	40.5	40.5	46.6	47	47
1/2	32	32	36.5	36.8	36.8
1/4	22.8	22.8	25.5	25.6	25.6
NO LOAD	11.8	11.8	12.3	12.2	12.2
LOCKED ROTOR	76.3	76.3	75.5	80.5	80.5
AMPS:					
S.F.	0.7	1.4	1.3	0.7	1.5
FULL	0.7	1.4	1.3	0.7	1.4
3/4	0.7	1.3	1.2	0.7	1.3
1/2	0.6	1.3	1.2	0.6	1.3
1/4	0.6	1.3	1.1	0.6	1.2
NO LOAD	0.6	1.3	1.1	0.6	1.3
LOCKED ROTOR	5.2	10.4	9.3	4.5	9.1
NEMA CODE LETTER	S	S	P	N	N
NEMA DESIGN LETTER	B	B	B	B	B
FULL LOAD RPM	1770	1770	1765	1465	1465
NEMA NOMINAL EFFICIENCY (%)	70	70	72	72	72
GUARANTEED EFFICIENCY (%)	66	66	68	68	68
MAX KVAR	0.4	0.4	0.3	0.3	0.4
AMBIENT (°C)	40	40	40	40	40
ALTITUDE (FASL)	3300	3300	3300	3300	3300
SAFE STALL TIME-HOT (SEC)	18	18	23	25	25
SOUND PRESSURE (DBA @ 1M)	0	0	0	0	0
TORQUES:					
BREAKDOWN{% F.L.}	712	712	574	516	516
LOCKED ROTOR{% F.L.}	500	500	400	379	379
FULL LOAD{LB-FT}	0.7	0.7	0.7	0.9	0.9

NEMA Nominal and Guaranteed Efficiencies are up to 3,300 feet above sea level and 25 ° C ambient

The Above Data Is Typical. Sinewave Power Unless Noted Otherwise

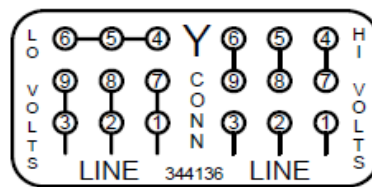
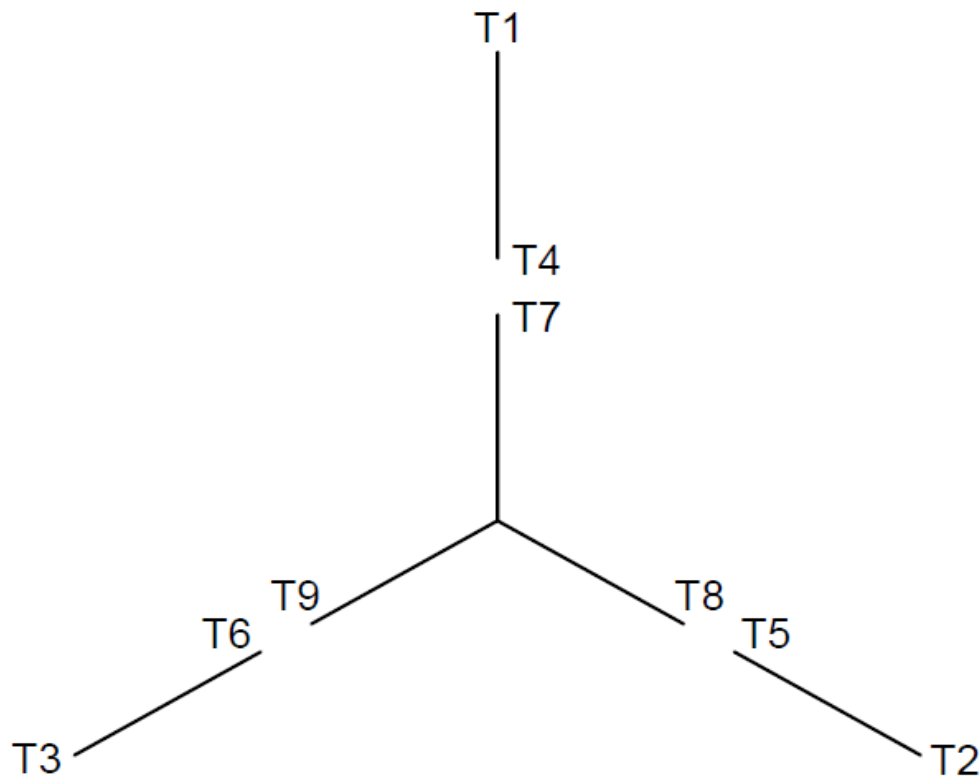
DRAWING NO.	PAGE 1 of 1	REV.
2N863BG		-

Dayton Electric Mfg. Co. Lake Forest, IL 60045 USA

2N863BG

REV.  
0

## Motor Wiring Diagram 9 Lead, Dual Voltage (WYE Conn.)



To reverse direction of rotation, interchange leads L1 & L2.  
Each lead may have one or more cables comprising that lead.  
In such case, cable will be marked with the appropriate lead number.

DRAWING NO.	PAGE 1 of 1	REV.
2N863BG		0

**Dayton**<sup>®</sup>Part  
No. **2N863BG****INDUSTRIAL  
MOTOR**SHAFT  
END BRG **6205-2Z-J/C3**OPP  
END BRG **6203-2Z-J/C3**FR **56**TYPE **UTN**ENCL **TENV**PH **3**    MAX  
AMB **40 °C**    ID#INSUL  
CLASS **F**    DUTY **CONT**    WT **30 LB**    BALHZ **60**    HP **.25**    RPM **1770**HZ **50**    HP **.25**    RPM **1465**SF **1.15**    DESIGN **B**    CODE **S**SF **1.15**    DESIGN **B**    CODE **N**GUARANTEED  
EFFICIENCY **66.0**    MAX  
KVAR **.4**GUARANTEED  
EFFICIENCY **68.0**    MAX  
KVAR **.3**NEMA NOM  
EFFICIENCY **70.0**    NOM  
PF **48.5**NEMA NOM  
EFFICIENCY **72.1**    NOM  
PF **56.2**VOLTS **208-230/460**VOLTS **190/380**FL AMPS **1.3-1.4/.7**FL AMPS **1.4/.7**SF AMPS **1.4/.7**SF AMPS **1.5/.7****2039909-015**    MADE IN MEXICO OF IMPORTED AND DOMESTIC COMPONENTS**Mfd. for Dayton Electric Mfg. Co.  
Lake Forest, IL 60045 USA****c**  **US**  
E47479