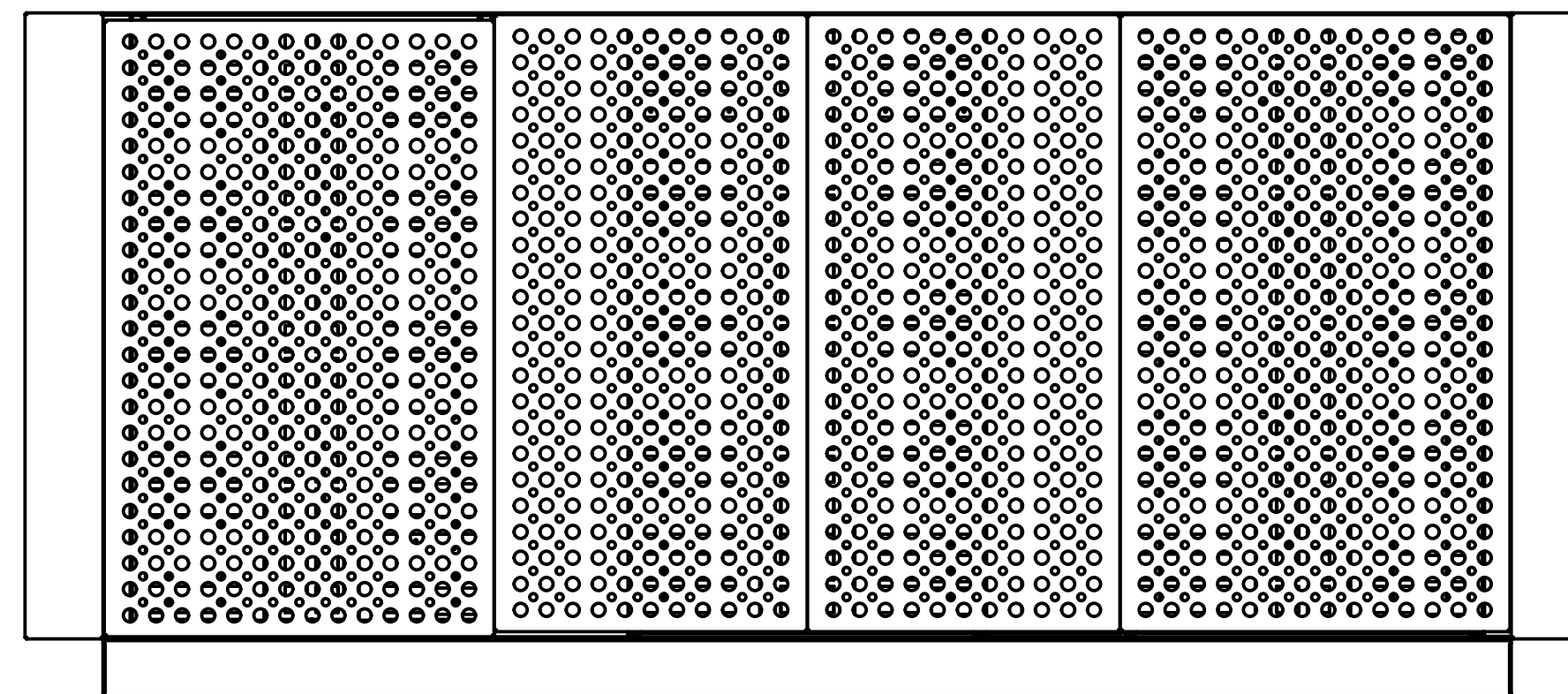
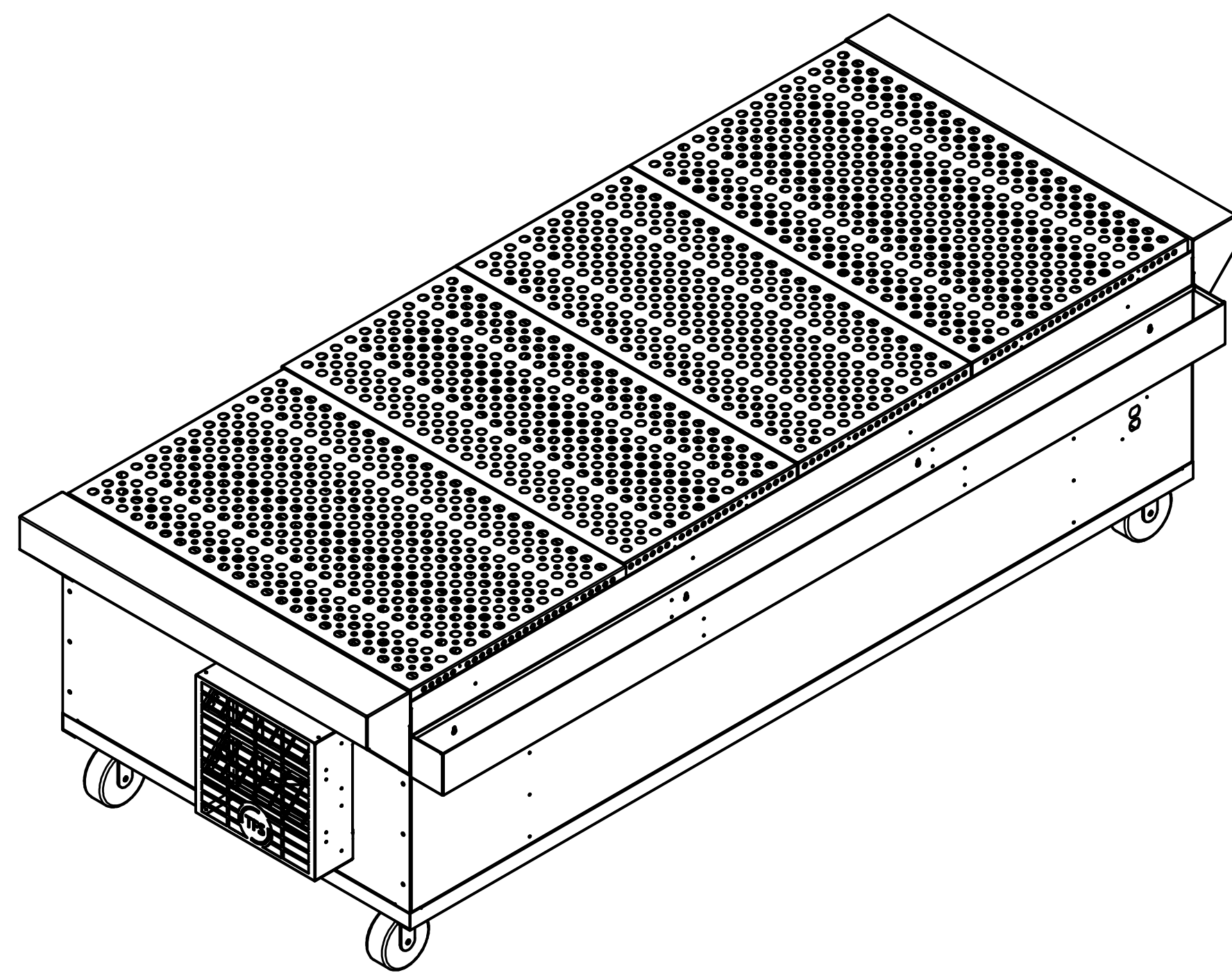


THIS DOCUMENT CONTAINS CONFIDENTIAL AND PROPRIETARY INFORMATION THAT CANNOT BE REPRODUCED OR DIVULGED, IN WHOLE OR IN PART, WITHOUT WRITTEN AUTHORIZATION FROM RGI SPRAY BOOTHS

| | | | |
|-------------------|-------------|---|--------|
| DRAWN Curtis K | 11/29/2023 | TOTAL FINISHING SOLUTIONS | |
| CHECKED | | TITLE | |
| QA | | DOWN DRAFT TABLE 10'W X 4'L FLAT TOP | |
| MFG | | PART # | DWG NO |
| APPROVED | | | REV |
| | | DOWN DRAFT TABLE 10'W X 4'L | |
| | SCALE 1 / 8 | SHEET 1 OF 8 | |



DOWN DRAFT TABLE CONSTRUCTION:

CONSTRUCTION: 16 GA. ZINC GALVANIZED STEEL PANELS, PRE PUNCHED AND ASSEMBLED WITH 1/4 NUTS AND BOLTS

OUTSIDE DIMENSIONS: 10'-0" W X 4'-4 1/2" L X 3'-0" H
 WORK SURFACE DIMENSIONS: 10'-0" W X 4'-0" L X 3'-0" H

POST EXHAUST FILTERS:

(2) EXHAUST FILTER 20" X 16"
 PAINT POCKET

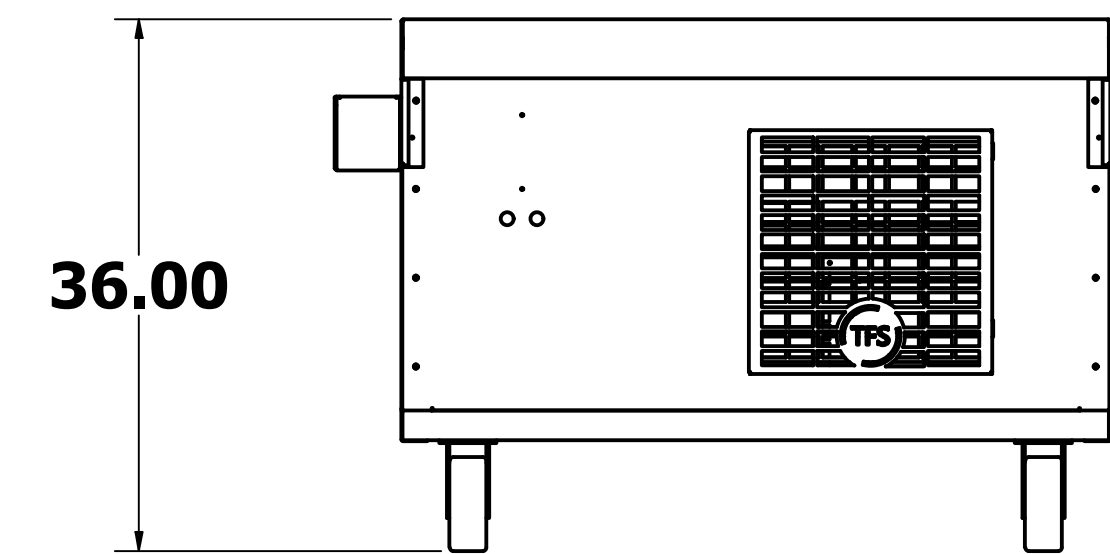
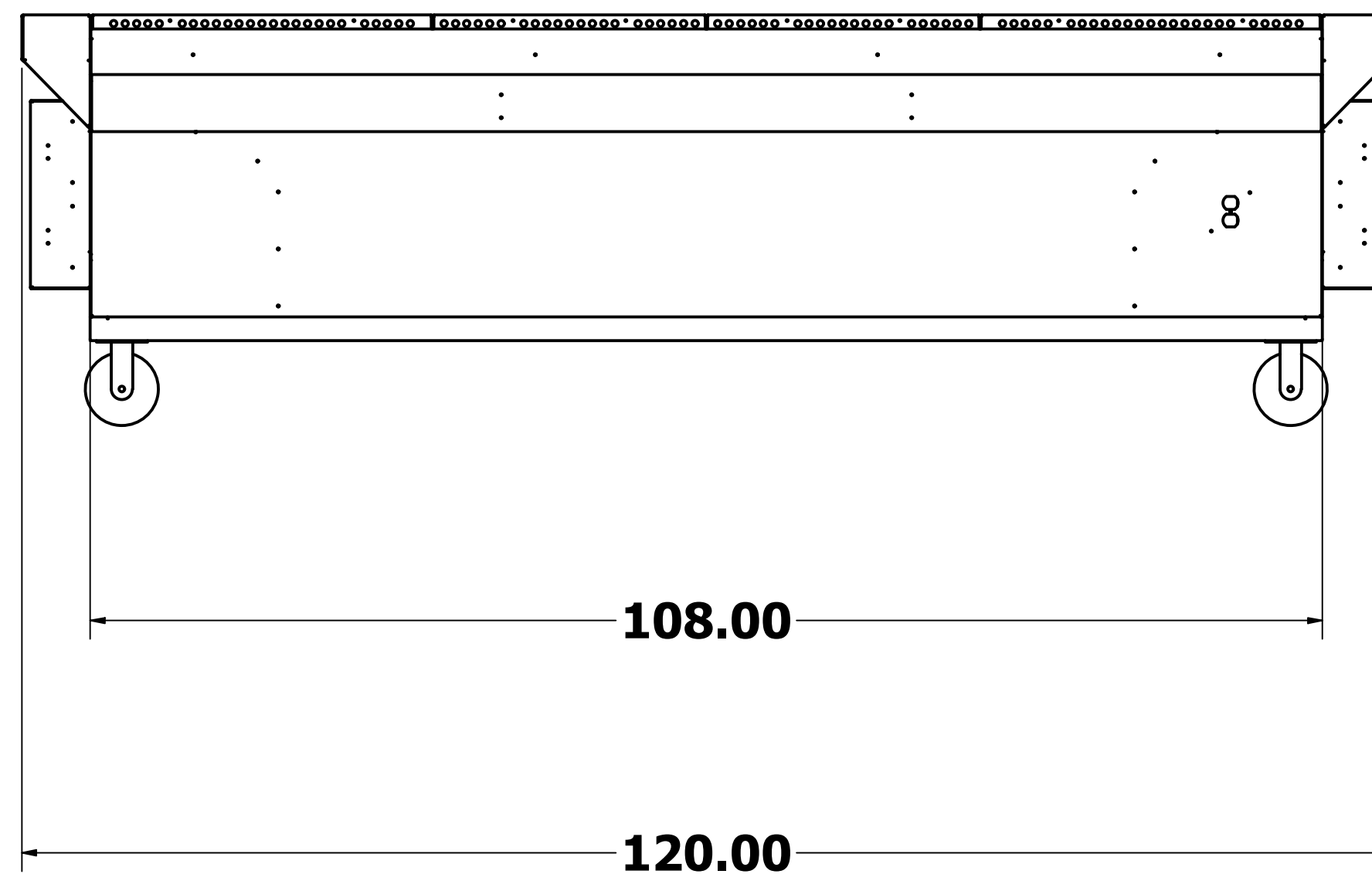
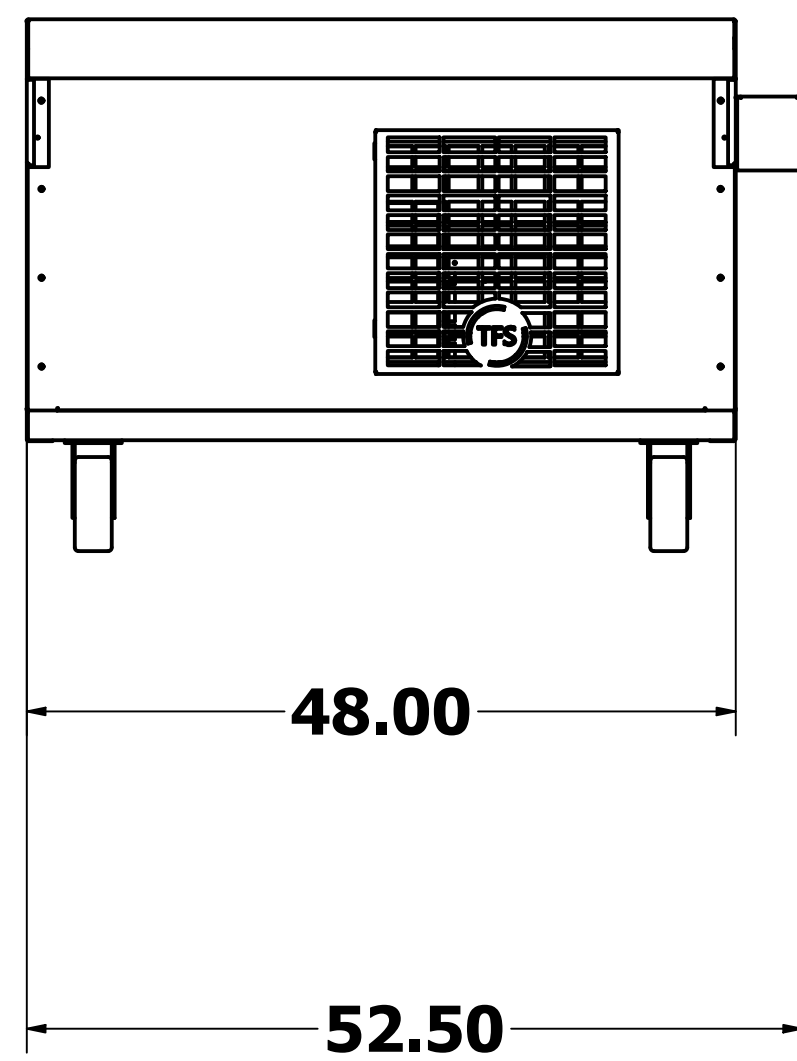
EXHAUST FILTERS:

(3) INTAKE FILTERS 30" X 45"
 DRY TYPE FIBER GLASS

MECHANICAL: BELT DRIVEN CAGE MOTORS. BELT DRIVEN MOTORS ARE TYPICALLY QUIETER AND PROVIDE MORE CONTROL OVER THE BLOWER SPEED AND AIRFLOW.

(2) 1HP 3PH MOTOR VOLTAGE 208-230/460
 DELIVERS: 2,925 CFM @ 0.25" S.P.

AC MOTOR SPEED CONTROL:
 ADJUSTABLE FREQUENCY DRIVE 3PH AC MOTORS NEMA 4X / IP 65



| | | | |
|-------------------|------------|----------------------------|--------------|
| DRAWN Curtis K | 11/29/2023 | TOTAL FINISHING SOLUTIONS | |
| CHECKED | | TITLE | |
| QA | | DOWN DRAFT TABLE | |
| MFG | | 10'W X 4'L FLAT TOP | |
| APPROVED | | PART # | DWG NO |
| | | | REV |
| | | SCALE 1 / 13 | SHEET 2 OF 8 |

8 7 6 5 4 3 2 1

D

D

C

C

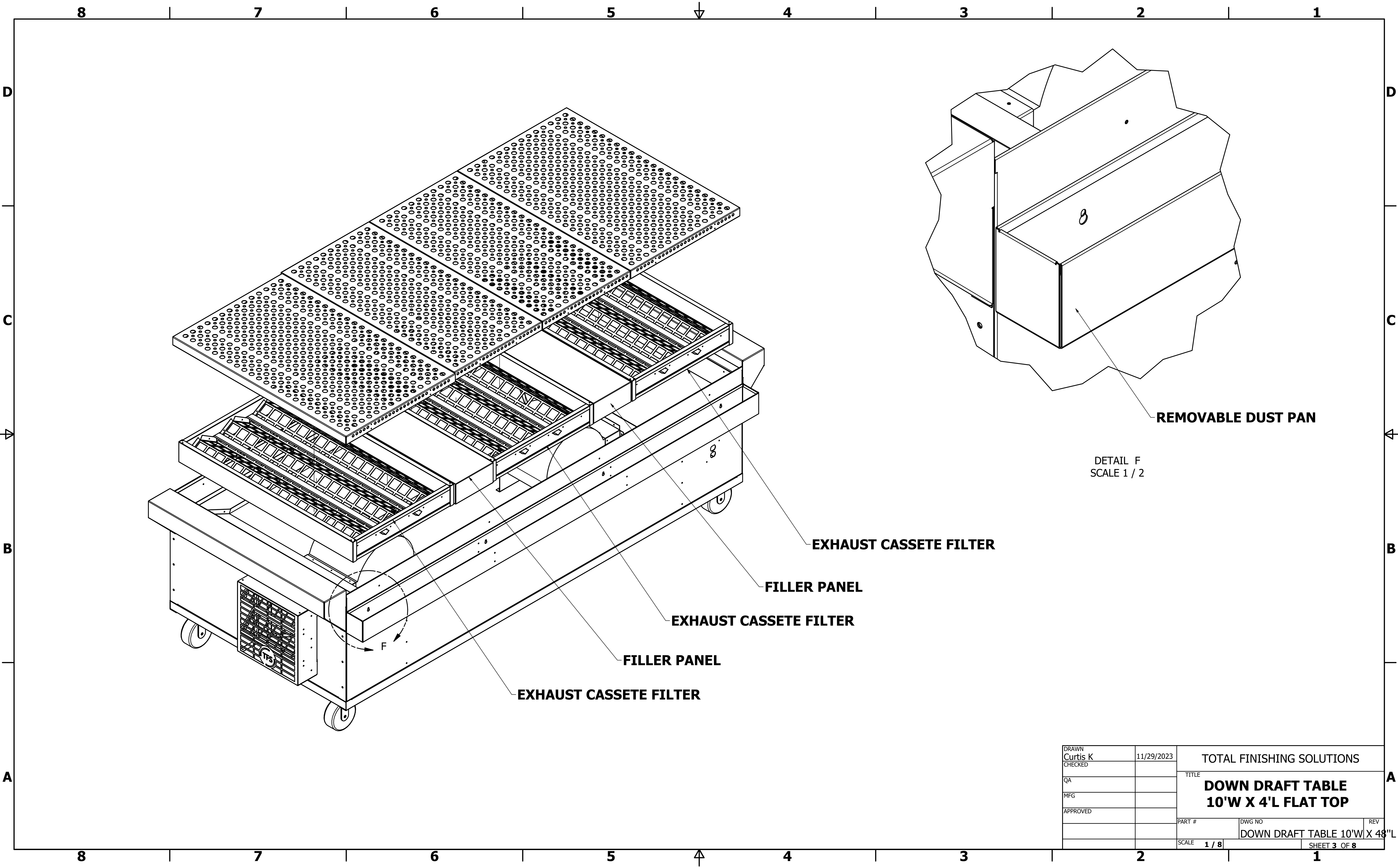
B

B

A

A

8 7 6 5 4 3 2 1



| | | | |
|-------------------|------------|---|--------------|
| DRAWN Curtis K | 11/29/2023 | TOTAL FINISHING SOLUTIONS | |
| CHECKED | | TITLE | |
| QA | | DOWN DRAFT TABLE 10'W X 4'L FLAT TOP | |
| MFG | | | |
| APPROVED | | PART # | DWG NO |
| | | | |
| | | SCALE 1 / 8 | SHEET 3 OF 8 |

**DOWN DRAFT TABLE
10'W X 4'L FLAT TOP**

DOWN DRAFT TABLE 10'W X 4'L F

8 7 6 5 4 3 2 1

PARTS LIST

| ITEM | QTY | PART NUMBER | DESCRIPTION |
|--------|-----|--|-------------|
| DDT77 | 1 | DOWN DRAFT TABLE BASE PANEL 108 X 48 16GA | |
| DDT78 | 2 | DOWN DRAFT TABLE BASE ANGLE 108 X 2 X 2 X 1_500 | |
| DDT102 | 2 | DOWN DRAFT TABLE BASE PANEL 48"W END STIFFENING FLANGE | |
| CW1 | 4 | CASTER WHEEL | |

WIELD CORNERS

RIVET IN ANGLE

SPOT WIELD IN

RIVET IN STIFFENER

DETAIL A
SCALE 1 / 2

DETAIL B
SCALE 1 / 3

DDT102

DDT78

DDT78

DDT77

DDT102

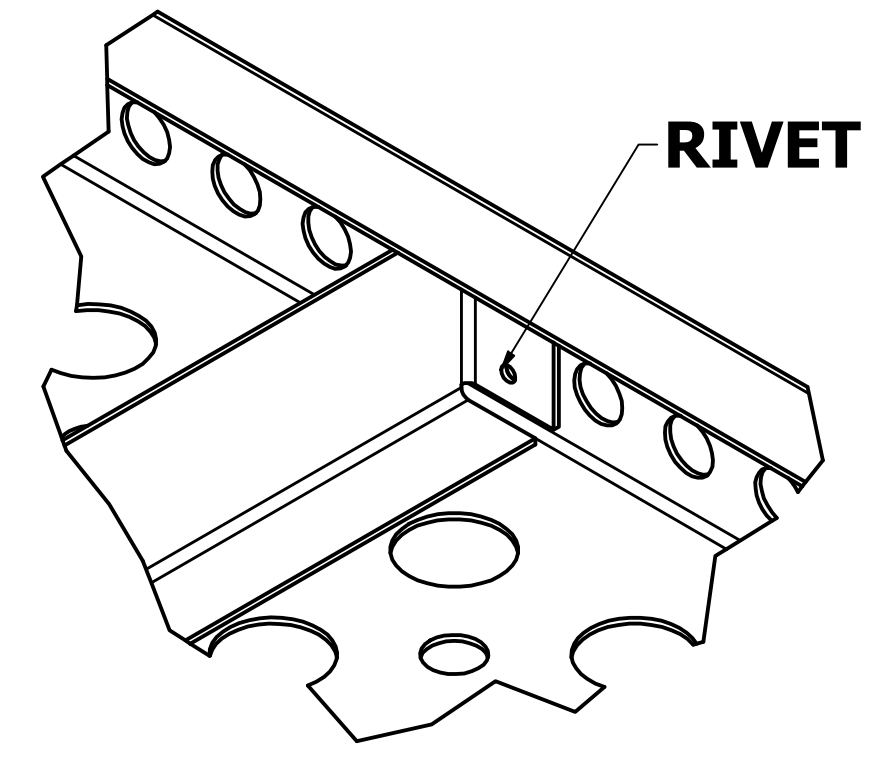
| | | | |
|-------------------|------------|--|--------------|
| DRAWN Curtis K | 11/29/2023 | TOTAL FINISHING SOLUTIONS | |
| CHECKED | | TITLE DOWN DRAFT TABLE BASE ASSEMBLY | |
| QA | | PART # | DWG NO |
| MFG | | DOWN DRAFT TABLE 10"W X 48" L F | |
| APPROVED | | SCALE 1 / 6 | SHEET 4 OF 8 |

8 7 6 5 4 3 2 1

8 7 6 5 4 3 2 1

PARTS LIST

| ITEM | QTY | PART NUMBER | DESCRIPTION |
|-------|-----|---|-------------|
| DDT92 | 2 | DDT92-DOWN DRAFT TABLE GRATING STIFFENER BRACKET 27_125 X 1_875 | |
| DDT91 | 1 | DDT91-DOWN DRAFT TABLE GRATING TOP 47_300 X 30 | |



RIVET

DETAIL C
SCALE 2 / 3

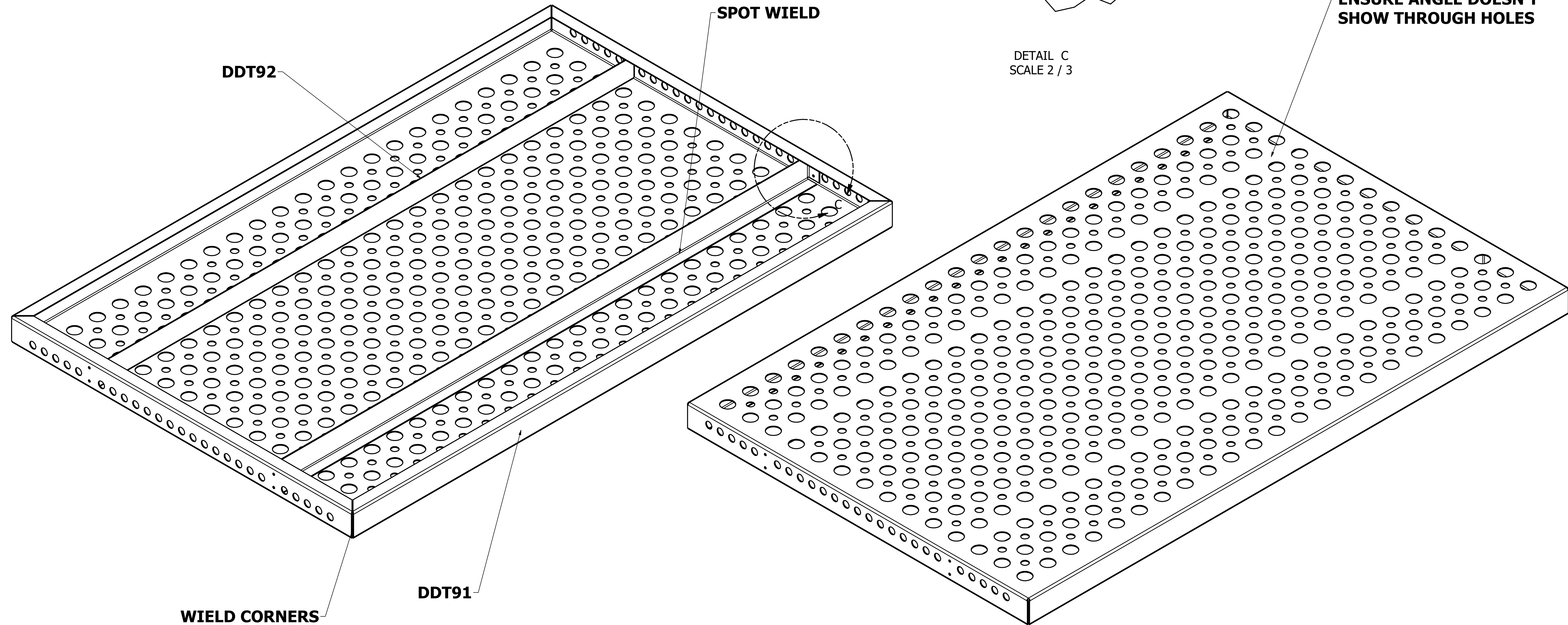
ENSURE ANGLE DOESN'T SHOW THROUGH HOLES

SPOT WIELD

DDT92

DDT91

WIELD CORNERS



D

D

C

C

B

B

A

A

8 7 6 5 4 4 3 2 1

| | | | |
|-------------------|------------|--|--------------|
| DRAWN Curtis K | 11/29/2023 | TOTAL FINISHING SOLUTIONS | |
| CHECKED | | TITLE | |
| QA | | DOWN DRAFT TABLE TOP GRATING ASSEMBLY | |
| MFG | | PART # | DWG NO |
| APPROVED | | | REV |
| | | SCALE 1 / 3 | SHEET 5 OF 8 |

DOWN DRAFT TABLE 10"W X 48"L

8 7 6 5 4 3 2 1

PARTS LIST

| ITEM | QTY | PART NUMBER | DESCRIPTION |
|-------|-----|--|-------------|
| DDT79 | 1 | DDT79-DRAFT TABLE FRONT SIDE 108X24_500 | |
| DDT84 | 1 | DDT84-DOWN DRAFT FILTER FRAME MIDDLE CROSS 103_675 X 5_800 | |

D

D

C

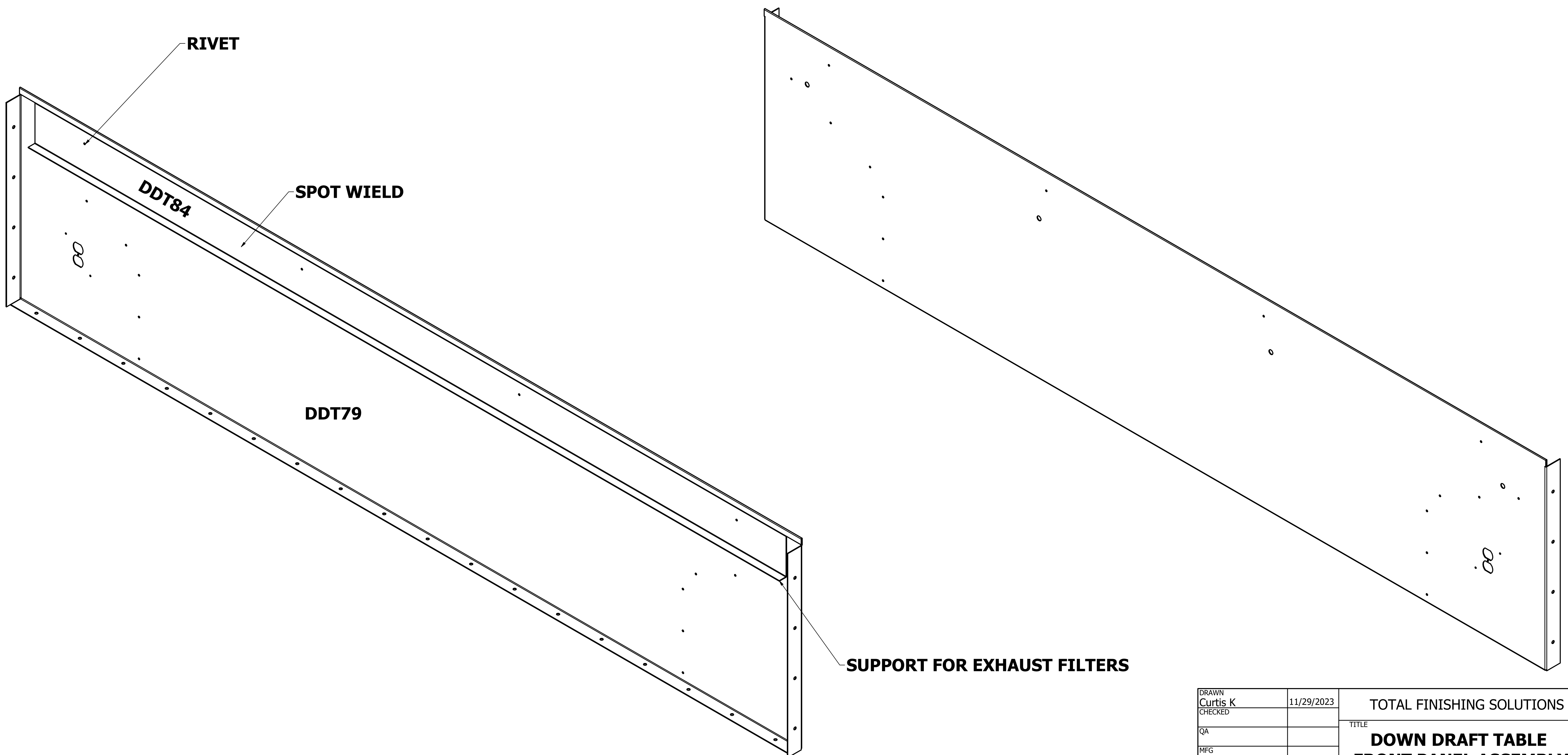
C

B

B

A

A



| | | | |
|-------------------|------------|---|--------------|
| DRAWN Curtis K | 11/29/2023 | TOTAL FINISHING SOLUTIONS | |
| CHECKED | | TITLE DOWN DRAFT TABLE FRONT PANEL ASSEMBLY | |
| QA | | PART # | DWG NO |
| MFG | | DOWN DRAFT TABLE 10"W X 48" L F | |
| APPROVED | | SCALE 1 / 5 | SHEET 6 OF 8 |

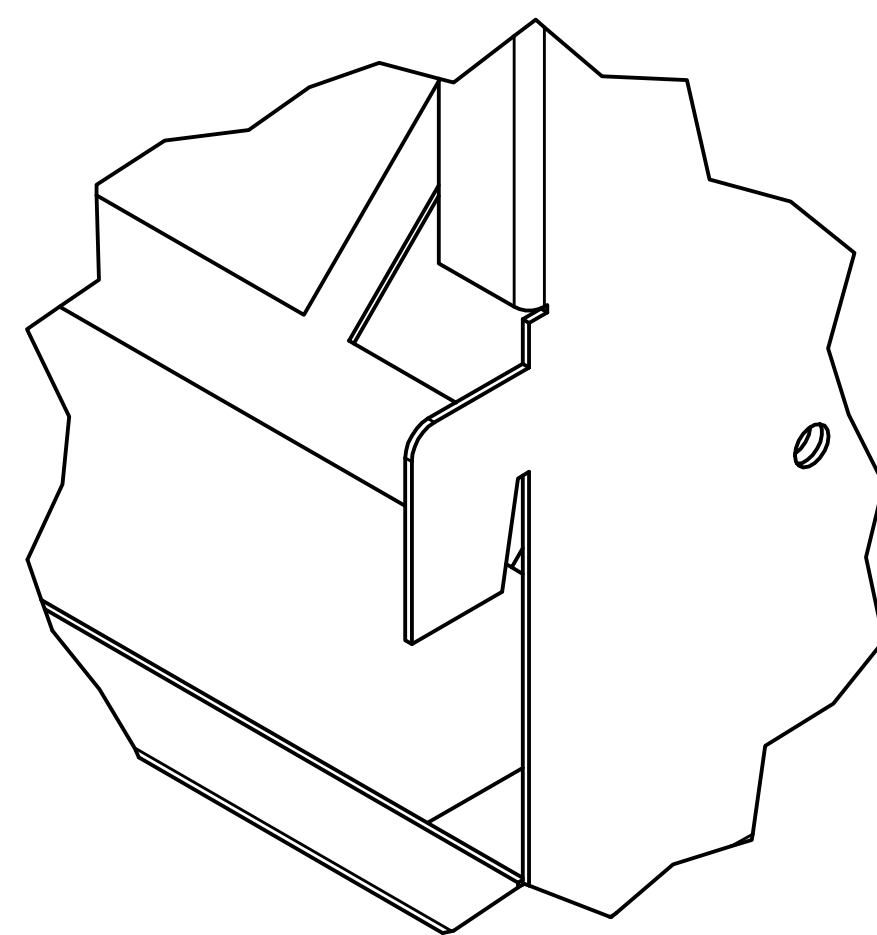
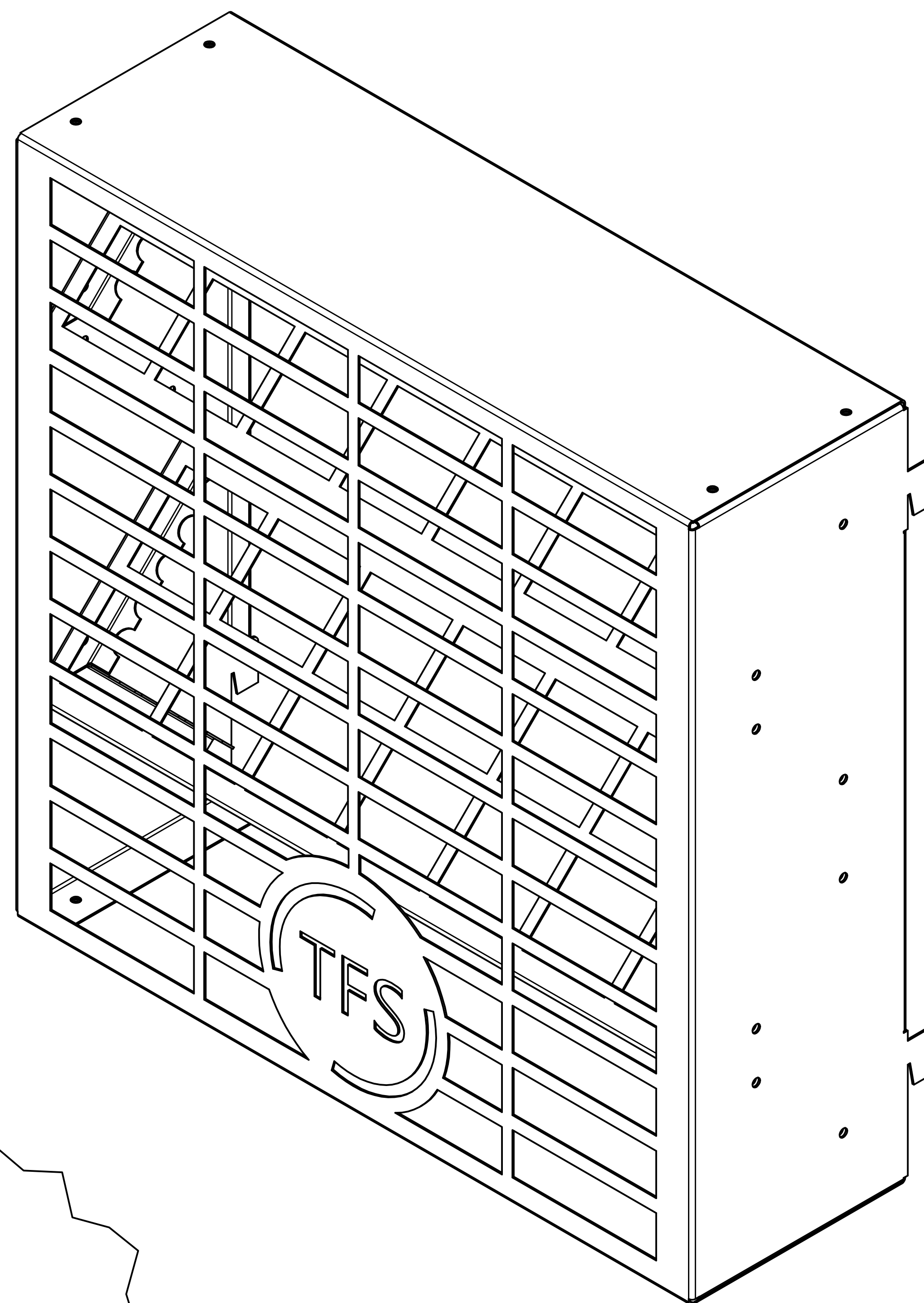
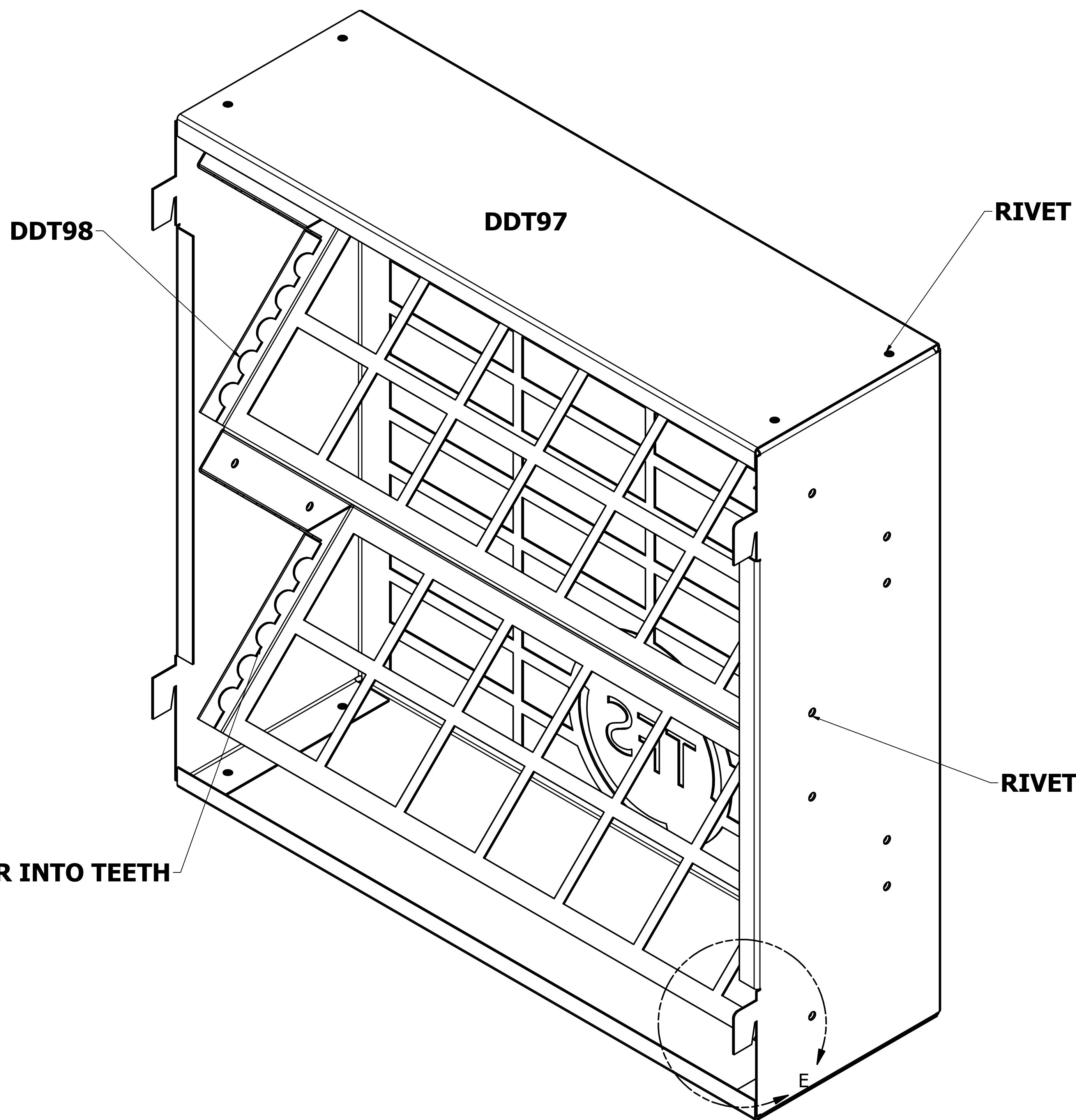
8 7 6 5 4 3 2 1

8 7 6 5 4 3 2 1

PARTS LIST

| ITEM | QTY | PART NUMBER | DESCRIPTION |
|-------|-----|---|-------------|
| DDT97 | 1 | DDT97-DOWN DRAFT TABLE EXHAUST FILTER GRILL 16_500 X 16_500 | |
| DDT98 | 1 | DDT98-DOWN DRAFT TABLE CASSTTE FILTER GRID 15 X 16_300 X 4 | |

NOTE: ENSURE TO INSERT IN DDT98 BEFORE RIVETING THE TOP OF DDT97



DETAIL E
SCALE 1.33 : 1

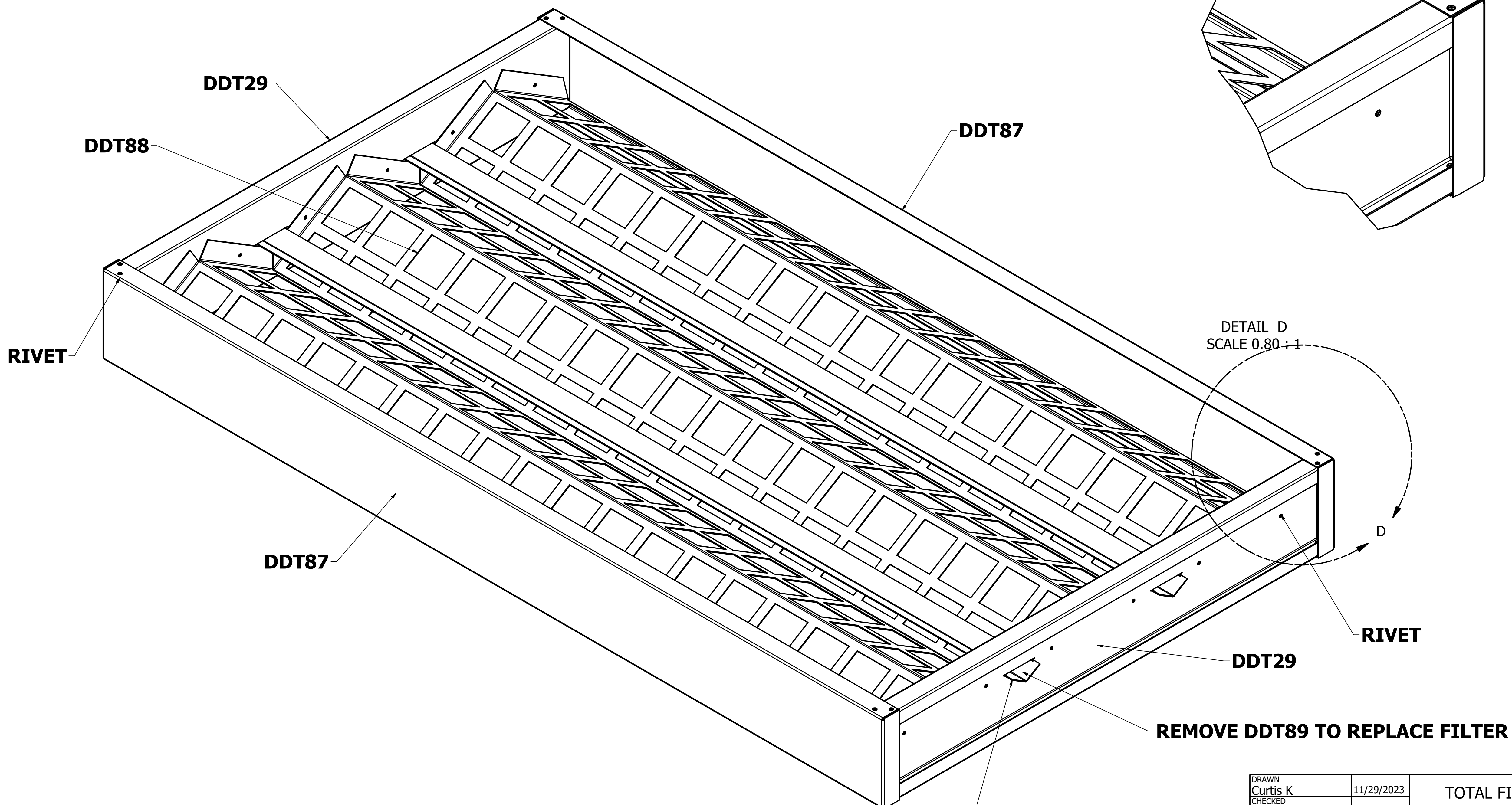
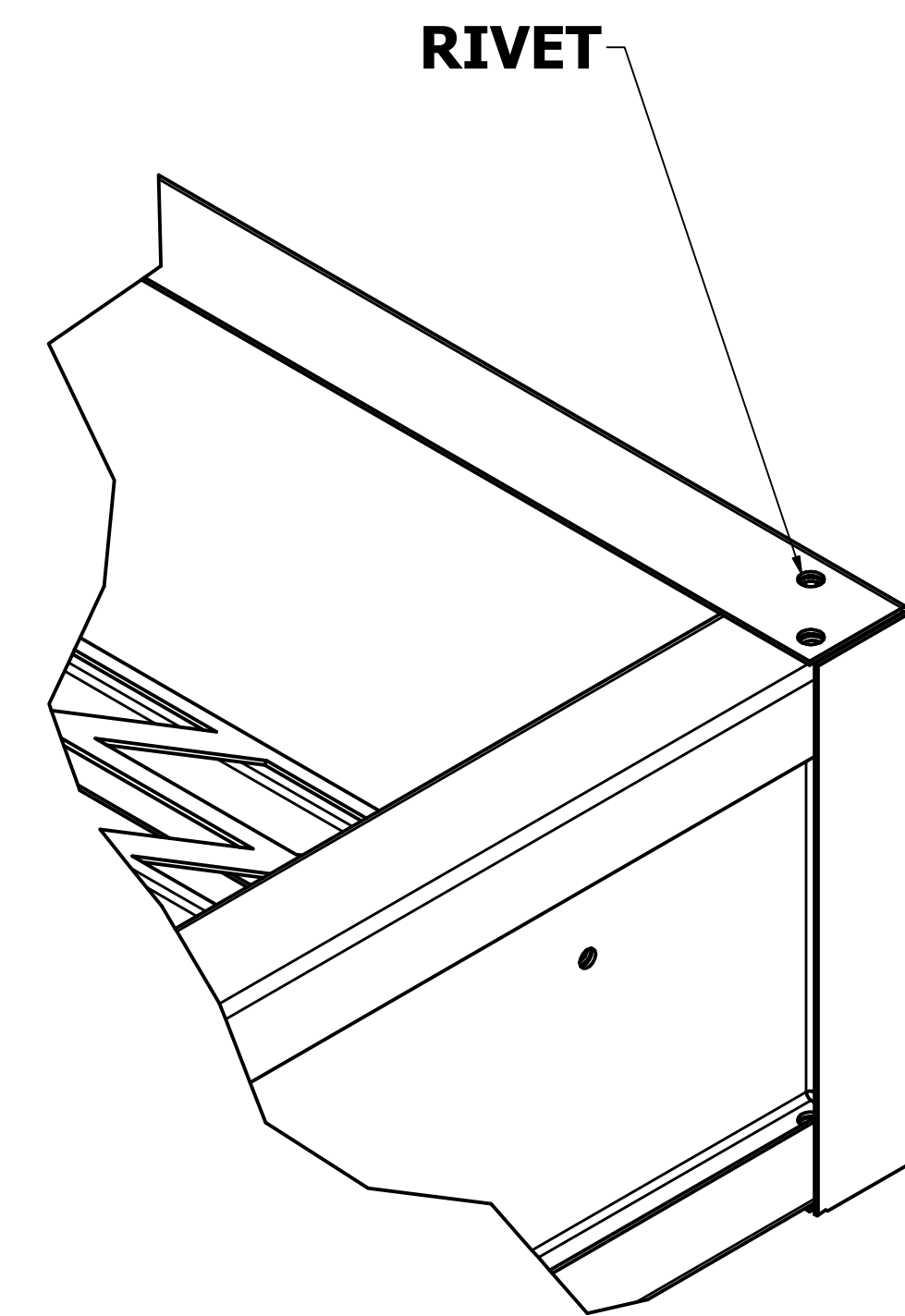
| | | | |
|-------------------|------------|---|--------------|
| DRAWN Curtis K | 11/29/2023 | TOTAL FINISHING SOLUTIONS | |
| CHECKED | | TITLE | |
| QA | | DOWN DRAFT TABLE EXHAUST FILTER ASSEMBLY | |
| MFG | | PART # | DWG NO |
| APPROVED | | DOWN DRAFT TABLE 10"W X 48" L F | |
| | | SCALE 1 / 1.5 | SHEET 7 OF 8 |

8 7 6 5 4 3 2 1

8 7 6 5 4 3 2 1

PARTS LIST

| ITEM | QTY | PART NUMBER | DESCRIPTION |
|-------|-----|--|-------------|
| DDT87 | 2 | DDT87-DRAFT TABLE CASSETTE TOP 47_500 X 4_750 | |
| DDT29 | 2 | DRAFT TABLE CASSETTE FILTER END PANEL 27_340 X 4_650 | |
| DDT88 | 1 | DDT88-DRAFT TABLE CASSETTE FILTER GRID 27"L X 45_600 | |
| DDT89 | 2 | DDT89-DRAFT TABLE FILTER CASSETTE ANGLE 46_625" 63 DEG | |



DETAIL D
SCALE 0.80 : 1

REMOVE DDT89 TO REPLACE FILTER

| | | | |
|-------------------|------------|--|--------------|
| DRAWN Curtis K | 11/29/2023 | TOTAL FINISHING SOLUTIONS | |
| CHECKED | | TITLE | |
| QA | | DOWN DRAFT TABLE CASSETTE FILTER ASSEMBLY | |
| MFG | | PART # | DWG NO |
| APPROVED | | DOWN DRAFT TABLE 10"W X 48"L F | REV |
| | | SCALE 1 / 2.5 | SHEET 8 OF 8 |

8 7 6 5 4 3 2 1