

8 7 6 5 4 3 2 1

D

D

C

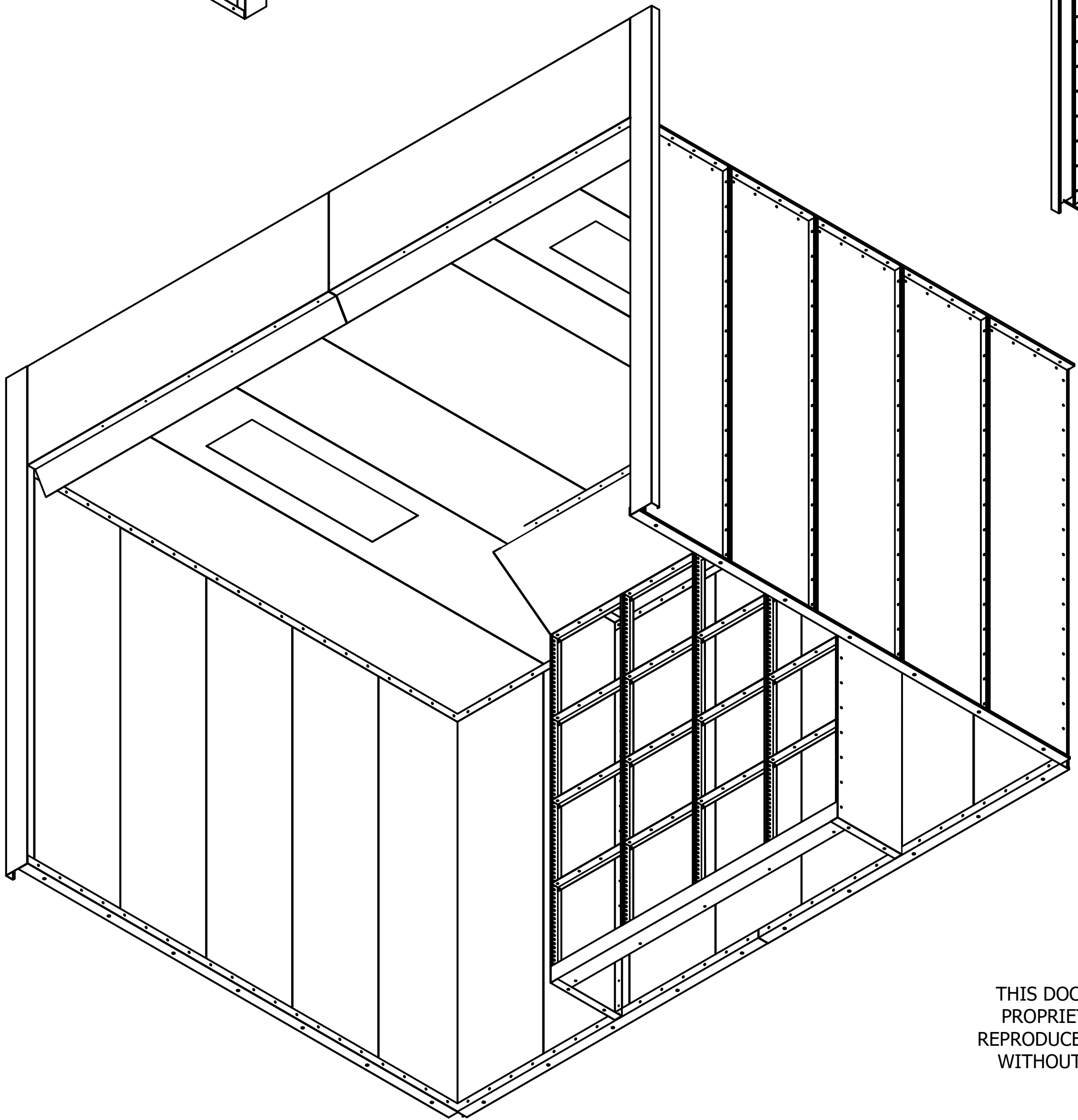
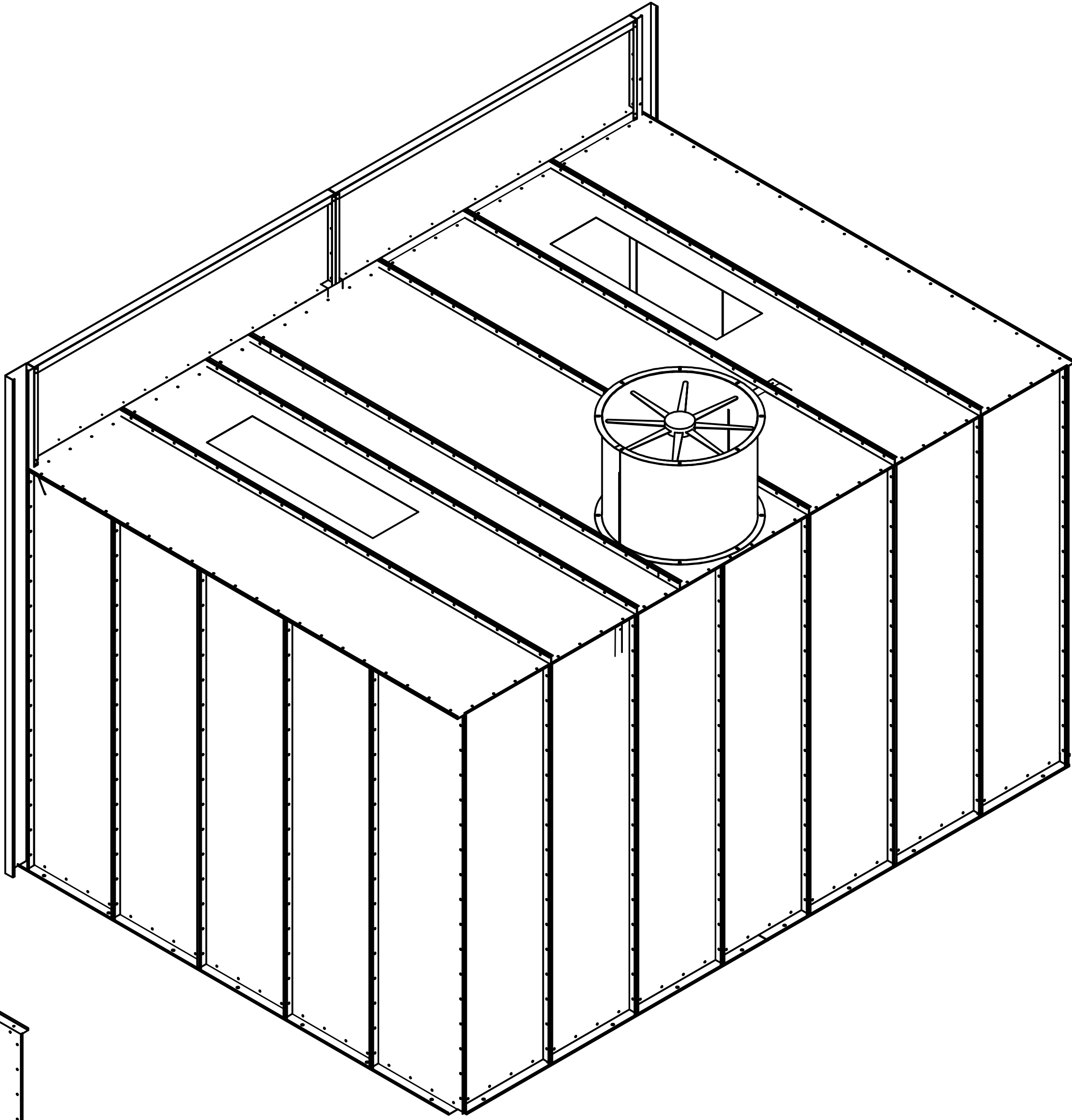
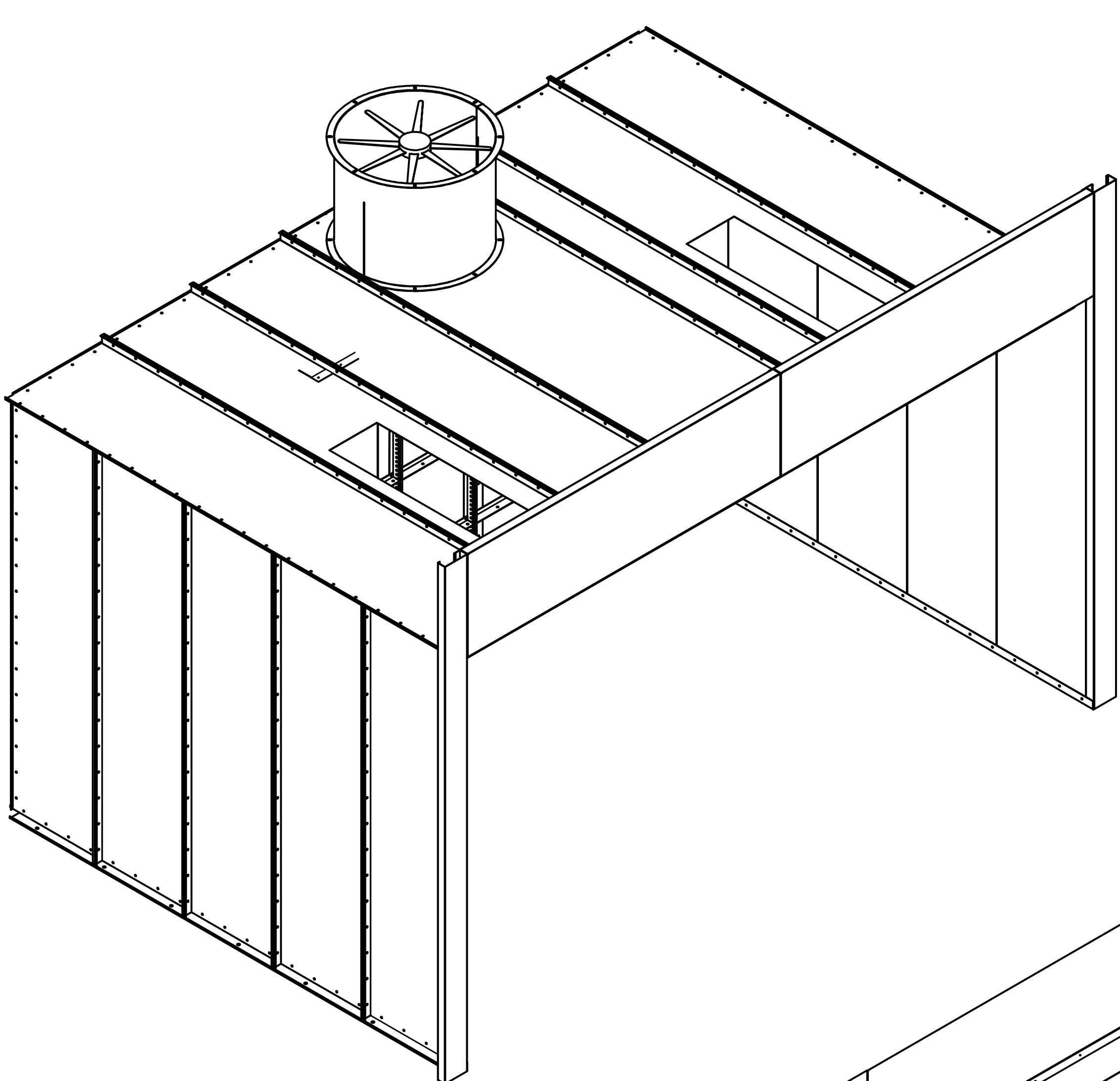
C

B

B

A

A



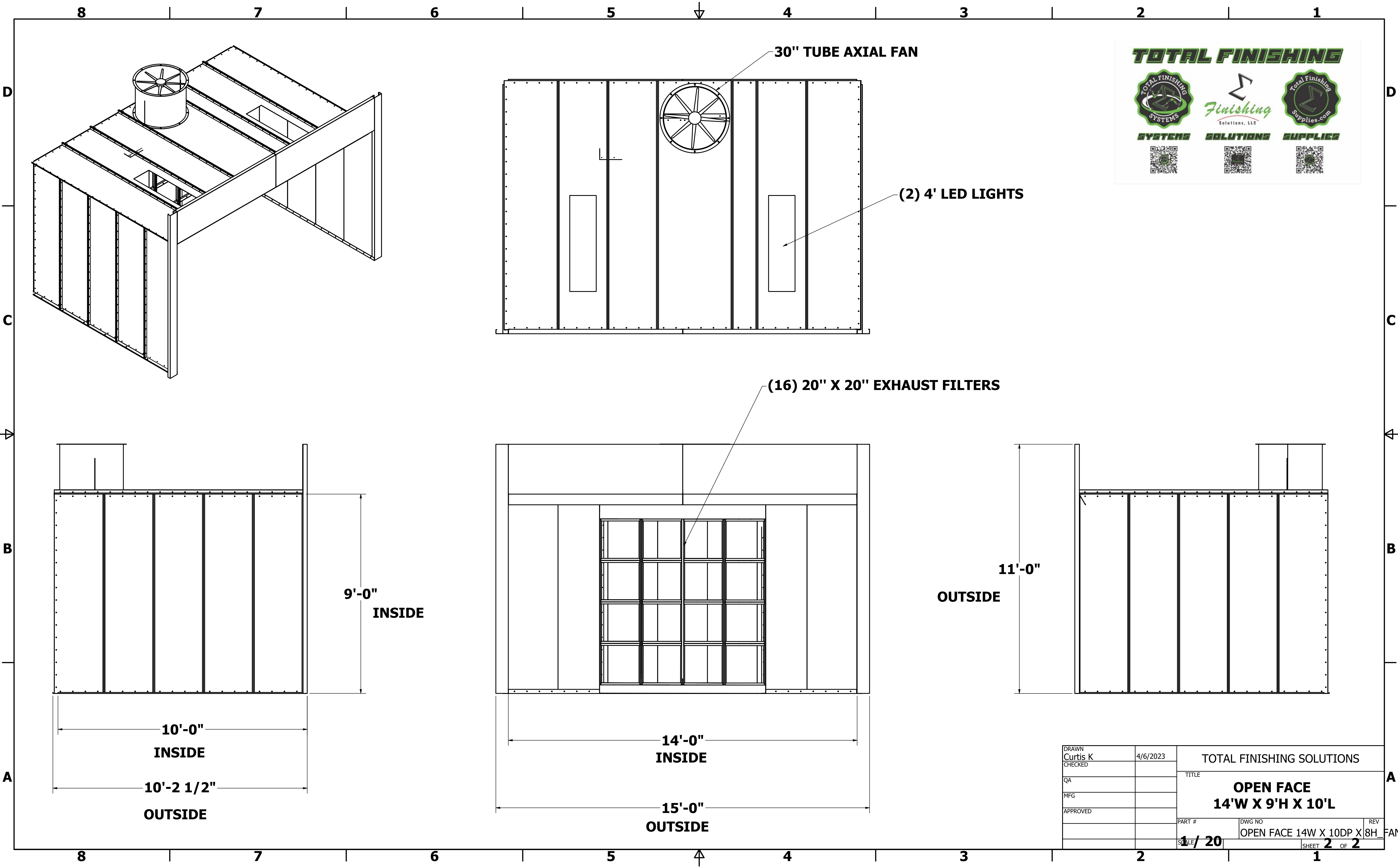
SIGNITURE: _____

THIS DOCUMENT CONTAINS CONFIDENTIAL AND PROPRIETARY INFORMATION THAT CANNOT BE REPRODUCED OR DIVULGED, IN WHOLE OR IN PART, WITHOUT WRITTEN AUTHORIZATION FROM RGI SPRAY BOOTHS



DRAWN Curtis K	4/6/2023	TOTAL FINISHING SOLUTIONS	
CHECKED		TITLE OPEN FACE 14'W X 9'H X 10'L	
QA		PART #	REV
MFG		DWG NO	8H_FAN
APPROVED		SCALE 1 / 18	SHEET 1 OF 2

8 7 6 5 4 4 3 2 1



30" TUBE AXIAL FAN

(2) 4' LED LIGHTS

(16) 20" X 20" EXHAUST FILTERS

9'-0"
INSIDE

10'-0"
INSIDE

10'-2 1/2"
OUTSIDE

14'-0"
INSIDE

15'-0"
OUTSIDE

11'-0"
OUTSIDE

DRAWN Curtis K	4/6/2023	TOTAL FINISHING SOLUTIONS	
CHECKED		TITLE	
QA		OPEN FACE 14'W X 9'H X 10'L	
MFG			
APPROVED		PART #	DWG NO
		SCALE	REV
		1 / 20	2 OF 2

