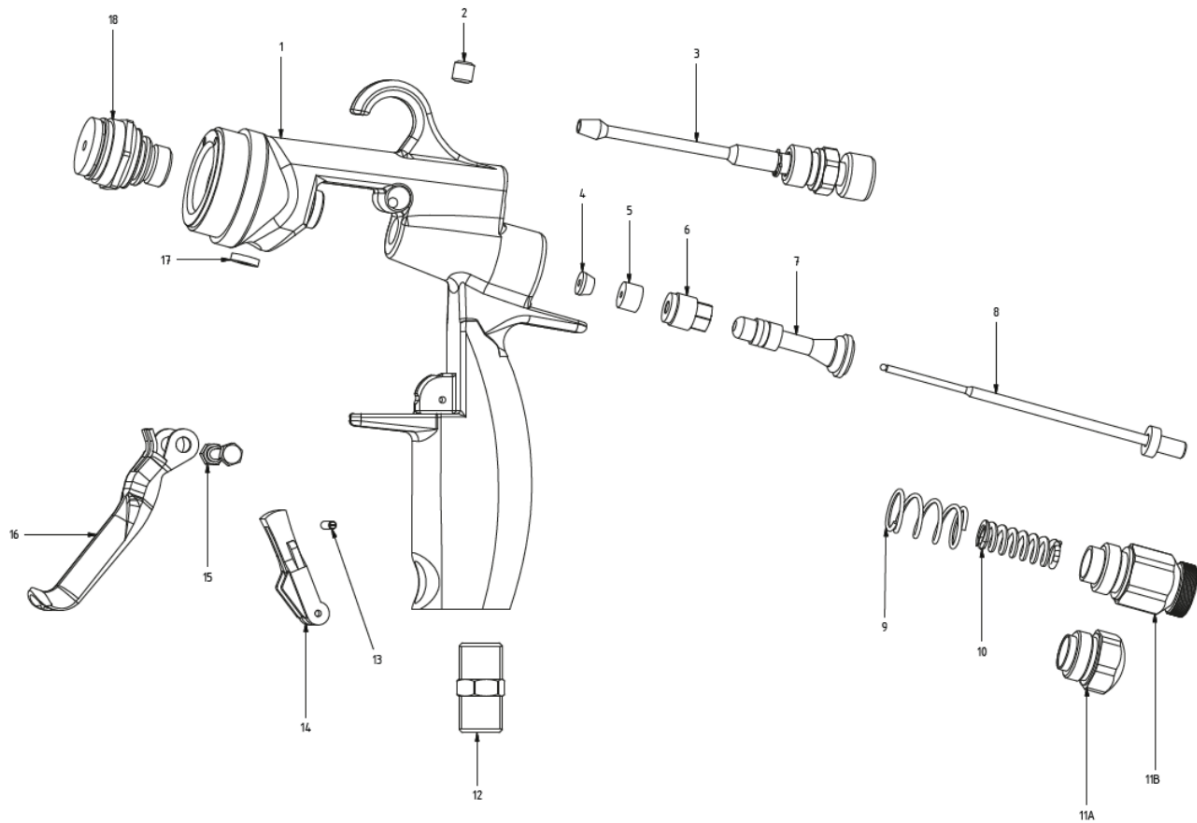


MAMBA



POS.	DESCRIPTION
2	Wedge
3	Fan regulation set
4	Pressure wedge
5	Fluid needle gasket
6	Fluid needle screw
7	Air valve complete
8	Needle set
9	Air valve spring
10	Needle spring
11A	Back cap
12	Air inlet 1/4"
13	Pin
14	Safety lock
15	Trigger pin
16	Trigger
17	Sealing gasket
18	Gun head
	Reversible tip guard airmix
	Rev tip Ultra Finish