



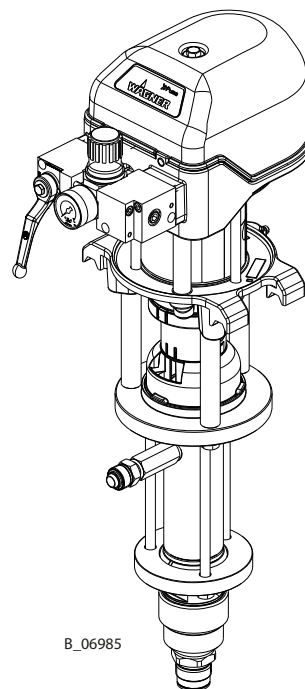
Translation of the Original Operating Manual

For professional use.
Always follow the information in this manual,
particularly the safety instructions and the warning
instructions. Store the manual in a safe place.

Version 08/2018

Wildcat 10-70 / 18-40
Puma 28-40 / 15-70
Puma 21-110 / 15-150
Leopard 35-70
Leopard 35-150 / 48-110
Jaguar 75-150

IceBreaker Piston Pumps
Flow rate 40 cm³ – 150 cm³



B_06985

Contents

1	ABOUT THESE INSTRUCTIONS	6
1.1	Preface	6
1.2	Warnings, Notices and Symbols in these Instructions	6
1.3	Languages	6
1.4	Service Manual	7
1.5	Abbreviations	7
1.6	Terminology for the Purpose of this Manual	7
2	CORRECT USE	8
2.1	Device Types	8
2.1.1	Pneumatic Pumps and Their Spraypacks	8
2.1.2	Special Versions for Acidic Hardeners and Their Spraypacks	8
2.2	Type of Use	8
2.3	For Use in Potentially Explosive Areas	8
2.4	Processible Working Materials	8
2.4.1	Special Versions for Acidic Hardeners	9
2.5	Misuse	9
3	IDENTIFICATION	10
3.1	Explosion Protection Identification	10
3.2	Identification "X"	10
3.3	Type plates	11
4	BASIC SAFETY INSTRUCTIONS	12
4.1	Safety Instructions for the Operator	12
4.1.1	Electrical Devices and Equipment	12
4.1.2	A Safe Work Environment	12
4.1.3	Personnel Qualifications	13
4.2	Safety Instructions for the Personnel	13
4.2.1	Personal Safety Equipment	13
4.2.2	Safe Handling of WAGNER Spray Devices	14
4.2.3	Grounding the Unit	14
4.2.4	Product hose	15
4.2.5	Cleaning and Flushing	16
4.2.6	Touching Hot Surfaces	16
4.2.7	Maintenance and Repair	17
4.2.8	Protective and Monitoring Equipment	17
5	DESCRIPTION	18
5.1	Components	18
5.2	Mode of Operation	18
5.2.1	Air motor	18
5.2.2	Fluid section	18
5.3	Protective and monitoring equipment	19
5.4	Included Items	19
5.5	Data	19
5.5.1	Materials of Paint-wetted Parts	19
5.5.2	Recommended Packings	20
5.5.3	Technical Data for Wildcat and Puma	21
5.5.4	Measurements and Connections for Wildcat and Puma	22

5.5.5	Technical Data for Leopard and Jaguar	23
5.5.6	Measurements and Connections for Leopard and Jaguar	24
5.5.7	Volume Flow	25
5.5.8	Performance diagrams	25
5.6	Operating elements	28
5.6.1	Pressure Regulator Unit	28
5.7	Product Filter and Return Line	28
5.7.1	High-pressure Filter (Option)	28
5.7.2	Relief Combination and Inline Filter up to 270 Bar (Option)	29
5.8	Stroke Count (Option)	29
5.9	Feed Pump (Option)	30
6	ASSEMBLY AND COMMISSIONING	31
6.1	Training of Assembly/Commissioning Personnel	31
6.2	Storage Conditions	31
6.3	Installation Conditions	31
6.4	Transportation	31
6.5	Assembly and Installation	32
6.5.1	Ventilation of the Spray Booth	33
6.5.2	Air Supply Lines	33
6.5.3	Product supply lines	33
6.6	Grounding	33
6.7	Commissioning	35
7	OPERATION	36
7.1	Training the Operating Personnel	36
7.2	Emergency Stop	36
7.3	Tasks	36
7.4	Pressure Relief/Work Interruption	37
7.5	Basic Flushing	38
7.6	Filling with Working Material	38
8	CLEANING AND MAINTENANCE	39
8.1	Cleaning	39
8.1.1	Cleaning Personnel	39
8.1.2	Decommissioning and Cleaning	39
8.1.3	Long-term Storage	39
8.2	Maintenance	40
8.2.1	Maintenance Personnel	40
8.2.2	Maintenance Instructions	40
8.2.3	Safety Checks and Maintenance Intervals	41
8.2.4	Emptying Pump	43
8.2.5	Filling the Empty Pump	44
8.2.6	Cleaning and Replacing the Filter	45
9	TROUBLESHOOTING AND RECTIFICATION	47
10	REPAIR WORK	48
10.1	Repair Personnel	48
10.2	Repair Notes	48
10.3	Tools	48
10.4	Cleaning the Parts After Disassembly	49
10.5	Assembly of the Device	49

11	FUNCTION TEST AFTER REPAIR WORK	50
12	DISPOSAL	50
13	ACCESSORIES	52
13.1	Wildcat and Puma Pumps	52
13.1.1	Product Outlet and Miscellaneous	52
13.1.2	Product inlet	54
13.1.3	Trolley, Frame and Wall Mount Accessories	56
13.2	Leopard and Jaguar Pumps	58
13.2.1	Product Outlet and Miscellaneous	58
13.2.2	Product inlet	60
13.2.3	Trolley and Wall Mount	62
14	SPARE PARTS	63
14.1	How can spare parts be ordered?	63
14.2	Overview of the Components	64
14.3	Air Motors	68
14.3.1	Wildcat, Puma and Leopard Air Motors	68
14.3.2	Wildcat and Puma Air Motor Regulators	71
14.3.3	Leopard Air Motor Regulator	72
14.3.4	Jaguar Air Motor	73
14.3.5	Jaguar Air Motor Regulator	76
14.4	Connection Sets	77
14.4.1	Connection Sets for 40–70 cm ³	77
14.4.2	Connection Sets for 110–150 cm ³	78
14.5	Fluid Sections	80
14.5.1	Fluid Sections 40 cm ³	80
14.5.2	Fluid Sections 70 cm ³	82
14.5.3	Fluid Sections 110 cm ³	84
14.5.4	Fluid Sections 150 cm ³	86
14.6	Inlet Valve with Valve Depressor	88
14.7	Relief Combination 270 Bar	88
14.8	Straight Inline Filter, 270 bar	89
14.9	Angled Inline Filter, 530 Bar	89
14.10	High-pressure Filter, 270 Bar	90
14.11	High-pressure Filter, 530 Bar	92
14.12	AirCoat Regulator and AirCoat Filter Regulator	94
14.13	Trolley for Wildcat, Puma and Leopard	95
14.14	Trolley for Leopard 48-110 and Jaguar	96
15	EU DECLARATION OF CONFORMITY	97

1 ABOUT THESE INSTRUCTIONS

1.1 PREFACE


The operating manual contains information about safely operating, maintaining, cleaning and repairing the device. The operating manual is part of the device and must be available to the operating and service personnel. The device may only be operated by trained personnel and in compliance with this operating manual.


Operating and service personnel should be instructed according to the safety instructions.


This equipment can be dangerous if it is not operated according to the instructions in this operating manual.


1.2 WARNINGS, NOTICES AND SYMBOLS IN THESE INSTRUCTIONS

Warning instructions in this manual highlight particular dangers to users and to the device and state measures for avoiding the hazard. These warning instructions fall into the following categories:

 **DANGER** Immediate risk of danger.
Non-observance will result in death or serious injury.

 **WARNING** Potential risk.
Non-observance can result in death or serious injury.

 **CAUTION** Potentially hazardous situation.
Non-observance may result in minor injury.

 **NOTICE** Potentially hazardous situation.
Non-observance may result in damage to property.

Notice Provides information about particular characteristics and how to proceed.

Explanation of warning notice:

LEVEL OF DANGER

This notice warns you of a hazard!

Possible consequences of not observing the warning notice.

→ The measures for preventing the hazard and its consequences.



1.3 LANGUAGES

The operating manual is available in the following languages:

Original operating manual

Language	Order No.
German	2333537

Translation of the original operating manual

Language	Order No.
French	2333539
Spanish	2333541
Japanese	2338088
Dutch	2367552

Language	Order No.
English	2333538
Italian	2333540
Russian	2351629
Hungarian	2352104

Additional languages on request or at: www.wagner-group.com

1.4 SERVICE MANUAL

The service manual is available in the following languages:

Language	Order No.	Language	Order No.
German	2335993	English	2335994

Additional languages on request or at: www.wagner-group.com

1.5 ABBREVIATIONS

Stk	Number of pieces	SSt	Stainless steel
Pos	Position	PE	Polyethylene
K	Marking in the spare parts lists	UHMWPE	Ultra-high molecular weight polyethylene
Order No.	Order number	PTFE	Polytetrafluorethylene
DH	Double stroke	TG	PTFE with graphite
DN	Nominal diameter	T	PTFE
PN	Nominal pressure	L	Leather
2K	Two components	--	--

1.6 TERMINOLOGY FOR THE PURPOSE OF THIS MANUAL

Cleaning	
Cleaning	Manual cleaning of devices and device parts with cleaning agent.
Flushing	Internal flushing of paint-wetted parts with flushing agent.
Product pressure generator	Pump or pressure tank.
Personnel qualifications	
Trained person	Is instructed in the tasks assigned to him/her, the potential risks associated with improper behavior as well as the necessary protective devices and measures.
Electrically trained person	Is instructed by an electrician about the tasks assigned to him/her, the potential risks associated with improper behavior as well as the necessary protective devices and measures.
Electrician	Can assess the work assigned to him/her and detect possible hazards based on his/her technical training, knowledge, experience and knowledge of the relevant provisions.
Skilled person in accordance with TRBS 1203 (2010/Revision 2012)	A person, who, based on his/her technical training, experience and recent vocational experience, has sufficient technical knowledge in the areas of explosion protection, protection from pressure hazards and electric hazards (if applicable) and is familiar with the relevant and generally accepted rules of technology so that he/she can inspect and assess the status of devices and coating systems based on workplace safety.

2 CORRECT USE

2.1 DEVICE TYPES

2.1.1 PNEUMATIC PUMPS AND THEIR SPRAYPACKS

Wildcat	Puma	Leopard	Jaguar
10-70	28-40	35-70	75-150
18-40	15-70	35-150	--
--	21-110	48-110	--
--	15-150	--	--

2.1.2 SPECIAL VERSIONS FOR ACIDIC HARDENERS AND THEIR SPRAYPACKS

Wildcat	Leopard
10-70 (TC 1.4404)	35-70 (TC 1.4404)

2.2 TYPE OF USE

The device is suitable for processing liquid products like paints and lacquers:

- Non-ignitable products.
- Products in accordance with their classification in explosion class IIB.

WAGNER explicitly prohibits any other use!

The device may only be operated under the following conditions:

- Use the device only to work with the products recommended by WAGNER.
- Do not deactivate safety fixtures.
- Use only WAGNER original spare parts and accessories.
- The operating personnel must be trained on the basis of this operating manual.

2.3 FOR USE IN POTENTIALLY EXPLOSIVE AREAS

The device can be employed in explosion hazard zones (Zone 1) (see Chapter 3).



2.4 PROCESSIBLE WORKING MATERIALS

- Fluid materials like paints and lacquers.

Application	WILDCAT	PUMA	PUMA	LEOPARD	LEOPARD	JAGUAR
	18-40 10-70	28-40	15-70 21-110 15-150	35-70	35-150 48-110	75-150
Water-dilutable products	↗	↗	↗	↗	↗	↗
Solvent-based lacquers and paints	↗	↗	↗	↗	↗	↗
Primers	⇒	⇒	⇒	↗	↗	↗
Epoxy and polyurethane lacquers, phenolic lacquers	⇒	↗	⇒	↗	↗	↗
Liquid plastics	↘	⇒	↘	↗	↗	↗
Wax-based underside protection	↘	↘	↘	↗	↗	↗
Chemically aggressive products that attack carbide seats	↘	↘	↘	↘	↘	↘
Special versions for 2K products: Wildcat 10-70 TC and Leopard 35-70 TC	↗	--	--	↗	--	--

↗ recommended ⇒ limited suitability

↘ not suitable

-- not compatible with 2K products



! NOTICE

Abrasive working materials and pigments!

Greater wear of product-wetted parts.

- Use the application-oriented model (flow rate/cycle, product, valves, etc.) as indicated in Chapter 5.5.
- Check if the fluids and solvents used are compatible with the pump construction materials as indicated in Chapter 5.5.1.
- Use suitable combinations of devices (packings, valves etc.)

Wear caused by abrasive working materials is not covered by the warranty.

Typical applications

Fields of application	WILDCAT 18-40 10-70	PUMA 28-40	PUMA 15-70 21-110 15-150	LEOPARD 35-70	LEOPARD 35-150 48-110	JAGUAR 75-150
Furniture industry	↗	↗	↗	↗	↗	↘
Kitchen manufacturers	↗	↗	↗	↗	↗	↘
Joinery	↗	↗	↗	↗	↘	↘
Window factories	↗	↗	↗	↗	↗	↘
Steel-processing industry	↘	↗	↘	↗	↗	↗
Construction of vehicles	↗	↗	↗	↗	↗	↗
Shipbuilding	↘	↘	↘	↗	↗	↗

↗ recommended ↗ limited suitability ↘ not suitable

2.4.1 SPECIAL VERSIONS FOR ACIDIC HARDENERS

! WARNING

Acidic hardeners!

Risk of burns and injury for skin, tissue and organs.

- Observe the lacquer manufacturer's safety data sheets and take prescribed safety measures.



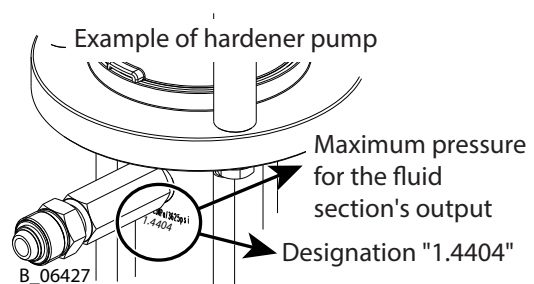
Special versions:

Wildcat 10-70 TC and Leopard 35-70 TC

Check products for compatibility: see Chapter 5.5.1.

Parts made of stainless steel 1.4404 are labeled with "1.4404" (see example).

Further information about operation with acidic hardeners can be found in the operating manual for the entire system.



2.5 MISUSE

Misuse can lead to physical injury and/or property damage!

Special attention must be paid that:

- No dry coating products, e.g., powder are processed.
- no food, medicine or cosmetics are processed.

It is important to note that the device's materials are not food-safe.

3 IDENTIFICATION

3.1 EXPLOSION PROTECTION IDENTIFICATION

As defined in the Directive 2014/34/EU (ATEX), the device is suitable for use in potentially explosive areas.

Device types: **IceBreaker Piston Pump**

Wildcat 10-70, Wildcat 18-40

Puma 28-40, Puma 15-70, Puma 21-110, Puma 15-150

Leopard 35-70, Leopard 35-150, Leopard 48-110

Jaguar 75-150

Manufacturer: Wagner International AG

CH-9450 Altstätten, Switzerland



CE  II 2 G Ex h IIB T3/T4 Gb X

CE: European Communities

Ex: Symbol for explosion protection

II: Device class II

2: Category 2 (zone 1)

G: Ex-atmosphere gas

Ex Explosion protection

h Ignition protection for non-electrical devices

IIB: Explosion group

T3: Maximum surface temperature < 200 °C; 392 °F (without drying protection active)

T4 Maximum surface temperature < 135 °C; 275 °F (with drying protection active)

Gb High safety level

X There are special instructions to ensure safe operation.
→ See the following Chapter "Identification X".



3.2 IDENTIFICATION "X"

The maximum surface temperature corresponds to the permissible product temperature. This and the permissible ambient temperature can be found in Chapter [5.5.3](#) and [5.5.5](#) (technical data regarding the Wildcat, Puma, Leopard and Jaguar pumps).

Safe Handling of WAGNER Spray Devices

Mechanical sparks can form if the device comes into contact with metal.

In an explosive atmosphere:

- knocking or pushing metal against metal is to be avoided;
- Do not drop the device or components.

Maximum surface temperature

The maximum surface temperature of the piston pump can be reached if it runs dry.

- Ensure that the piston pump is filled with sufficient working or flushing agent.
- Ensure that the separating agent tank is filled with sufficient separating agent.

Ignition temperature of the coating product

- Ensure that the ignition temperature of the surrounding gases (pumping product, cleaning agents) is higher than the maximum permitted surface temperature of the device.

Ambient temperature

- The permissible ambient temperature range is: 5 °C to 50 °C; 41 °F to 122 °F.



Medium supporting atomizing

→ To atomize the product, use only weakly oxidizing gases, e.g., air.

Surface spraying, electrostatics

→ Do not spray device parts using electrostatic equipment.

Cleaning

If there are deposits on the surfaces, the device may form electrostatic charges. Flames or sparks can form during discharge.

→ Remove deposits from the surfaces to maintain conductivity.

→ Use only a damp cloth to clean the device.

Air in the pump fluid

Ignitable gas mixtures can form if air enters the pump fluid.

→ Prevent the pump from taking in air and running dry.

→ If air has been taken in, fix the leak. Then, fill slowly and in a controlled manner until the air has escaped.

Air in the pumped fluid can be caused by damaged packings.

→ Avoid operating the pump with damaged packing.

→ Ensure that the separating agent tank is filled with sufficient separating agent.

→ Periodically check that the pump is working smoothly, paying special attention to the presence of air in the pumped fluid.

Filling and emptying

Ignitable gas mixtures can form in the fluid section or product hoses if the pump must be emptied for maintenance and/or repair purposes.

→ Empty and fill the device slowly and in a controlled manner.

→ Avoid potentially explosive atmosphere in the surroundings.



3.3 TYPE PLATES

Pos	Designation
1	Manufacturer and CE Identification
2	Pump type
3	Maximum product pressure
4	Pump ratio
5	Flow rate per double stroke
6	Maximum air inlet pressure
7	Maximum product temperature
8	Model year - serial number
9	Read the operating manual before use



4 BASIC SAFETY INSTRUCTIONS

4.1 SAFETY INSTRUCTIONS FOR THE OPERATOR

- Keep this operating manual at hand near the device at all times.
- Always follow local regulations concerning occupational safety and accident prevention.



4.1.1 ELECTRICAL DEVICES AND EQUIPMENT

Electric shock hazard!

Danger to life from electric shock

- Prepare device in accordance with the local safety requirements with regard to the operating mode and ambient influences.
- May only be maintained by skilled electricians or under their supervision. With open housings, the mains voltage poses a danger.
- Operate device in accordance with the safety regulations and electrotechnical regulations.
- Must be repaired immediately in the event of problems.
- Decommission if it poses a hazard or is damaged.
- Must be de-energized before work is commenced. Inform personnel about planned work. Observe electrical safety regulations.
- Ground all devices to a common grounding point.
- Only operate the device with a properly installed socket with a protective ground wire connection.
- Keep liquids away from electrical devices.



4.1.2 A SAFE WORK ENVIRONMENT

Hazard due to dangerous fluids or vapors!

Severe or fatal injuries due to explosion hazard or inhalation, swallowing or contact with the skin or eyes.

- Ensure that the floor in the working area is static dissipative in accordance with EN 61340-4-1 (resistance must not exceed 100 MΩ).
- Paint mist extraction systems/ventilation systems must be fitted on site according to local regulations.
- Make sure that the ground connection and potential equalization of all system parts are reliable and continuous and can withstand the expected stress (e.g. mechanical stress, corrosion).
- Ensure that product hoses / air hoses adapted to the working pressure are used.
- Ensure that personal protective equipment (see Chapter [4.2.1](#)) is available and is used.
- Ensure that all persons within the working area wear static dissipative shoes. Footwear must comply with EN 20344. The measured insulation resistance must not exceed 100 MΩ.
- Ensure that during spraying, persons wear electrically conductive gloves. The grounding takes place via the spray gun handle or the trigger.
- Protective clothing, including gloves, must comply with EN 1149-5. The measured insulation resistance must not exceed 100 MΩ.
- Ensure that there are no ignition sources such as naked flames, sparks, glowing wires, or hot surfaces in the vicinity. No smoking.



- Ensure that the pipe joints, hoses, equipment parts and connections are permanently, technically leak-proof:
 - Periodic preventative maintenance and service (replacing hoses, checking tightness strength of the connections etc.).
 - Regular monitoring of leaks and defects via visual inspection and odor testing, e.g., daily before commissioning, at the end of work or weekly.
- Ensure that maintenance and safety checks are performed regularly.
- In the event of defects, immediately bring the device or system to a stop and arrange to have repairs carried out immediately.

4.1.3 PERSONNEL QUALIFICATIONS

Hazard due to incorrect use of device!

Risk of death due to untrained personnel.

- Ensure that the operating personnel has been instructed by the operator in accordance with the operating manual and the operating instructions. The device must only be operated, maintained and repaired by trained personnel. Refer to the operating instructions for information about the required personnel qualifications.

4.2 SAFETY INSTRUCTIONS FOR THE PERSONNEL

- Always follow the information in this manual, particularly the safety instructions and the warning instructions.
- Always follow local regulations concerning occupational safety and accident prevention.
- In electrostatics applications: anyone who belongs to a risk group according to EMF Directive 2013/35/EU (e.g. those with active implants), must not enter the high-voltage area.



4.2.1 PERSONAL SAFETY EQUIPMENT

Hazard due to dangerous fluids or vapors!

Serious or fatal injuries due to inhalation, swallowing or contact with the skin or eyes.

- When preparing or working with lacquer and when cleaning the device, follow the working instructions of the manufacturer of the lacquers, solvents, and cleaning agents being used.
- Take the specified protective measures. In particular wear safety goggles, protective clothing and gloves, as well as hand protection cream if necessary.
- Use a mask or breathing apparatus if necessary.
- For sufficient health and environmental safety: Operate the device in a spray booth or on a spraying wall with the ventilation (extraction) switched on.
- Wear suitable protective clothing when working with hot products.



4.2.2 SAFE HANDLING OF WAGNER SPRAY DEVICES

Hazard due to injection of lacquer or flushing agent into the skin!

The spray jet is under pressure and can cause dangerous injuries. Avoid injection of lacquer or flushing agents:

- Never point the spray gun at people.
- Never reach into the spray jet.
- Before any work on the device, in the event of work interruptions and malfunctions:
 - Switch off the energy/compressed air supply.
 - Relieve the pressure from the spray gun and device.
 - Secure the spray gun against actuation.
 - Disconnect the control unit from the mains.
 - In the event of functional faults, remedy the fault as described in the "Troubleshooting" chapter.
- If necessary or at least every 12 months, the liquid ejection devices must be checked for safe working conditions by an expert (e.g. WAGNER Service Technician) in accordance with the guidelines for liquid ejection devices (ZH 1/406 and DGUV 100-500 Chapters 2.29 and 2.36).
 - For shut-down devices, the check can be postponed until the next start-up.



In the event of skin injuries caused by lacquer or flushing agents:

- Note the lacquer or flushing agent that you have been using.
- Consult a doctor immediately.

Danger due to recoil forces!

Actuating the trigger can cause strong recoil forces. Thereby, the user can lose his balance and injure himself when falling.

Avoid risk of injury from recoil forces:

- Ensure that you have firm footing when operating the spray gun.



4.2.3 GROUNDING THE UNIT

Hazard due to electrostatic charge!

Explosion hazard and damage to the device.

Friction, flowing liquids and air or electrostatic coating processes create charges. Flames or sparks can form during discharge.

Correct grounding of the entire spraying system prevents electrostatic charges.

- Ensure that all devices and tanks are grounded before each spraying process.
- Ground the work pieces to be coated.
- Ensure that all persons inside the working area are grounded, e.g., that they are wearing static dissipative shoes.
- Wear static dissipative gloves when spraying. The grounding takes place via the spray gun handle or the trigger.

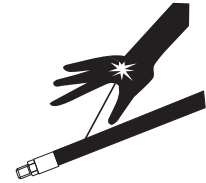


4.2.4 PRODUCT HOSE

Hazard due to bursting of product hose!

The product hose is under pressure and may cause dangerous injuries.

- Ensure that the hose material is chemically resistant to the sprayed products and the flushing agents used.
- Ensure that the product hose and the fittings are suitable for the pressure generated.
- Ensure that the following information can be seen on the high-pressure hose:
 - manufacturer
 - permissible operating pressure
 - date of manufacture
- Make sure that the hoses are laid only in suitable places. Hoses should not be laid in the following places under any circumstances:
 - in high-traffic areas
 - on sharp edges
 - on moving parts
 - on hot surfaces
- Ensure that the hoses are never run over by vehicles (e.g., fork lift trucks), or that the hoses are never put under pressure from the outside in any other way.
- Ensure that the hoses are never kinked. Observe maximum bending radii.
- Ensure that no work is ever performed with a damaged hose.
- Make sure that the hoses are never used to pull or move the equipment.
- The electrical resistance of the product hose, measured at both valves, must be less than 1 MΩ.
- Suction hoses may not be subjected to pressure.



Several liquids have a high expansion coefficient. In some cases, their volume can rise with consequent damage to pipes, fittings, etc. and cause fluid leakage.

When the pump sucks liquid from a closed tank, ensure that air or a suitable gas can enter the tank. Thus a negative pressure is avoided. The vacuum could implode the tank (squeeze) and can cause it to break. The tank would leak and the liquid would flow out. The pressure created by the pump is a multiplication of the inlet air pressure.

4.2.5 CLEANING AND FLUSHING

Hazard due to cleaning and flushing!

Explosion hazard and damage to the device.

- Preference should be given to non-ignitable cleaning and flushing agents.
- When carrying out cleaning work with flammable cleaning agents, make sure that all equipment and resources (e.g., collection tank, funnel, transport cart) are conductive or static dissipative and grounded.
- Observe the specifications of the lacquer manufacturer.
- Ensure that the flash point of the cleaning agent is at least 15 K above the ambient temperature or that cleaning is undertaken at a cleaning station with technical ventilation.
- Never use chloride or halogenated solvents (such as trichloroethane and methylene chloride) with units containing aluminium or galvanized and zinc-plated parts. They may react chemically thus producing an explosion danger.
- Take measures for workplace safety (see Chapter 4.1.2).
- When commissioning or emptying the device, please note that:
 - depending upon the coating product used,
 - depending on the flushing agent (solvent) used,
 an explosive mixture may temporarily exist inside the lines and components of equipment.
- Only electrically conductive tanks may be used for cleaning and flushing agents.
- The tanks must be grounded.



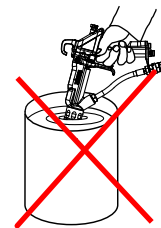
An explosive gas/air mixture forms in closed tanks.

- Never spray into a closed tank when using solvents for flushing.

External Cleaning

When cleaning the exterior of the device or its parts, also observe the following:

- Relieve the pressure from the device.
- De-energize the device electrically.
- Disconnect the pneumatic supply line.
- Use only moistened cloths and brushes. Never use abrasive agents or hard objects, and never spray cleaning agents with a spray gun. Cleaning the device must not damage it in any way.
- Ensure that no electric component is cleaned with or immersed into solvent.



4.2.6 TOUCHING HOT SURFACES

Hazard due to hot surfaces because of hot coating products!

Risk of burn injuries

- Only touch hot surfaces if you are wearing protective gloves.
- When operating the device with a coating product with a temperature of > 43 °C; 109 °F:
 - Identify the device with a warning label "Warning – hot surface".

Part no.

9998910 instruction label

9998911 protection label

Note: Order the two stickers together.



4.2.7 MAINTENANCE AND REPAIR

Hazard due to improper maintenance and repair!

Danger to life and equipment damage.

- Only a WAGNER service center or a suitably trained person may carry out repairs and replace parts.
- Use only WAGNER original spare parts and accessories.
- Do not change or modify the device; if change is necessary, contact WAGNER.
- Only repair and replace parts that are listed in Chapter [13](#) and Chapter [14](#) that are assigned to the unit.
- Do not use any defective components.
- Exclusively use accessories listed in Chapter [13](#) and that are assigned to the unit.
- Before all work on the device and in the event of work interruptions:
 - Relieve the pressure from the spray gun, high-pressure hoses and all devices.
 - Secure the spray gun against actuation.
 - Switch off the energy and compressed air supply.
 - Disconnect the control unit from the mains.
- Observe the operating and service manual for all work.

4.2.8 PROTECTIVE AND MONITORING EQUIPMENT

Hazard due to removal of protective and monitoring equipment!

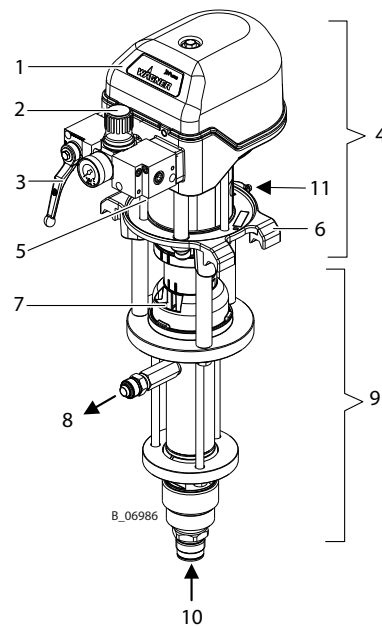
Danger to life and equipment damage.

- Protective and monitoring equipment must not be removed, modified or rendered unusable.
- Regularly check for perfect functioning.
- If defects are detected on protective and monitoring equipment, the system must not be operated until these defects are remedied.

5 DESCRIPTION

5.1 COMPONENTS

Pos	Designation
1	Control housing with integrated silencer
2	Air pressure regulator
3	Ball valve
4	Air motor
5	Compressed air inlet
6	Mounting flange
7	Separating agent cup
8	Product outlet
9	Fluid section
10	Product inlet
11	Grounding connection



5.2 MODE OF OPERATION

The piston pump is driven with compressed air (2). This compressed air moves the air piston up and down in the air motor (4) and it also moves the associated pump piston up and down in the fluid section (9).

In the control housing (1), the air pressure is redirected at the end of each stroke with the help of the reversing valve. The working material is sucked up during the upwards stroke and is continuously conveyed towards the product outlet (8) in both stroke directions.

5.2.1 AIR MOTOR

The air motor (4) with its pneumatic reverse (1) does not require pneumatic oil.

The compressed air is fed to the motor via the air regulator (2) and the ball valve (3).

The air motor (4) is fitted with a safety valve in accordance with Chapter [5.3](#).

5.2.2 FLUID SECTION

The fluid section (9) has been designed as a piston pump with exchangeable ball valves. The hard chrome-plated pump piston runs in two fixed packings which are self-adjusting by means of a pressure spring, thus resulting in a long service life.

Between the air motor (4) and the fluid section (9) there is a separating agent cup (7) for holding the separating agent.

5.3 PROTECTIVE AND MONITORING EQUIPMENT

WARNING

Overpressure!

Danger to life from bursting device components.

→ Never change the safety valve setting.



The air motor is fitted with a safety valve. The safety valve has been set and sealed at the factory. In case of pressures over and above the permissible operating pressure, the spring-loaded valve, automatically opens and releases the excess pressure.

The control housing is equipped with noise insulation. Never operate the device without noise insulation.

The connection set is equipped with a coupling cover. Never operate the device without a coupling cover.

5.4 INCLUDED ITEMS

Pneumatic piston pump	
–	Fluid section
–	Air motor
–	Connection set for air motor - fluid section
–	Air pressure regulator for air motor

The standard equipment includes:

Stk	Order No.	Designation
1	9992504	Separating agent 250 ml; 250 cc
1	2333537	Operating manual, in German
1	see Chapter 15	Declaration of Conformity
1	see Chapter 1.3	Operating manual in the local language

The delivery note shows the exact scope of delivery. Accessories: see Chapter 13.

5.5 DATA

5.5.1 MATERIALS OF PAINT-WETTED PARTS

Paint-wetted part	Product
Housing	Stainless steel
Piston	Stainless steel and hard chrome
Valve balls	Stainless steel
Valve seats	Carbide
O-rings	PTFE
Packings	Standard PE/ TG

TG = PTFE with graphite

PE = Ultra high molecular weight polyethylene

5.5.1.1 MATERIALS OF THE PAINT-WETTED PARTS FOR ACIDIC HARDENERS

Special versions for working with acidic hardeners

Pumps	Product
Wildcat 10-70 TC 1.4404	1.4301, 1.4404, 1.4408, 1.4571
Leopard 35-70 TC 1.4404	Fluoroelastomer, carbide, Polyethylene, Polytetrafluorethylene

5.5.2 RECOMMENDED PACKINGS

WAGNER packings for this device:

Code	Product	Color
L	Leather	dark brown
TG	PTFE with graphite	black
PE	Ultra high molecular weight polyethylene	transparent
T	PTFE	white

Each product has the following properties, which influence the packings:

Designation	L	TG	PE	T
Mechanical stability	poor	good	good	poor
Friction coefficient	poor	very good	good	very good
Sealing force	good*	good	good	good
Chemical resistance	poor	good	very good	very good
Temperature resistance	good	poor - good	very good	poor

* for abrasive products

Standard combinations	
Standard pumps	PE / TG
Heavy duty (high-pressure) pumps	PE/L
Hardener pumps in 2K systems:	PE/T

5.5.3 TECHNICAL DATA FOR WILDCAT AND PUMA

Description	Units	WILDCAT 10-70	WILDCAT 18-40	PUMA 28-40	PUMA 15-70	PUMA 21-110	PUMA 15-150
Pump ratio		10:1	18:1	28:1	15:1	21:1	15:1
Volume flow per double stroke (DH)	cm ³ ; cc	70	40	40	70	110	150
Maximum operating overpressure	MPa	8	14.4	22.4	12	16.8	12
	bar	80	144	224	120	168	120
	psi	1160	2089	3249	1740	2436	1740
Maximum possible strokes in operation	DH/min.	60					
Maximum recommended strokes per minute in continuous operation	DH/min.	40					
Minimum/maximum air inlet pressure	MPa	0.25–0.8					
	bar	2.5–8					
	psi	36–116					
Compressed air quality: free from oil and water		Quality standard 7.5.4 according to ISO 8573.1, 2010 7: Particle concentration 5 – 10 mg/m ³ 5: Humidity: pressure dew point ≤ 7 °C 4: Oil content ≤ 5 mg/m ³					
∅ air inlet (inside thread)	inch	G 1/2"					
Minimum ∅ of the compressed air supply line	mm; Inch	9; 0.35					
Air consumption at 0.6 MPa; 6 bar; 87 psi per double stroke	nl scf	5.3		8.3		16.5	
		0.19		0.29		0.58	
Air motor piston diameter	mm; Inch	80; 3.2		100; 4			
Air motor piston stroke	mm; Inch	75; 3		75; 3		150; 6	
Sound pressure level at maximum permissible air pressure*	dB(A)	77	77	78	77	78	78
Sound pressure level at 0.6 MPa; 6 bar; 87 psi air pressure*	dB(A)	74	74	74	74	74	74
Sound pressure level at 0.4 MPa; 4 bar; 58 psi air pressure*	dB(A)	69	69	69	69	69	69
Product inlet (outside thread)	mm	M 36×2					
Product outlet (outside thread)	mm	M 24×1.5					
Weight	kg; lb	17; 38	15; 33	16; 35	18; 40	28; 62	
Product pH value	pH	3.5–9					
Product pH value with acidic hardeners	pH	**	--				
Maximum product pressure at pump inlet	MPa	2					
	bar	20					
	psi	290					
Product temperature	°C; °F	5–80; 41–176					
Ambient temperature	Construction and assembly	5–50; 41–122					
	Storage	-20–60; -4–140					
Relative humidity	%	10–95 (without condensation)					
Allowable inclination for operation	<°	± 10					

** Check products for compatibility (Chapter [5.5.1.1](#)).

* A-rated sound pressure level measured at 1 m distance, LpA1m, according to DIN EN 14462: 2005. Reference measurements have been made by SUVA (Swiss Accident Insurance Institute).

WARNING

Exhaust air containing oil!

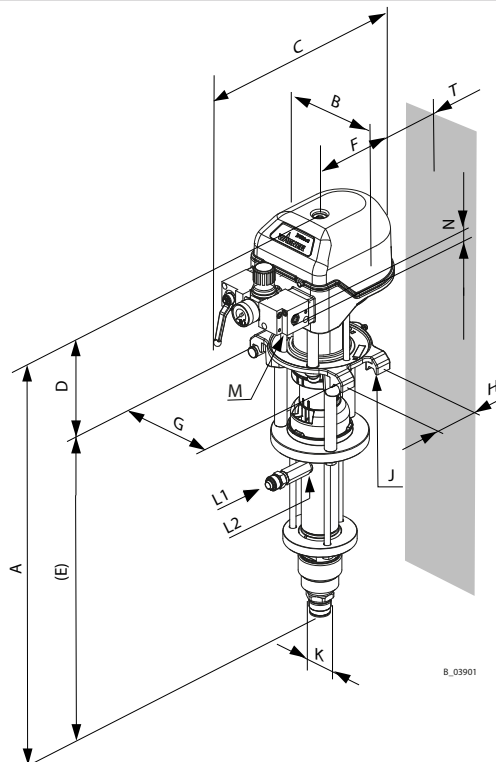
Risk of poisoning if inhaled.

→ Provide compressed air free from oil and water.

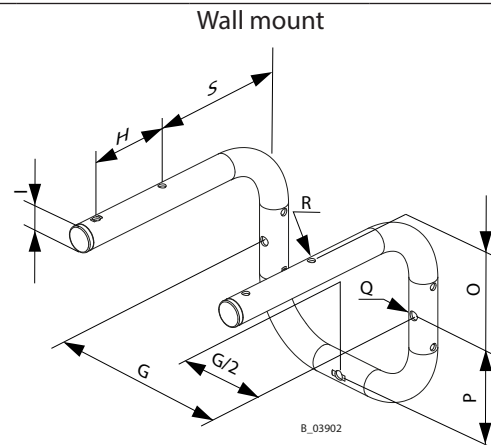


5.5.4 MEASUREMENTS AND CONNECTIONS FOR WILDCAT AND PUMA

Pos	WILDCAT 10-70 mm; Inch	WILDCAT 18-40 mm; Inch	PUMA 28-40 mm; Inch	PUMA 15-70 mm; Inch	PUMA 21-110 mm; Inch	PUMA 15-150 mm; Inch
A	736; 29	722; 28.4		736; 29	1034; 40.7	
B	169; 6.7					
C	~ 321; 12.6					
D	261.5; 10.3				336; 13.2	
E	474.5; 18.7	460.5; 18.1		474.5; 18.7	698; 27.5	
F	134; 5.3					
G	182; 7.2					
H	80; 3.2					
I	ø 25; ø 1					
J	M6					
K	M36x2					
L1	M24x1.5					
L2	G3/8"					
M	G1/2"					
N	G1/4"					
O	106; 4.2					
P	96.5; 3.8					
Q	ø 9; ø 0.35					
R	ø 7; ø 0.28					
S	149; 5.9					
T	55; 2.2					



B_03901



B_03902

5.5.5 TECHNICAL DATA FOR LEOPARD AND JAGUAR

Description	Units	LEOPARD 35-70	LEOPARD 48-110	LEOPARD 35-150	JAGUAR 75-150
Pump ratio		35:1	48:1	35:1	75:1
Volume flow per double stroke (DH)	cm ³ ; cc	70	110	150	150
Maximum operating overpressure	MPa	25	38	27	53
	bar	250	380	270	530
	psi	3626	5511	3916	7687
Maximum possible strokes in operation	DH/min	60			
Maximum recommended strokes per minute in continuous operation	DH/min	40			
Minimum/maximum air inlet pressure	MPa	0.25–0.71	0.25–0.8	0.25–0.77	0.25–0.71
	bar	2.5–7.1	2.5–8	2.5–7.7	2.5–7.1
	psi	36–103	36–116	36–112	36–103
Compressed air quality: free from oil and water		Quality standard 7.5.4 according to ISO 8573.1, 2010 7: Particle concentration 5 – 10 mg/m ³ 5: Humidity: pressure dew point ≤ 7 °C 4: Oil content ≤ 5 mg/m ³			
∅ air inlet (inside thread)	inch	G1/2"			G1"
Minimum ∅ of the compressed air supply line	mm; Inch	13; 0.51			25; 0.98
Air consumption at 0.6 MPa; 6 bar; 87 psi per double stroke	nl	18.6	37.3		79.9
	scf	0.66	1.32		2.82
Air motor piston diameter	mm; Inch	150; 6			220; 8.7
Air motor piston stroke	mm; Inch	75; 3	150; 6		
Sound pressure level at maximum permissible air pressure*	dB(A)	77	78	80	83
Sound pressure level at 0.6 MPa; 6 bar; 87 psi air pressure*	dB(A)	74		78	81
Sound pressure level at 0.4 MPa; 4 bar; 58 psi air pressure*	dB(A)	71	69	74	
Product inlet (outside thread)	mm	M36×2			
Product outlet (outside thread)	mm	M24×1.5			
Weight	kg; lb	26; 57	36; 79		53; 117
Product pH value	pH	3.5–9			
Product pH value with acidic hardeners	pH	**	--		
Maximum product pressure at pump inlet	MPa	2			
	bar	20			
	psi	290			
Product temperature	°C; °F	5–80; 41–176			
Ambient temperature	Construction and assembly	5–50; 41–122			
	Storage	-20–60; -4–140			
Relative humidity	%	10–95 (without condensation)			
Allowable inclination for operation	<) °	± 10			

** Check products for compatibility (Chapter 5.5.1.1).

* A-rated sound pressure level measured at 1 m distance, LpA1m, according to DIN EN 14462: 2005.

Reference measurements have been made by SUVA (Swiss Accident Insurance Institute).

⚠ WARNING**Exhaust air containing oil!**

Risk of poisoning if inhaled.

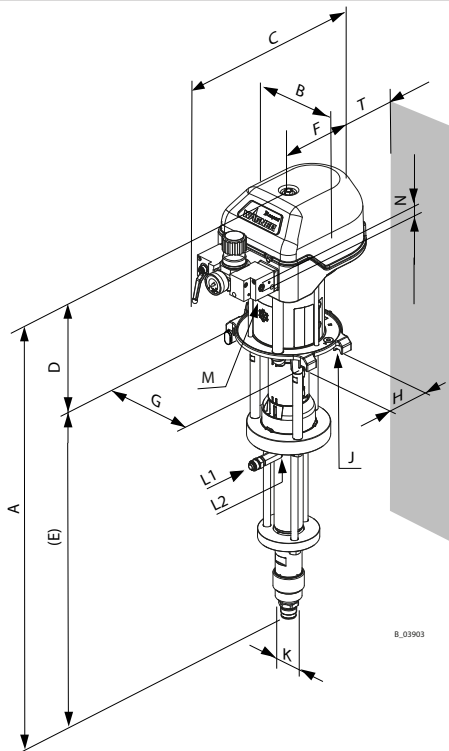
→ Provide compressed air free from oil and water.



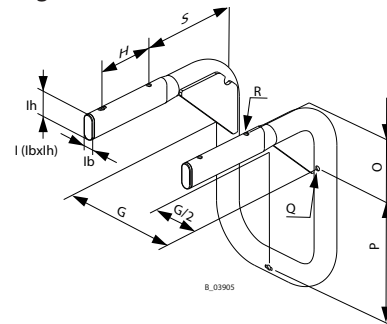


5.5.6 MEASUREMENTS AND CONNECTIONS FOR LEOPARD AND JAGUAR

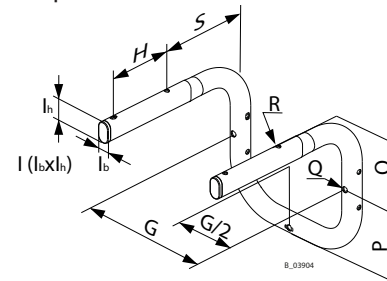
Pos	LEOPARD 35-70 mm; inch	LEOPARD 48-110 mm; inch	LEOPARD 35-150 mm; inch	JAGUAR 75-150 mm; inch
A	799; 31.5	1080; 42.5		1200; 47.2
B		240; 9.4		304; 12
C		~ 434; 17.1		~ 595; 23.4
D	305; 12	380; 15		516; 20.3
E	490; 19.3	705; 27.6		684; 26.9
F		192; 7.6		244; 9.6
G		230; 9.1		
H		110; 4.3		
I		20x35; 0.8x1.4		20x48; 0.8x1.9
J		M6		M8
K		M36x2		
L1		M24x1.5		
L2		G3/8"		
M		G1/2"		G1"
N		G1/4"		--
O		129; 5.1		135.5; 5.3
P		111.5; 4.4		238; 9.4
Q		ø 9; ø 0.35		
R		ø 7; ø 0.28		ø 9; ø 0.35
S		167; 6.6		206; 8.1
T		30; 1.2		17; 0.67



Jaguar wall mount



Leopard wall mount





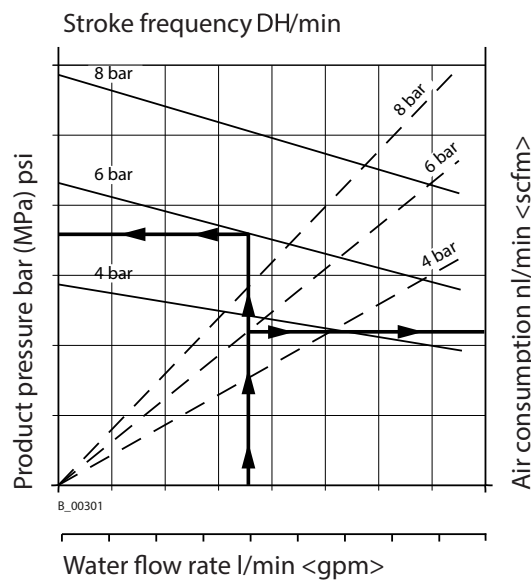
5.5.7 VOLUME FLOW

WAGNER AL nozzles			Volume flow* in l/min				Maximum ranges for continuous operation at 40 DS/min
ø inch	ø mm	Spray angle	7 MPa 70 bar 1015 psi	10 MPa 100 bar 1450 psi	15 MPa 150 bar 2175 psi	20 MPa 200 bar 2900 psi	
0.007	0.18	40°	0.17	0.20	0.21	0.22	Wildcat 18-40 Puma 28-40
0.009	0.23	20-30-40-50-60°	0.21	0.25	0.31	0.36	
0.011	0.28	10-20-30-40-50-60°	0.30	0.35	0.43	0.50	
0.013	0.33	10-20-30-40-50-60-80°	0.45	0.53	0.62	0.68	
0.015	0.38	10-20-30-40-50-60-80°	0.58	0.67	0.81	0.91	
0.017	0.43	20-30-40-50-60-70°	0.73	0.79	1.06	1.23	
0.019	0.48	20-30-40-50-60-70-80°	0.93	1.09	1.37	1.47	
0.021	0.53	20-40-50-60-80°	1.14	1.36	1.69	1.78	
0.023	0.58	20-40-50-60-70-80°	1.37	1.59	2.01	2.24	
0.025	0.64	20-40-50-60-80°	1.62	1.91	2.40	2.60	
0.027	0.69	20-40-50-60-80°	1.83	2.13	2.68	3.12	Puma 21-110 Leopard 48-110
0.029	0.75	60°	2.19	2.51	3.17	3.63	
0.031	0.79	20-40-50-60°	2.40	2.77	3.49	4.00	
0.035	0.90	20-40-50-60°	3.22	3.74	4.69	5.14	Puma 15-150 Leopard 35-150 Jaguar 75-150
0.043	1.10	20-50°	5.07	6.04	7.46	7.84	
0.052	1.30	50°	5.12	6.10	7.52	8.06	

* Volume flow refers to water.

5.5.8 PERFORMANCE DIAGRAMS

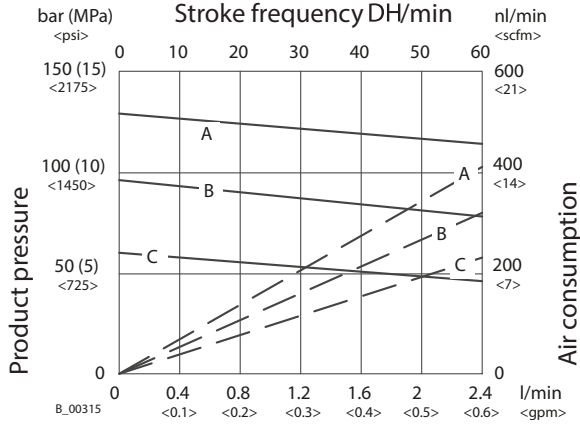
Example



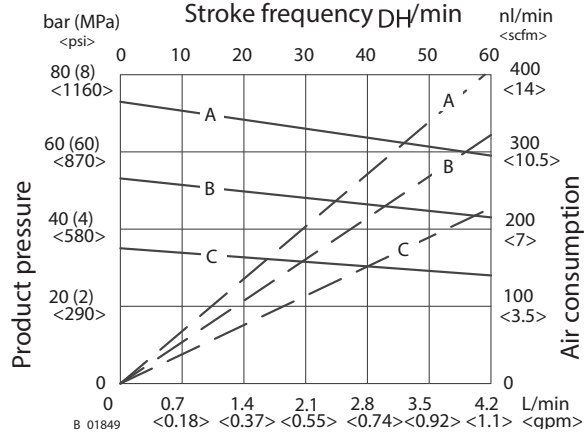
OPERATING MANUAL



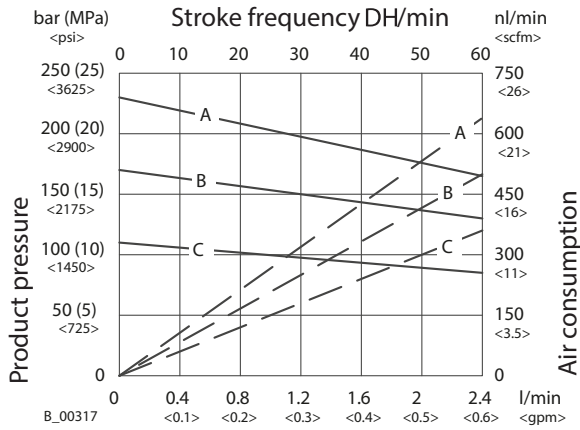
WILDCAT 18-40



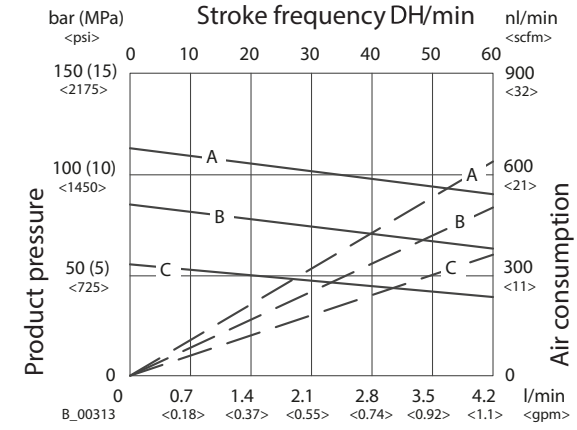
WILDCAT 10-70



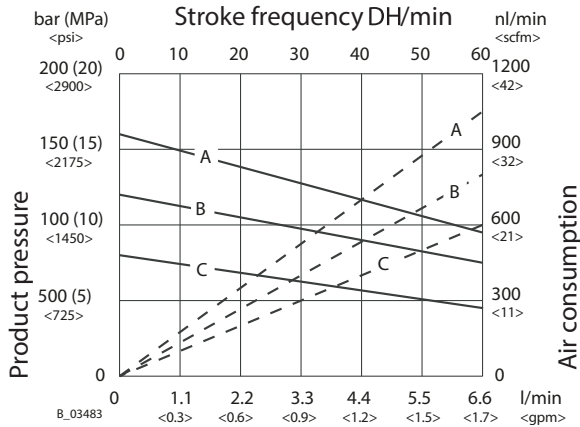
PUMA 28-40



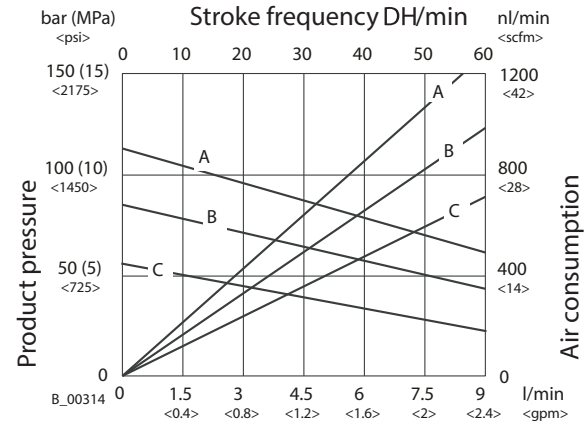
PUMA 15-70



PUMA 21-110



PUMA 15-150



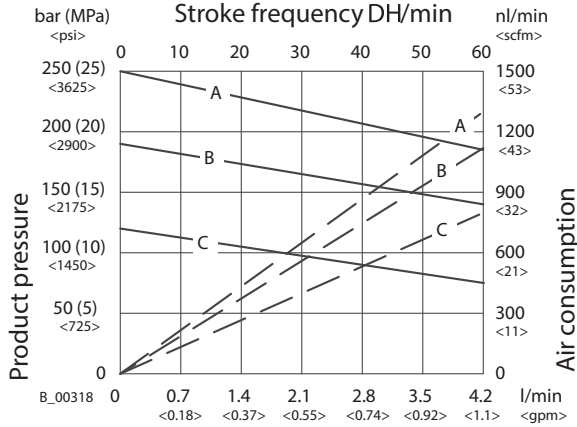
Flow rate (water)
 A = 8 bar; 0.8 MPa; 116 psi air pressure
 B = 6 bar; 0.6 MPa; 87 psi air pressure
 C = 4 bar; 0.4 MPa; 58 psi air pressure

Flow rate (water)
 A = 8 bar; 0.8 MPa; 116 psi air pressure
 B = 6 bar; 0.6 MPa; 87 psi air pressure
 C = 4 bar; 0.4 MPa; 58 psi air pressure

OPERATING MANUAL

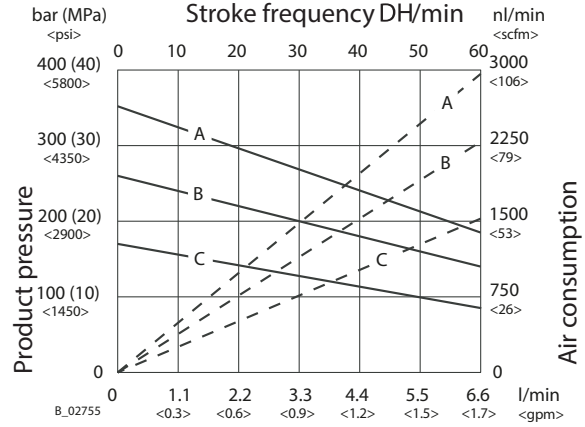


LEOPARD 35-70



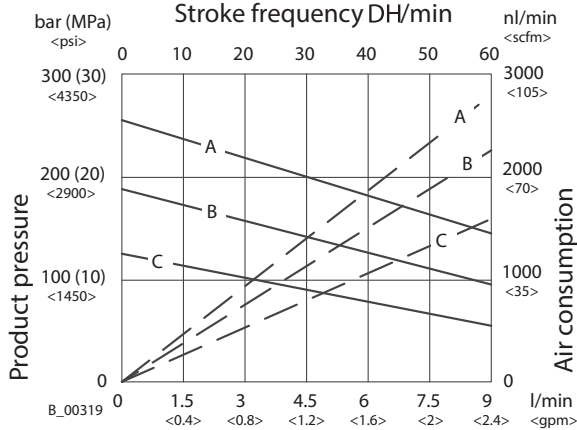
Flow rate (water)
 A = 7.1 bar; 0.71 MPa; 103 psi air pressure
 B = 6 bar; 0.6 MPa; 87 psi air pressure
 C = 4 bar; 0.4 MPa; 58 psi air pressure

LEOPARD 48-110



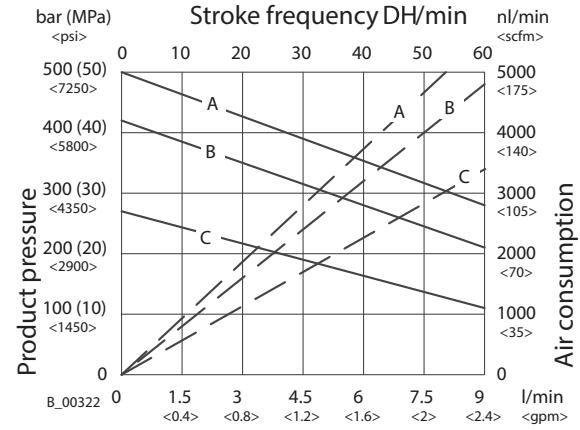
Flow rate (water)
 A = 8 bar; 0.8 MPa; 116 psi air pressure
 B = 6 bar; 0.6 MPa; 87 psi air pressure
 C = 4 bar; 0.4 MPa; 58 psi air pressure

LEOPARD 35-150



Flow rate (water)
 A = 7.7 bar; 0.77 MPa; 112 psi air pressure
 B = 6 bar; 0.6 MPa; 87 psi air pressure
 C = 4 bar; 0.4 MPa; 58 psi air pressure

JAGUAR 75-150

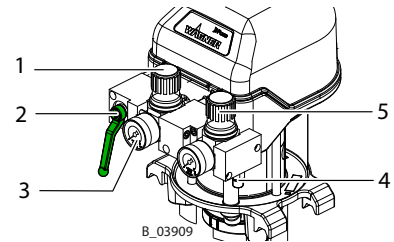


Flow rate (water)
 A = 7.1 bar; 0.71 MPa; 103 psi air pressure
 B = 6 bar; 0.6 MPa; 87 psi air pressure
 C = 4 bar; 0.4 MPa; 58 psi air pressure

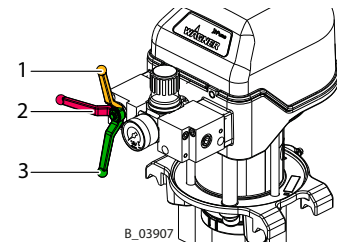
5.6 OPERATING ELEMENTS

5.6.1 PRESSURE REGULATOR UNIT

Puma 28-40 AirCoat pneumatic pump	
Pos	Designation
1	Pressure regulator
2	Ball valve
3	Pressure gauge
4	Compressed air inlet
5	AirCoat regulator (option)



Puma 28-40 Airless pneumatic pump	
Pos	Positions of the ball valve
1	Closed: working pressure in the air motor will be relieved (control pressure is still present).
2	Closed: The air motor may still be under pressure.
3	Open: working position



5.7 PRODUCT FILTER AND RETURN LINE

So that complete pressure relief of the pump can be performed (see Chapter 7.4), a high-pressure filter with a return line or a relief combination, is mandatory.

5.7.1 HIGH-PRESSURE FILTER (OPTION)

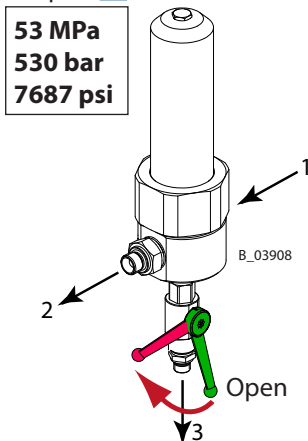
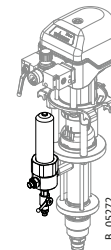
To ensure problem-free operation it is recommended that a WAGNER high-pressure filter be used.

These have been developed especially for WAGNER pneumatic pumps.

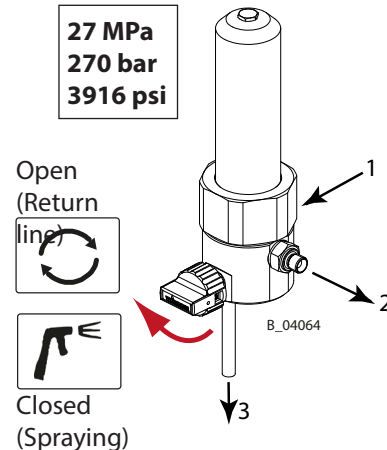
The filter inserts can be exchanged depending on the product to be used.

The high-pressure filter, which corresponds to the device, can be found in Chapter 13. The compatible filter inserts can be found in Chapter 14.

Preferred filter installation pos.



Pos	Designation
1	Fluid section connection
2	Product outlet
3	Return line





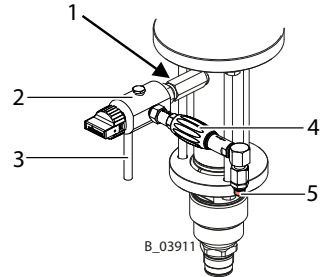
5.7.2 RELIEF COMBINATION AND INLINE FILTER UP TO 270 BAR (OPTION)

Instead of the standard high-pressure filter the lower-cost filter-relief combination and an inline filter can be used if only a small volume of product will be processed.

Application: in pumps with a maximum product pressure of 270 bar; 3916 psi.

Relief combination and inline filter (see Chapter 13).

27 MPa, 270 bar, 3916 psi



Pos	Designation
1	Fluid section connection
2	Relief combination
3	Return line
4	Inline filter
5	Product outlet

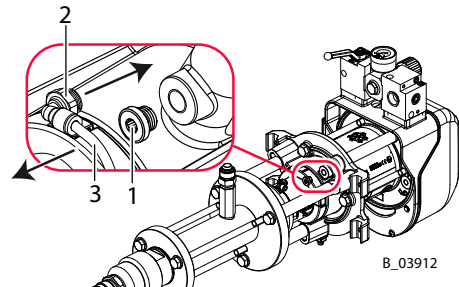
5.8 STROKE COUNT (OPTION)

Each air motor has a 1/8" air connection with which the air pressure in the lower air motor chamber can be measured. This signal can be used for counting the strokes in an external controller, for example.

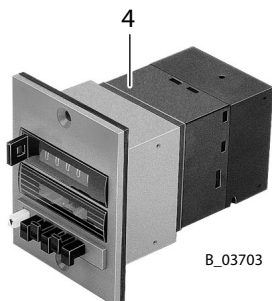
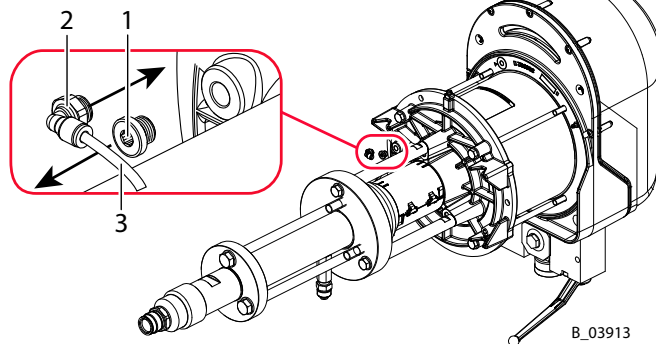
The pressure signal corresponds to the set working air pressure and is available during the complete upwards stroke of the pump. If both of the signal edges are evaluated, the upper and lower reversal point can be determined. An air hose (4/2-mm; 0.16/0.08-inch) is used as an air signal line.

Pos	Order No.	Designation
1	9998675	Threaded plug
2	9999066	Male stud elbow
3	9982072	Air hose (per meter)
4	9943049	Pneumatic pre-selection counter

Pneumatic pumps: Wildcat, Puma and Leopard



Pneumatic pumps: Jaguar



5.9 FEED PUMP (OPTION)

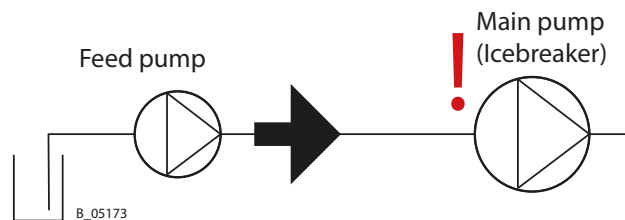
A feed pump can be used with high-viscosity products or longer feed lines.

Dimensioning of the feed pump

- The IceBreaker piston pumps pump the working product to the product output with up and down strokes but only draw in new product on the up stroke. The feed pump therefore has to pump twice the volumetric flow.

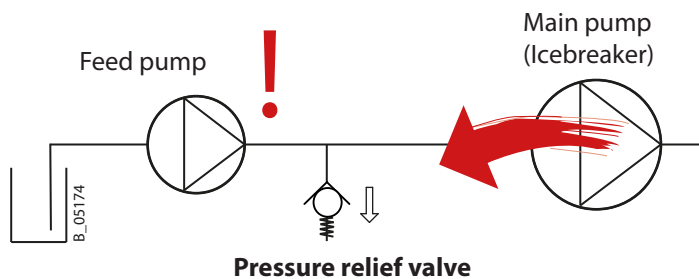
Main pump protection

- The maximum product pressure at the pump inlet of the IceBreaker pump may not be exceeded.



Protection of feed pump

- If the maximum pressure of the feed pump is lower than the maximum pressure of the main pump, this could be exceeded if the main pump malfunctions. The feed pump and connection line must therefore be protected from excessive overpressure. An overpressure valve must then be installed between the feed pump and main pump.
- Observe the flow direction during installation.



- The pressure-relief valve must be cleaned regularly and after each activation: Flush with solvent.

Installation sets and compatible feed pumps

- See assembly manual "Feed pump installation sets", order no. 2357584.

6 ASSEMBLY AND COMMISSIONING

6.1 TRAINING OF ASSEMBLY/COMMISSIONING PERSONNEL

- The assembly and commissioning personnel must have the technical skills to safely commission the device.
- When assembling, commissioning and carrying out all work, read and follow the operating manuals and safety regulations for the additionally required system components.

A skilled person must check to ensure that the device is in a reliable state after it is installed and commissioned.

6.2 STORAGE CONDITIONS

Until the point of assembly, the device must be stored in a dry location, free from vibrations and with a minimum of dust. The device must be stored in closed rooms.

The air temperature at the storage location must be between -20 °C and 60 °C (-4 °F and 140 °F).

The relative air humidity at the storage location must be between 10 and 95% (without condensation).

6.3 INSTALLATION CONDITIONS

The air temperature at the installation site must be in a range between 5 °C and 50 °C; 41 °F and 122 °F.

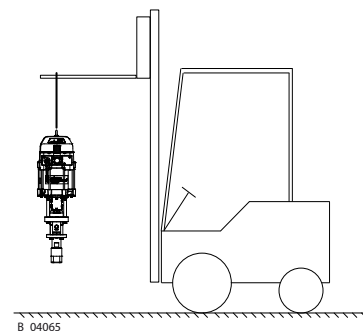
The relative air humidity at the installation site must be between 10 and 95% (without condensation).

6.4 TRANSPORTATION

Only the pump, without trolleys, may be lifted by the lifting eye nut or lifting eye bolt (see accessories) and transported short distances.

Wildcat, Puma and Leopard: The pump can be moved on a trolley (4"/6" trolley) or manually without lifting equipment or a crane.

Jaguar: The pump must be moved on a trolley (heavy-duty PC trolley) or with lifting equipment or a crane.



6.5 ASSEMBLY AND INSTALLATION

WARNING

Inclined ground!

Risk of accidents if the device rolls away/falls.

- Place the device on horizontal floor.
- If the floor is inclined, position the feet of the trolley towards the gradient.
- Secure the trolley.

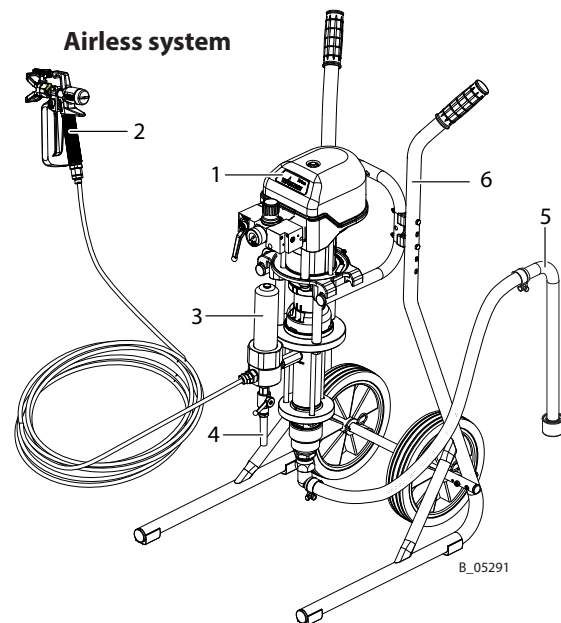
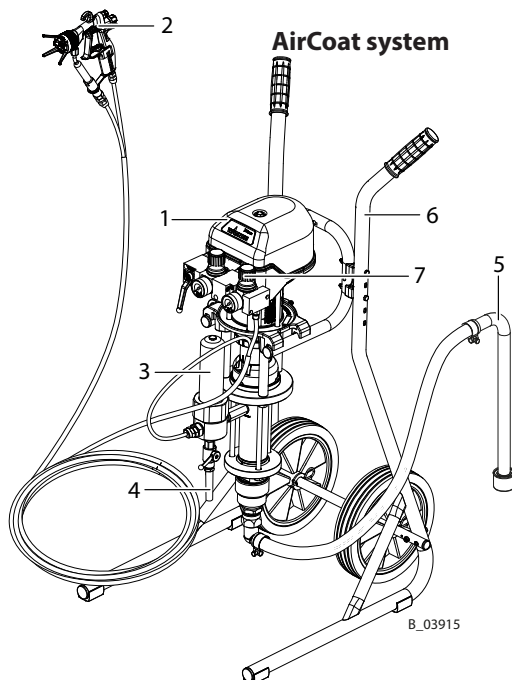


National regulations

- Ensure that the national explosion prevention rules and regulations are observed when setting up the device.

This pump can be used as part of a spraying system for Airless or AirCoat applications. The individual components are shown in the accessories, or can be arranged with a spraypack configurator. The nozzles must be selected according to the spray gun operating manual. In the case of spraypack orders, the pumps (1) are already pre-mounted on a trolley (6) or on a frame at the factory.

1. Mount pump (1) on frame, trolley (6) or wall mount.
2. Mount the AirCoat regulator (7) with an AirCoat system.
3. Mount high-pressure filter (3) or filter relief combination and inline filter.
4. Mount suction system (5).
5. Mount return tube (4) or return hose.
6. Connect high-pressure hose and spray gun (2) according to the operating manual for the spray gun.



6.5.1 VENTILATION OF THE SPRAY BOOTH

- Operate the device in a spray booth approved for the working materials.
 - or -
- Operate the device on an appropriate spraying wall with the ventilation (extraction) switched on.
- Observe national and local regulations for the exhaust air speed.

6.5.2 AIR SUPPLY LINES

Ensure that only dry, clean atomizing air is used in the spray gun! Dirt and moisture in the atomizing air worsens the spraying quality and spray pattern.

WARNING

Hose connections!

Risk of injury and damage to the device.

- Do not mix up hose connections of product hose and air hose.



6.5.3 PRODUCT SUPPLY LINES

DANGER

Bursting hose, bursting threaded joints!

Danger to life from injection of product.

- Ensure that the hose material is chemically resistant to the sprayed products.
- Ensure that the spray gun, fittings and product hose between the device and the spray gun are suitable for the pressure generated in the device.
- Ensure that the following information can be seen on the high-pressure hose:
 - manufacturer
 - permissible operating pressure
 - date of manufacture



6.6 GROUNDING

WARNING

Discharge of electrostatically charged components in atmospheres containing solvents!

Explosion hazard from electrostatic sparks.

- Clean the pump only with a damp cloth.



WARNING

Heavy paint mist if grounding is insufficient!

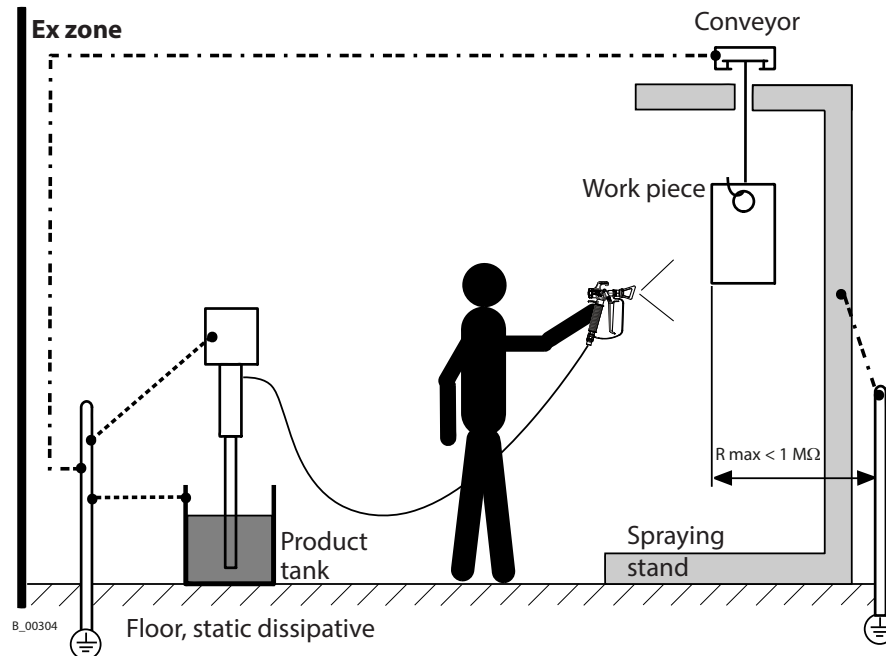
Danger of poisoning.

Insufficient paint application quality.

- Ground all device components.
- Ground the work pieces to be coated.



Grounding scheme (example)



Part / workstation	Cable cross section
Pump	4 mm ² ; AWG 12
Product tank	6 mm ² ; AWG 10
Conveyor	16 mm ² ; AWG 6
Booth	16 mm ² ; AWG 6
Spraying stand	16 mm ² ; AWG 6

Safe operation of the pump is only guaranteed with a grounding connection.
Connect all grounding cables using a short and direct route.

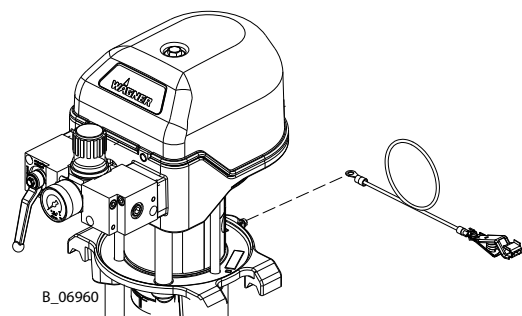
Procedure:

1. Screw on grounding cable with eyelet.
2. Clamp the grounding cable clip to a grounding connection on site.
3. Ground the product tank to an on-site grounding connection.
4. Ground the other parts of the system to an on-site grounding connection (16 mm²; AWG 6).

Ex zone

All devices and equipment must be suitable for use in potentially explosive areas.

- All paints, flushing agents and waste tanks have to be electrically conductive.
- All tanks must be grounded.



6.7 COMMISSIONING

WARNING

Gas mixtures can explode if there is an incompletely filled pump!

Danger to life from flying parts.

- Ensure that the pump and suction system are always completely filled with flushing agent or working medium.
- Do not spray the device empty after cleaning.



NOTICE

Impurities in the spraying system!

Spray gun blockage.

- Flush the spray gun and paint supply with a suitable flushing agent before commissioning.

- Emergency stop, see Chapter [7.2](#).

Preparation

Before every start-up, the following points should be observed as laid down in the operating manual:

- Secure spray gun with safety lever.
- Check the permissible pressures.
- Check all connections for leaks.
- Check hoses for damage in accordance with Chapter [8.2.3.3](#).
- Fill the separating agent in accordance with Chapter [8.2.3.1](#).

Fill the pump with flushing agent

The devices are tested during manufacturing with emulsifying oil, pure oil or solvent.

Possible residues must be flushed out of the circuits with a solvent (flushing agent) before commissioning.

- Fill the empty device with flushing agent in accordance with Chapter [8.2.5](#).

Pressure tightness test

WARNING

Overpressure!

Risk of injury from bursting components.

- The operating pressure must not exceed the value shown on the type plate.



- Gradually increase the pressure in pump with the pressure regulator until maximum pressure is reached. Maintain the pressure for 3 minutes and check all connection points for leaks.
- Depressurization in accordance with Chapter [7.4](#).

Verifying a Safe Operational Condition

A skilled person must check to ensure that the device is in a reliable state after it is installed and commissioned.

This includes:

- Carry out safety checks in accordance with Chapter [8.2.3](#).



Filling with Working Material

- According to Chapter [8.2.5](#).

7 OPERATION

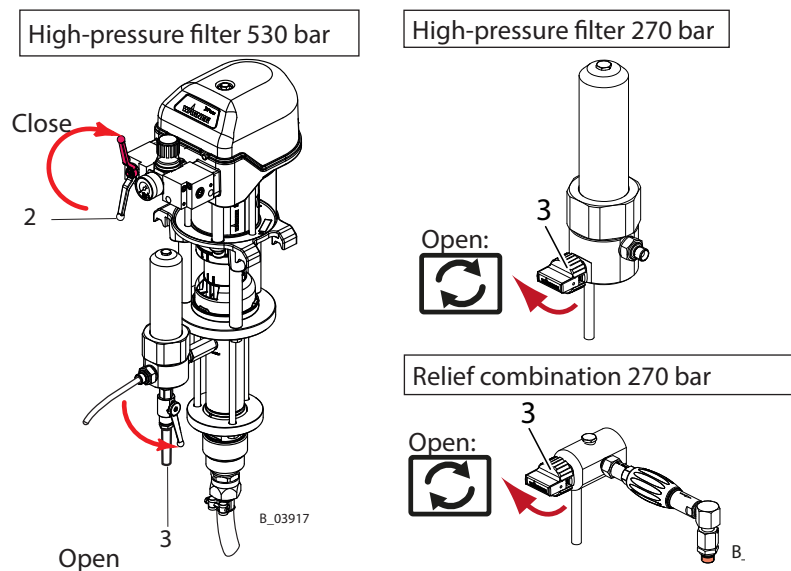
7.1 TRAINING THE OPERATING PERSONNEL

- The operating personnel must be qualified to operate the entire system.
- The operating personnel must be familiar with the potential risks associated with improper behavior as well as the necessary protective devices and measures.
- Before work commences, the operating personnel must receive appropriate system training.

7.2 EMERGENCY STOP

In the case of unforeseen occurrences:

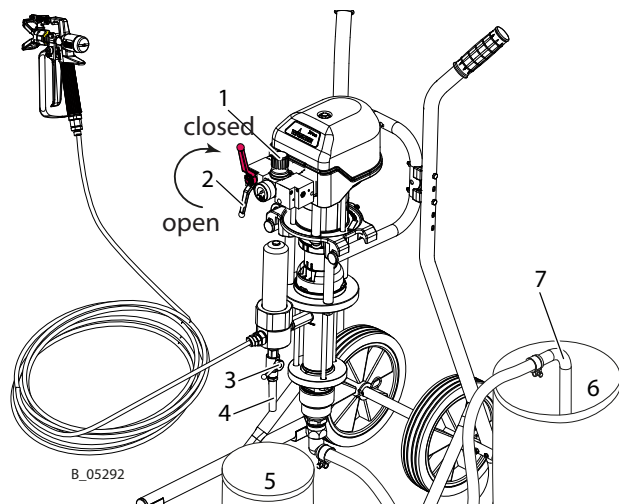
- Close ball valve (2);
- Open return valve (3).



7.3 TASKS

Ensure that:

- commissioning is carried out in accordance with Chapter 6.7.
- 1. Visual check: personal safety equipment, grounding and all devices ready to use.
- 2. Secure spray gun and insert nozzle into the spray gun.
- 3. Close return valve (3).
- 4. Slowly open the ball valve (2).
- 5. Set required working pressure on the pressure regulator (1).
- 6. Optimize spray pattern in accordance with the spray gun's operating manual.
- 7. Start work process.



7.4 PRESSURE RELIEF/WORK INTERRUPTION

The pressure must always be relieved when:

- after the spraying tasks are finished,
- before servicing or repairing the spraying system,
- before carrying out cleaning tasks on the spraying system,
- Before moving the spraying system to another location.
- before something must be checked on the spraying system,
- before the nozzle or the filter is removed from the spray gun.

The components for pressure relief on a CE-compliant spraying system include:

- Air cock with pressure relief hole mounted between compressed air source and pneumatic pump.
- Outlet equipment (return valve) mounted between pump and spray gun.

Process for relieving pressure

1. Close the spray gun.
2. Close ball valve (2).
3. Release the system of pressure by opening the spray gun.
→ Attention: If a blocked nozzle is preventing relief, first carry out the additional steps 4 and 5, then clean the nozzle.
4. Close and secure the spray gun.
5. Open and close the return valve (3) slowly to completely depressurize the system.

If the system will process 2K products:

⚠ NOTICE

Hardened working material in the spraying system when 2K product is processed!

Destruction of pump and injection system.

- Observe the manufacturer's processing rules, particularly in regards to the pot life.
- Flush thoroughly before the end of the pot life.
- The pot life is decreased by warmth.

7.5 BASIC FLUSHING

Regular flushing

- Regular flushing, cleaning and maintenance ensures the pump's high pumping and extraction capacity.
- The cleaning and flushing agents used must be compatible with the working material.
- Do not flush hardener pumps with water. Only flush them using suitable flushing agents (solvents).

WARNING

Incompatibility of flushing / cleaning agent with the working medium!

Risk of explosion and danger of poisoning by toxic gases.

- Examine the compatibility of the flushing and cleaning agents and working media on the basis of the safety data sheets.



Flushing procedures

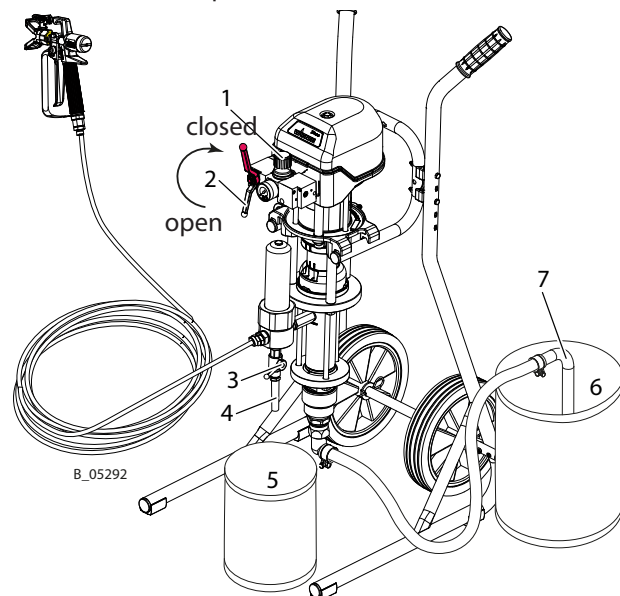
1. Visual check: personal safety equipment, grounding and all devices ready to use.
2. Place an empty, grounded collection tank (5) under the return tube (4).
3. Place the suction hose (7) in the grounded tank with flushing agent (6).
4. Adjust the pressure regulator (1) to approx. 0.05 MPa; 0.5 bar; 7.25 psi.

Flushing via the return valve

5. Open return valve (3).
6. Slowly open the ball valve (2).
7. Adjust the air pressure on the pressure regulator (1) so that the pump runs smoothly.
8. Flush the system until clean flushing agent flows into the tank (5).
9. Close ball valve (2).
10. As soon as there is no pressure remaining in the system, close the return valve (3).

Flushing via spray gun

11. In case of AirCoat systems, carry out the basic flushing without atomizing air.
12. Point the spray gun, without nozzle, into the tank (5) and open it.
13. Slowly open the ball valve (2).
14. Rinse until clean flushing agent flows from the spray gun.
15. Close ball valve (2).
16. As soon as there is no pressure remaining in the system, close the spray gun.
17. Secure the spray gun.
18. Dispose of the contents of the tank (5) according to the local regulations.



External Cleaning

19. Clean the outside of the system.
20. Fully assemble the system.
21. Relieve the pump's pressure according to Chapter 7.4.
22. Dispose of the contents of the tank (5) according to the local regulations.

7.6 FILLING WITH WORKING MATERIAL

After basic flushing, the system can be filled with working product.

Proceed according to Chapter 8.2.5, but use working material instead of flushing agent.

8 CLEANING AND MAINTENANCE

8.1 CLEANING

8.1.1 CLEANING PERSONNEL

Cleaning work should be undertaken regularly and carefully by qualified and trained personnel. They should be informed of specific hazards during their training. The following hazards may arise during cleaning work:

- Health hazard from inhaling solvent vapors.
- Use of unsuitable cleaning tools and aids.

8.1.2 DECOMMISSIONING AND CLEANING

The device should be cleaned for maintenance purposes, etc. Ensure that no remaining product dries on and sticks to the device.

Procedure

1. Carry out work interruption → Chapter [7.4](#).
2. Carry out the basic flushing → Chapter [7.5](#).
3. Empty system in a controlled manner → Chapter [8.2.4](#).
4. Service spray gun in accordance to its operating instructions.
5. Clean and check the suction system and the suction filter.
6. When using a product filter, check filter insert and filter housing and clean or replace them. → Chapter [8.2.6](#)
7. Clean the outside of the system.
8. Fully assemble the system.
9. Check fill level of the separating agent → Chapter [8.2.3.1](#).
10. Fill the system with flushing agent in accordance with Chapter [8.2.5](#).

8.1.3 LONG-TERM STORAGE

When storing the device for longer periods of time, it is necessary to thoroughly clean it and protect it from corrosion. Replace the water or solvent in the product pump with a suitable preservative, fill separating agent cup with separating agent.

Procedure

1. Perform points 1 to 8 in Chapter [8.1.2](#).
2. Fill the system with preservative in accordance with Chapter [8.2.5](#).
3. Empty the system in a controlled manner in accordance with Chapter [8.2.4](#) and seal the openings.

8.2 MAINTENANCE

8.2.1 MAINTENANCE PERSONNEL

Maintenance work should be undertaken regularly and carefully by qualified and trained personnel. They should be informed of specific hazards during their training. The following hazards may arise during maintenance work:

- Health hazard from inhaling solvent vapors.
- Use of unsuitable tools and aids.

An authorized person must ensure that the device is checked for being in a reliable state after maintenance work is completed.

8.2.2 MAINTENANCE INSTRUCTIONS

DANGER

Incorrect maintenance/repair!

Danger to life and equipment damage.

- Only a WAGNER service center or a suitably trained person may carry out repairs and replace parts.
- Use only WAGNER original spare parts and accessories.
- Only repair and replace parts that are listed in the "Spare parts" chapter and that are assigned to the unit.
- Before all work on the device and in the event of work interruptions:
 - Relieve the pressure from the spray gun, high-pressure hoses and all devices.
 - Secure the spray gun against actuation.
 - Switch off the energy and compressed air supply.
 - Disconnect the control unit from the mains.
- Observe the operating and service manual for all work.



Prior to Maintenance

It should be ensured that the device is in the following state before carrying out any work on it:

- Flush and clean the system. → Chapter [8.1.2](#)
- Interrupt the air supply.

After maintenance

- Carry out safety checks in accordance with Chapter [8.2.3](#).
- Put the system into operation and check for leaks as described in Chapter [6.7](#).
- Have the system checked for safe condition by an authorized person.
- Function test in accordance with Chapter [11](#).

8.2.3 SAFETY CHECKS AND MAINTENANCE INTERVALS

Every day

- Check grounding: see Chapter 6.6.
- Check hoses, tubes and couplings: see Chapter 8.2.3.3
- Check the level of separating agent in the separating agent tank and top up, if necessary, in accordance with Chapter 8.2.3.1. Check coupling cover.
- For each decommissioning, the process according to Chapter 8.1.2 must be followed.
- If the pump has to be emptied for maintenance work, proceed according to Chapter 7.5 and Chapter 8.2.4.

Weekly

- Check system for damage.
- Check that the safety fixtures function properly (see Chapter 5.3).

Yearly or as required

- In accordance with DGUV regulation 100-500 Chapter 2.29 and 2.36:
 - The liquid ejection devices should be checked by an expert (e.g., WAGNER service technician) for their safe working conditions as required and at least every 12 months.
 - For shut down devices, the examination can be suspended until the next start-up.

8.2.3.1 FILLING WITH SEPARATING AGENT

⚠ NOTICE

Piston pump dry run!

High wear/damage to the packings.

Paint or solvent can escape if the seals are dry.

- Ensure that the separating agent tank is filled with sufficient separating agent.

Pour the supplied separating agent into the intended opening.

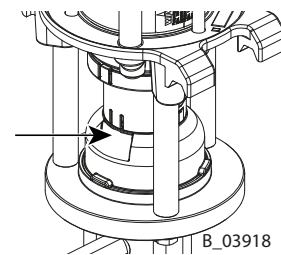
Separating agent: order no. 9992504

Filling level: 1 cm; 0.4 inch under the cup edge.

Inclination angle of the pump

Maximum permissible tilt of the pump for moving, transporting, etc. after filling separating agent is $\pm 30^\circ$.

The pump must be vertical during operation.



B_03918

8.2.3.2 CONDENSATE DRAIN FROM THE AIRCOAT FILTER REGULATOR

- Frequently drain the condensate that may accumulate in the pneumatic filter.
 - Make sure the water level in the filter cup never reaches the max. level marked on the cup.

8.2.3.3 PRODUCT HOSES, PIPES AND COUPLINGS

The service life of the complete hoses between product pressure generator and application device is reduced due to environmental influences even when handled correctly.

- Check hoses, pipes, and couplings every day and replace if necessary.
- Before every commissioning, check all connections for leaks.
- Additionally, the operator must regularly check the complete hoses for wear and tear as well as for damage at intervals that he/she has set. Records of these checks must be kept.
- The complete hose is to be replaced as soon as one of the two following intervals has been exceeded:
 - 6 years from the date of the hose crimping (see fitting embossing).
 - 10 years from the date of the hose imprinting.

Fitting embossing	Meaning
xxx bar	Pressure
yymm	Crimping date (year/month)
XX	Internal code

Hose imprinting	Meaning
Wagner	Name / Manufacturer
yymm	Date of manufacture (year/month)
xxx bar (xx MPa) e.g., 270 bar (27 MPa)	Pressure
XX	Internal code
DNxx (e.g., DN10)	Nominal diameter

8.2.4 EMPTYING PUMP

WARNING

Gas mixtures can explode if there is an incompletely filled pump!

Danger to life from flying parts.

Ignition of potentially explosive surrounding atmosphere.

- Empty the device slowly and in a controlled manner.
- Avoid potentially explosive atmosphere in the surroundings.



→ If the pumping product becomes heated, switch off all heaters and let the product cool off.

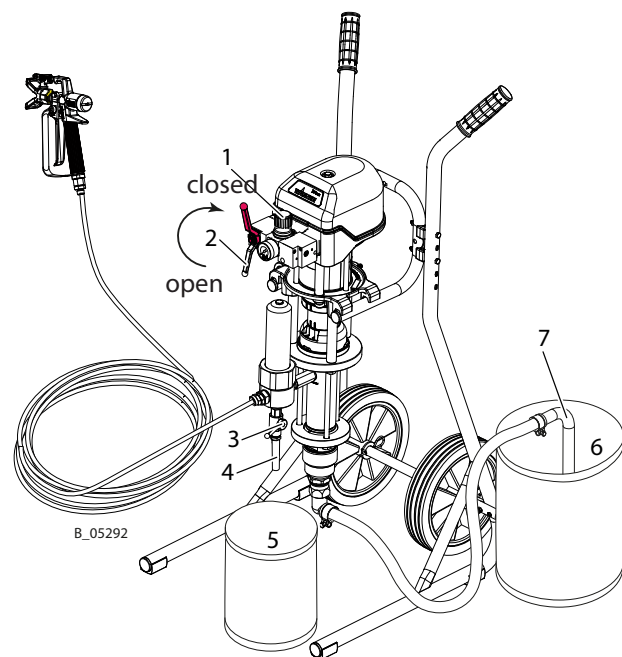
1. Place an empty, grounded collection tank (5) under the return tube (4).
2. Place the suction hose (7) in an empty, grounded tank (6).
3. Close pressure regulator (1) (0 MPa; 0 bar; 0 psi).

Emptying via return line

4. Open return valve (3).
5. Slowly open the ball valve (2).
6. Slowly turn air pressure up on the pressure regulator (1) and only until the pump is running normally (approx. 0.05 MPa; 0.5 bar; 7.25 psi).
7. Be ready for the switch from working material to air. Turn down pressure regulator (1) far enough that the pump is still running normally (approx. 0–0.05 MPa; 0–0.5 bar; 0–7.25 psi).
8. As soon as working material is no longer flowing from the return tube (4), close the ball valve (2).
9. Close return valve (3).

Emptying up to the spray gun

10. Point the spray gun, without nozzle, into the tank (5) and open it.
11. Slowly open the ball valve (2). Be ready for the switch from working material to air.
12. As soon as working material is no longer flowing from the return tube, close the ball valve (2).
13. Close and secure the spray gun.
14. Depressurization in accordance with Chapter [7.4](#).
15. Dispose of the contents of the tank (5) according to the local regulations.



8.2.5 FILLING THE EMPTY PUMP

WARNING

Gas mixtures can explode if there is an incompletely filled pump!

Danger to life from flying parts.

Ignition of potentially explosive surrounding atmosphere.

- Fill the device slowly and in a controlled manner.
- Avoid potentially explosive atmosphere in the surroundings.



Before each filling, the nozzle must be removed from the spray gun. Here, the specifications in the spray gun operating manual must be followed.

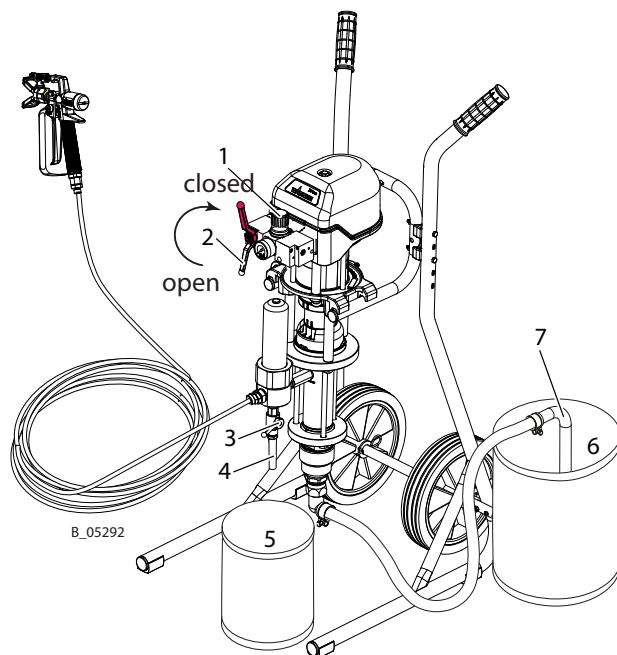
In case of AirCoat systems, carry out the filling of the system without atomizing air (8).

1. Visual check: personal safety equipment, grounding and all devices ready to use.
2. Place an empty, grounded collection tank (5) under the return tube (4).
3. Place the suction hose (7) in a grounded tank with working material (6).

Note:

If the pump is equipped with a rigid suction system, it should only be dipped in into the working product up to the middle of the inlet housing at the maximum!

4. Close pressure regulator (1) (0 MPa; 0 bar; 0 psi).
5. Open return valve (3).
6. Slowly open the ball valve (2).
7. Slowly turn the air pressure up on the pressure regulator (1) and only until the pump is running normally (approx. 0–0.05 MPa; 0–0.5 bar; 0–7.25 psi).
Be ready to switch from air to working material and prevent back spray.
8. Close ball valve (2) as soon as pure working product starts coming from the return tube (4).
9. Close return valve (3).
10. Point the spray gun, without nozzle, into the tank (5) and open it.
11. Slowly open the ball valve (2).
Be ready to switch from air to working material and prevent back spray.



12. As soon as pure working material without air bubbles is flowing, close the ball valve (2).
13. Close and secure the spray gun.
14. Depressurization in accordance with Chapter 7.4.
15. Dispose of the contents of the tank (5) according to the local regulations.

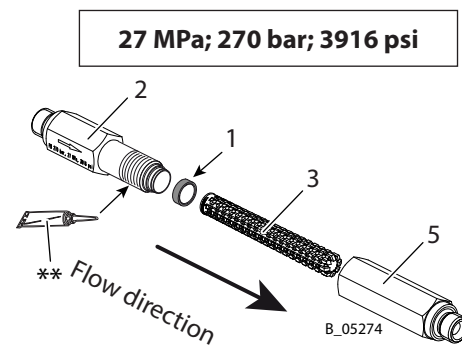
8.2.6 CLEANING AND REPLACING THE FILTER

8.2.6.1 STRAIGHT INLINE FILTER

1. Flush the pump and inline filter in accordance with Chapter 7.5. Flush using the spray gun so that the flushing agent flows through the inline filter. Maximize the flow (remove the nozzle, open the dosing valve if necessary).
2. Empty the pump in a controlled manner in accordance with Chapter 8.2.4.
3. Place the grounded collection tank under the inline filter.
4. If no swivel joint is mounted, remove the hose.
5. Unscrew the inlet housing (2) and outlet housing (5) with two size 19 wrenches.
6. Remove the filter insert (3).
7. If the inline filter has any leaks, replace the seal* (1).
8. Insert the new filter insert* (3). Note the installation position: closed end in direction of flow.
9. If necessary, coat the thread with anti-seize paste**.
10. Screw together the inlet housing (2) and outlet housing (5) with two size 19 wrenches.
11. If necessary, screw the hose back on.
12. Fill the pump in accordance with Chapter 8.2.5.

* Order no., see Chapter 13.

** Order no., see Chapter 10.5.

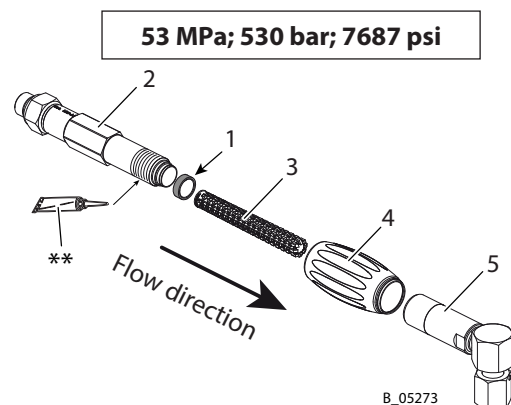


8.2.6.2 ANGLED INLINE FILTER

1. Flush the pump and inline filter in accordance with Chapter 7.5. Flush using the spray gun so that the flushing agent flows through the inline filter. Maximize the flow (remove the nozzle, open the dosing valve if necessary).
2. Empty the pump in a controlled manner in accordance with Chapter 8.2.4.
3. Place the grounded collection tank under the inline filter.
4. Unscrew the filter by turning the handle (4).
5. Remove the filter insert (3).
6. If the inline filter has any leaks, replace the seal* (1).
7. Insert the new filter insert* (3). Note the installation position: closed end in direction of flow.
8. If necessary, coat the thread with anti-seize paste**.
9. Assemble the turning handle (4), inlet housing (2) and outlet housing (5) and tighten by turning the handle.
10. Fill the pump in accordance with Chapter 8.2.5.

* Order no., see Chapter 13.

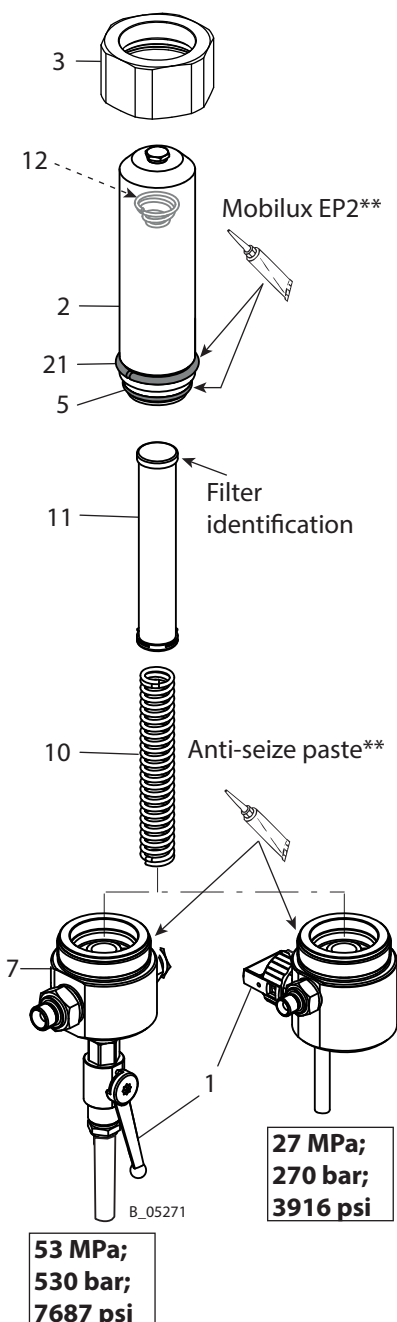
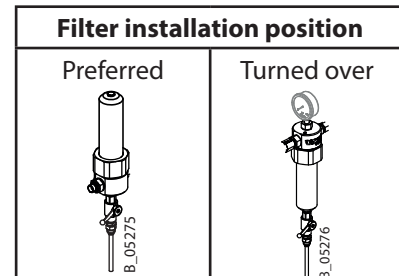
** Order no., see Chapter 10.5.



8.2.6.3 HIGH-PRESSURE FILTER

- Flush the pump and HP filter in accordance with Chapter 7.5, and while doing so:
 - At the preferred filter installation position: Flush via the return valve (1). This produces a large flow. As a result, the flushing agent also flows through the upper part of the filter cartridge (11). Pressure regulator approx. 0.15 MPa; 1.5 bar; 22 psi.
 - With a reversed filter installation position: Flush using the spray gun. This is required in the case of a reversed installation position so that the flushing agent flows through the filter cartridge (11). Maximize the flow (remove the nozzle, open the dosing valve if necessary).
- Empty the pump in a controlled manner in accordance with Chapter 8.2.4.
- Place the grounded collection tank under the high-pressure filter.
- Open ball valve (1).
- Loosen union nut (3) with a size 70 wrench.
- Unscrew the union nut (3) and lift slightly so that it does not get dirty in the next step.
- Remove the filter housing (2) with the union nut (3). The cone spring (12) remains in the filter housing (2). If the O-ring (5) is not damaged, it remains on the filter housing (2).
- Remove the filter cartridge (11) and filter socket (10) from the filter housing (2).
- Clean all parts:
 - Place the filter cartridge (11) and filter support (10) in solvent. Clean using brush.
 - Fill the filter housing (2) approx. 1/3 full with solvent. Close, wearing a glove, and shake well.
 - Clean the distribution housing (7) using a brush.
- If necessary, replace the O-ring (5) and/or filter cartridge (11). Order No., see Chapter 14.11.
- Assemble all parts in reverse order. While doing so:
 - Coat the thread of the distribution housing (7) with anti-seize paste**.
 - Coat the O-ring (5) and pressure ring (21) with Mobilux® EP2**.
 - Observe the installation position of the filter cartridge (11): Push the closed end with the filter identification ahead into the filter housing (2).
 - Make sure that the cone spring (12) is in the filter housing (note the installation position). Press on the cone spring after inserting the filter cartridge (11) and filter support (10); the spring action must be noticeable.
 - Tighten the union nut (3) by hand.
- Close ball valve (1).
- Fill the pump in accordance with Chapter 8.2.5.

** Order no., see Chapter 10.5.



9 TROUBLESHOOTING AND RECTIFICATION

Problem	Cause	Remedy
The pump does not work	Air motor does not work or stops.	Open and close ball valve on the pressure regulator unit or briefly disconnect compressed air supply.
	No pressure indication on the pressure gauge (air pressure regulator defective).	Disconnect compressed air supply briefly or repair or change pressure regulator.
	Spray nozzle is clogged.	Clean the nozzle according to the instructions.
	Insufficient compressed air supply.	Check compressed air supply.
	Filter insert in spray gun or high-pressure filter is clogged.	Clean the parts and use a suitable working product.
	Fluid section or high-pressure hose are blocked (e.g., 2K product hardened).	Dismount and clean fluid section, replace high-pressure hose.
	Grease in spool and sleeve assembly.	Degrease spool and sleeve assembly.
	Occasionally, the pump stops at the reversal point.	Check detent element (see service manual).
Poor spray pattern	See operating manual of spray gun.	
Irregular operation of product pump: spray jet collapses (pulsation)	Viscosity is too high.	Dilute the working material.
	Spraying pressure is too low.	Increase incoming air pressure. Use a smaller nozzle.
	Valves are clogged.	Clean pump. If necessary, leave it to soak in cleaning agent.
	Foreign body in suction valve.	Dismantle suction valve housing, clean and check valve seat.
	Diameter of compressed air line too small.	Assemble a larger supply line. → Technical data, Chapter 5.5.
	Valves, packings, or pistons are worn out.	Replace the parts.
	Control air filter or work air filter is clogged.	Check and clean it if necessary.
Pump is running uniformly, but does not take in any working product	The suction system's union nut is loose; the pump is taking in air.	Tighten union nut.
	Suction filter is clogged.	Clean filter.
	Ball, in suction or piston valve, is sticking.	Clean ball and valve seats.
The pump is working with a closed spray gun.	Packings, valves, or pistons are worn out.	Replace the parts.
The air motor is iced up	There is a lot of condensation water in the air supply.	Install a water separator.

If none of the causes of malfunction mentioned are present, the defect can be remedied by a WAGNER Service Center.

10 REPAIR WORK

10.1 REPAIR PERSONNEL

Repair work must be carried out carefully and by qualified and trained personnel. They should be informed of specific hazards during their training.

The following hazards may arise during repair work:

- Health hazard from inhaling solvent vapors.
- Use of unsuitable tools and aids.

A skilled person must check to ensure that the device is in a reliable state after it is repaired. Carry out function test in accordance with Chapter [11](#).

10.2 REPAIR NOTES

DANGER

Incorrect maintenance/repair!

Danger to life and equipment damage.

- Only a WAGNER service center or a suitably trained person may carry out repairs and replace parts.
- Use only WAGNER original spare parts and accessories.
- Only repair and replace parts that are listed in the "Spare parts" chapter and that are assigned to the unit.
- Before all work on the device and in the event of work interruptions:
 - Relieve the pressure from the spray gun, high-pressure hoses and all devices.
 - Secure the spray gun against actuation.
 - Switch off the energy and compressed air supply.
 - Disconnect the control unit from the mains.
- Observe the operating and service manual for all work.



Before Repair Work

- Flush and clean the system. → Chapter [8.1.2](#)
- Interrupt the air supply.

After Repair Work

- Carry out safety checks in accordance with Chapter [8.2.3](#).
- Put the system into operation and check for leaks as described in Chapter [6.7](#).
- Have the system checked for safe condition by an authorized person.
- Function test in accordance with Chapter [11](#).

10.3 TOOLS

For disassembling and assembling the devices, the following tools are required:
(if possible, always bring entire tool sets with you):

- Torque wrench 2-3 Nm; 2 lbft.
- Torque wrench 8-10 Nm; 6-7 lbft.
- Torque wrench 10-15 Nm; 7-11 lbft.
- Torque wrench 20-25 Nm; 15-19 lbft.
- Torque wrench 40 Nm; 30 lbft.
- Torque wrench 70 Nm; 52 lbft.
- Torque wrench 140 Nm; 103 lbft.
- Allen wrench, wrench size (SW) 4, 5, 6, 8, 10, 14, 17.
- Allen wrench, wrench size (SW) 6, 12, 13, 17, 19, 22, 32.
- Torx® wrench size (SW) 4.5, 5.5.

10.4 CLEANING THE PARTS AFTER DISASSEMBLY

WARNING

Incompatibility of cleaning agent and working medium!

Risk of explosion and danger of poisoning by toxic gases.

- Examine the compatibility of the cleaning agents and working media on the basis of the safety data sheets.



Please note:

- Thoroughly clean all reusable parts with a suitable cleaning agent.
- All dismantled parts have to be clean and dry after cleaning. Care should be taken that these parts remain free of solvents, grease or sweat from the hands (salt water). Perform cleaning and mounting tasks wearing gloves.

10.5 ASSEMBLY OF THE DEVICE

In Chapter [14](#) the order numbers for device spare parts can be found, as well as for wearing parts such as seals.

- Defective parts, O-rings and seal sets must always be replaced.
- Use greases and glues in accordance with Chapter [14](#).
- Observe torque specifications in Chapter [14](#).

Assembly Aids


Order No.	Quantity	Designation	Smaller tanks
9992590	1 pc \triangleq 50 ml	Loctite® 222	
9992511	1 pc \triangleq 50 ml	Loctite® 243	
9992831	1 pc \triangleq 50 ml	Loctite® 542	
9998808	1 pc \triangleq 18 Kg !	Mobilux® EP 2 grease	400 g tube \triangleq Order No. 2355418
9992616	1 pc \triangleq 1 kg can	Molykote® DX grease	50 g tube \triangleq Order No. 2355419
9992609	1 pc \triangleq 100 g	Anti-seize paste	
9992816	1 pc \triangleq 70 g	Miranit contact adhesive	

Brand notice

The brands specified in this document are property of the respective owners. Loctite®, for example, is a registered brand of Henkel.

11 FUNCTION TEST AFTER REPAIR WORK

After all repairs, the device must be checked for safe condition before recommissioning. The necessary scope of inspection and testing depends on the repair carried out and must be documented by the repair personnel.

Activity	Means
1.1 Filling with separating agent → See Chapter 8.2.3.1 .	
1.2 EX-relevant inspections <ul style="list-style-type: none"> – Check grounding connection between ground connection of the pump and the frame/trolley and between the individual components of the frame/trolley: < 1MΩ – Check conductivity between piston and grounding connection: < 1MΩ <p>These inspections are  - relevant!</p>	Ωm (measurement voltage 500...1000 VDC)
1.3 Testing for leaks <ul style="list-style-type: none"> – Connect the air motor to the air supply 7 bar. To perform a leak test on the device, the product pressure with the flushing agent is slowly increased in increments until the maximum pressure indicated on the type plate is reached. Close pump outlet. In each position (with upstroke and downstroke), let sit for 0.5-1 minutes and listen for audible blowing off. When the air supply is turned off, a drop in pressure must be watched for. <p>Check seal of following modules:</p> <ul style="list-style-type: none"> – fluid section – mounted fittings and regulators 	Air motor: Test medium compressed air Leak spray Fluid section: Test medium: suitable Flushing agent
1.4 General inspections <ul style="list-style-type: none"> – Check tightening torque of various screws. See Chapter 14. – Check all fittings. – Empty device in a controlled manner (Chapter 8.2.4) and depressurize (Chapter 7.4). – Check function of frame or transport trolley. 	Torque wrench Visual check

12 DISPOSAL

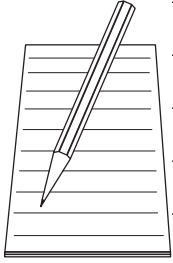
When the equipment must be scrapped, please differentiate the disposal of the waste materials.

The following materials have been used:

- Stainless steel
- Aluminum
- Elastomers
- Plastics
- Carbide

Consumable products

Consumable products (lacquers, adhesives, flushing and cleaning agents and solvents) must be disposed of in accordance with all legal requirements and provisions.

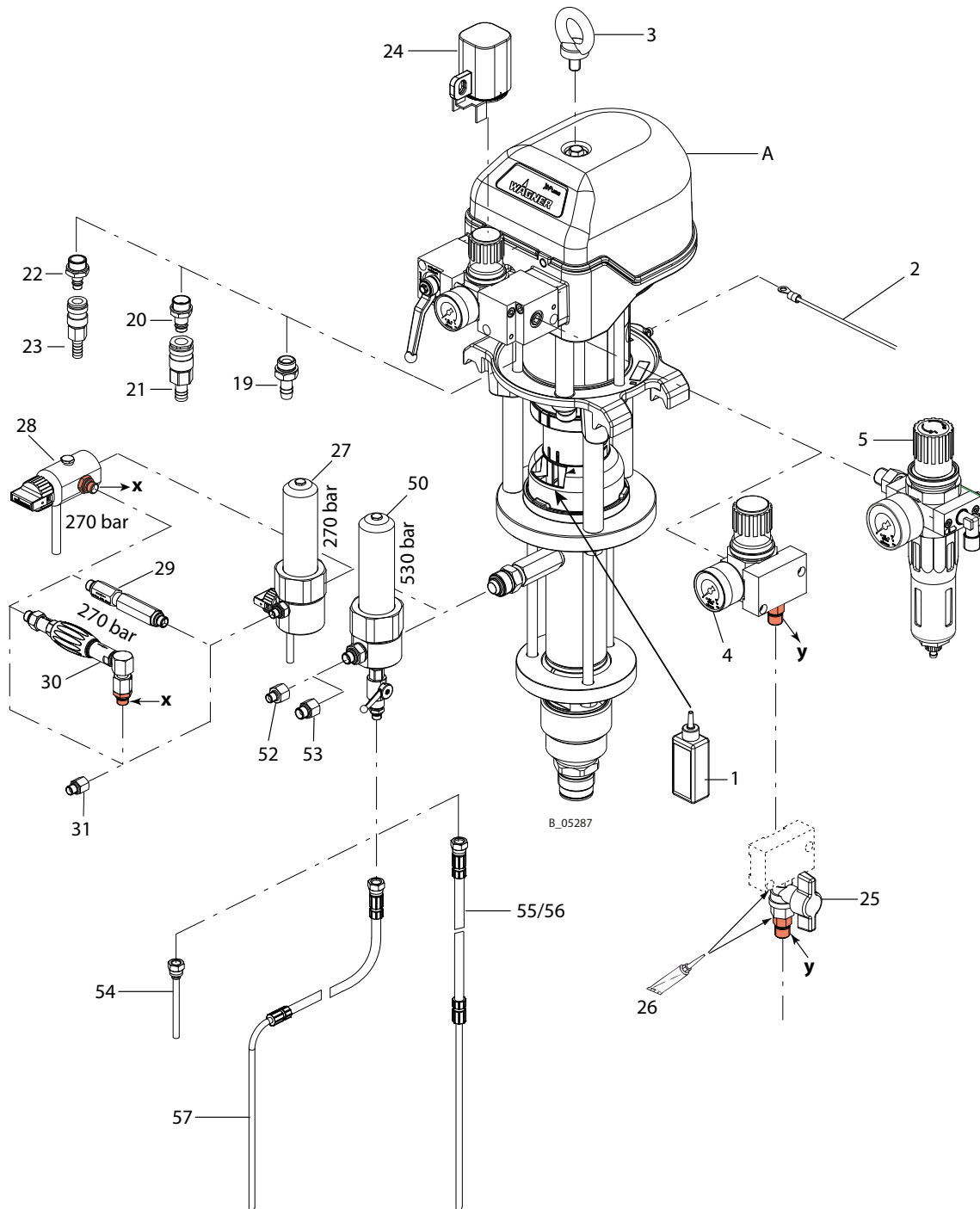


A series of horizontal lines for writing, starting from the top of the page and extending down to the bottom. The lines are evenly spaced and cover most of the page width.

13 ACCESSORIES

13.1 WILDCAT AND PUMA PUMPS

13.1.1 PRODUCT OUTLET AND MISCELLANEOUS



Mount fittings **x** and **y** at the correct position, depending on the system's characteristics.

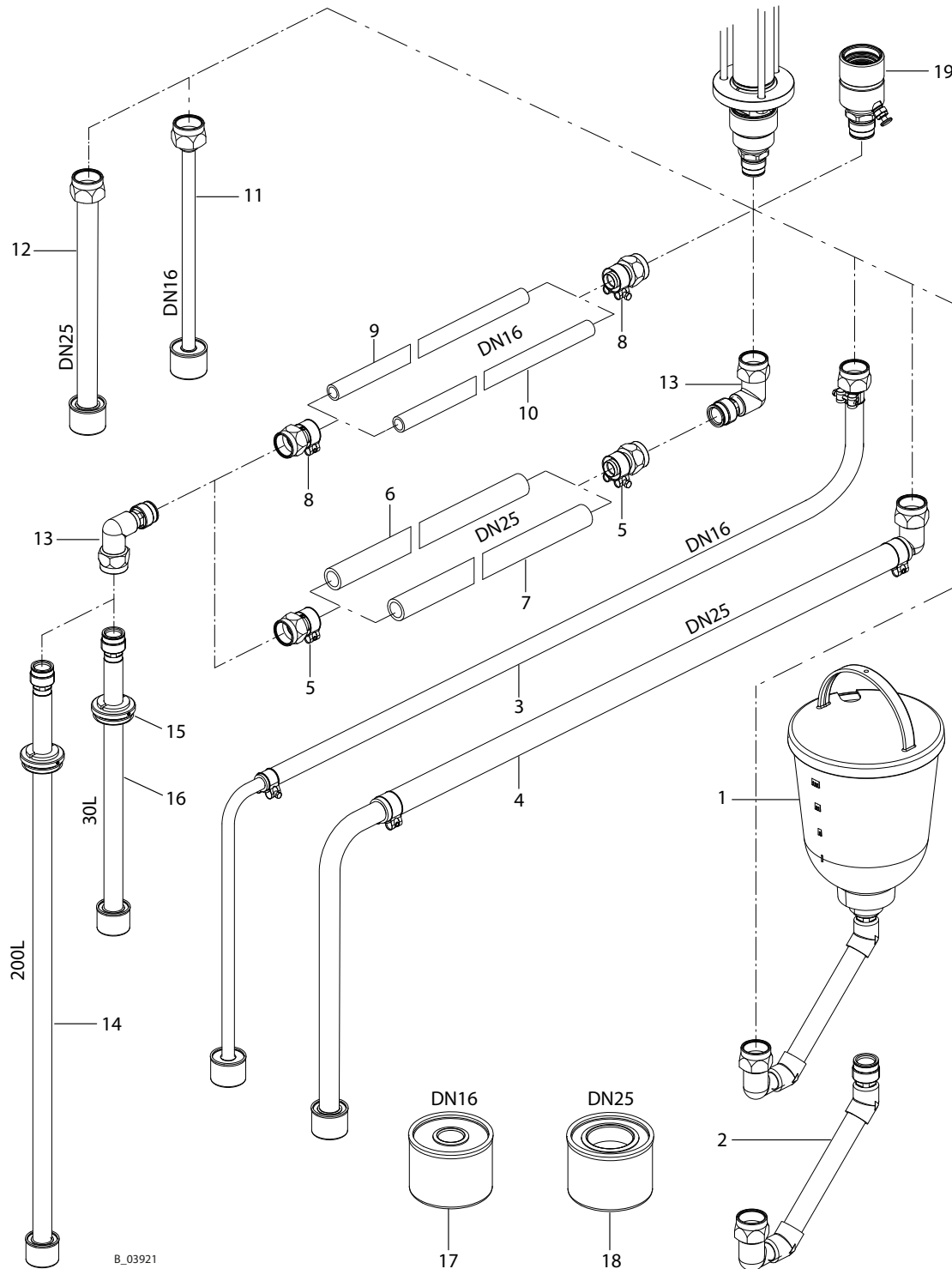
Pos	K	WILDCAT	WILDCAT	PUMA	PUMA	PUMA	PUMA	Designation
		10-70	18-40	28-40	15-70	21-110	15-150	
		Order No.		Order No.		Order No.		
A		2329460	2329456	2329467	2329471	2329517	2329475	Piston pump PE/TG
A		2329462	2329458	2329469	2329473	2330614	2329477	Piston pump PE/T
A		2366704	/	/	/	/	/	Piston pump PE/TC 1.4404
1				9992504				Separating agent 250 ml; 250 cc
2				236219				Grounding cable 3 m; 9.8 ft
3				9907133				Lifting eye bolt
4				2328611				AirCoat regulator set (Chapter 14.12)
5				2382997				AirCoat filter regulator set (Chapter 14.12)
19				9985619				Plug-in fitting with hose fitting DN13
20				9998813				Plug-in fitting with quick-release coupling DN13
21				9998812				Quick release coupling with hose fitting DN 13
22				9998810				Plug-in fitting with quick-release coupling DN10
23				9998811				Quick release coupling with hose fitting DN 10
24				2334956				Regulator lock
25				2335815				Ball valve DN7-PN10-G1/4-R1/4-CB
26				9992831				Loctite® 542, 50 ml; 50cc
Product outlet up to 270 bar								
27				2329024				HP filter DN10-PN270-SSt, complete Details and filter cartridges: Chapter 14.10
28				2329023				Relief combination, complete For details, see Chapter 14.7
29				2324558				Inline filter DN6-PN270-G1/4"-SSt Details and filter insert: Chapter 14.7
30				2329026				Inline filter HL DN6-PN270-G1/4"-SSt Details and filter insert: Chapter 14.8
31				2332619				Adapter G1/4"-NPS1/4"
Product outlet up to 530 bar								
50				2329025				HP filter DN12-PN530-SSt, complete Details and filter cartridges: Chapter 14.9
52				2332621				Adapter G3/8"-NPS1/4"
53				2332620				Adapter G3/8"-NPS 3/8"
54	◆			2331752				Return tube, DN6-G1/4"-100mm-PA
55	◆			2331017				Circulation hose DN6-G1/4"-1.8m-PA
56	◆			2331014				Circulation hose DN6-G1/4"-2.8m-PA
57	◆			2329046				Return hose DN6-PN310-G1/4"-PA

◆ = Wearing parts

/ = Item does not exist.



13.1.2 PRODUCT INLET



B_03921

For trouble-free suction, use hoses which are as short as possible. The maximum hose length is dependent upon the viscosity of the product, the suction height, and the nominal diameter of the hose.

Pos	K	WILDCAT	WILDCAT	PUMA	PUMA	PUMA	PUMA	Designation
		10-70	18-40	28-40	15-70	21-110	15-150	
		Order No.		Order No.		Order No.		
A		2329460	2329456	2329467	2329471	2329517	2329475	Piston pump PE/TG
A		2329462	2329458	2329469	2329473	2330614	2329477	Piston pump PE/T
A		2366704	/	/	/	/	/	Piston pump PE/T TC 1.4404
1		2332169				--	--	Hopper set, 5 l for piston pump
2		2323225				--	--	Suction elbow for hopper SSt
3	◆	2324110				--	--	Suction hose DN16-SSt, complete
4	◆	2324116						Suction hose DN25-SSt, complete
5		2325408						LP hose-fitting DN25-M36-SSt
6*	◆	2323474						LP hose DN25-PN10-EPDM (per meter)
7*	◆	2323595						LP hose DN25-PN10-PE (per meter)
8		2325390				--	--	LP hose-fitting DN16-M36-SSt
9*	◆	2323329				--	--	LP hose DN16-PN10-EPDM (per meter)
10*	◆	2323597				--	--	LP hose DN16-PN10-PE (per meter)
11		2324158				--	--	Suction tube DN16-SSt, complete
12		2323239						Suction tube DN25-SSt, complete
13		2324247						Suction elbow DN25-SSt
14		2324238						Suction tube DN25-200L-SSt, complete
15		2315163						Bung adapter DN25-G2"
16		2324241						Suction tube DN25-30L-SSt, complete
17	◆	2323396				--	--	Suction filter DN16-18mesh-SSt
18	◆	2323325						Suction filter DN25-18mesh-SSt
19		2329688	2329689	2329688	--	--	Inlet valve with valve depressor For details, see Chapter 14.6	

◆ = Wearing parts

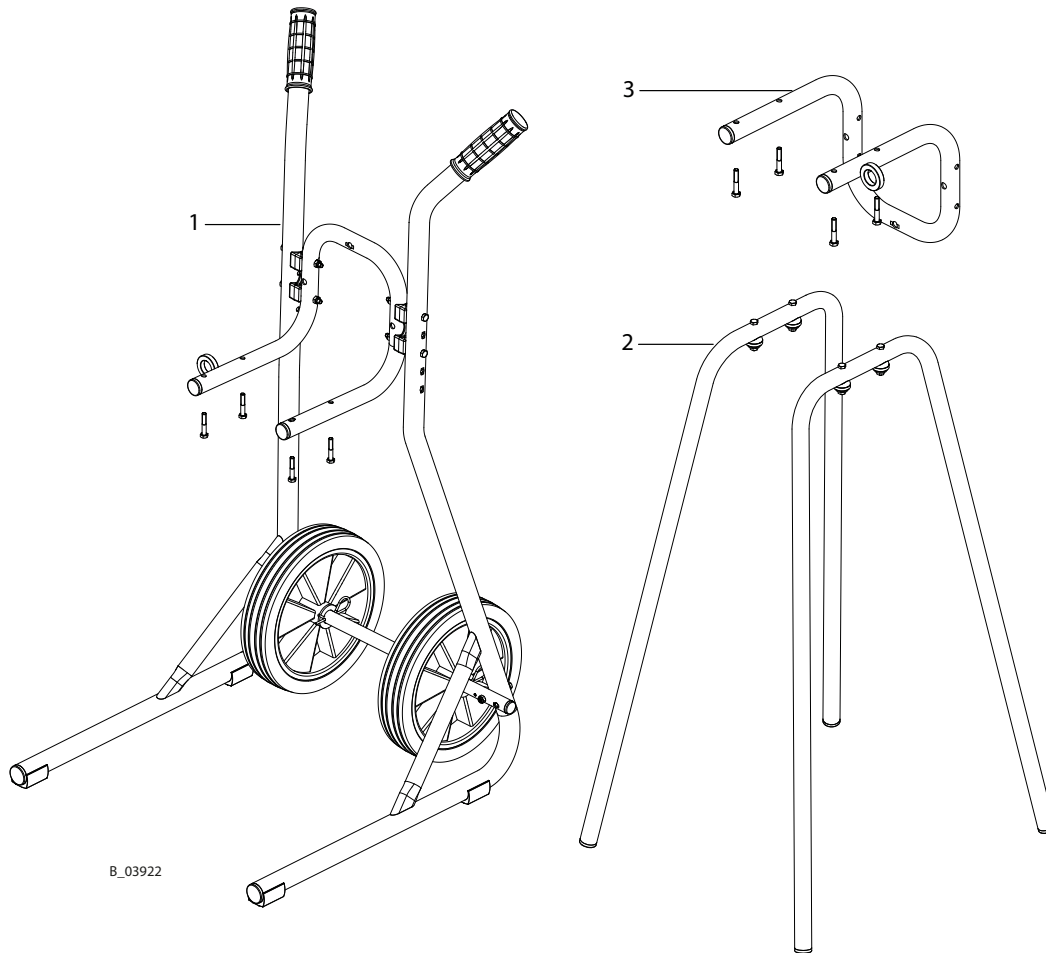
-- = Item not available as spare part.

/ = Item does not exist.

* Pos 6, 7, 9, 10: max. 10 bar:

If a feed pump (>10 bar) is used, do not use downstream of the feed pump.

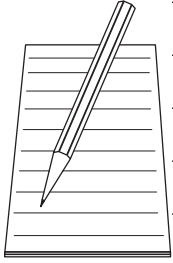
13.1.3 TROLLEY, FRAME AND WALL MOUNT ACCESSORIES



B_03922

Pos	K	WILDCAT	WILDCAT	PUMA	PUMA	PUMA	PUMA	Designation
		10-70	18-40	28-40	15-70	21-110	15-150	
		Order No.		Order No.		Order No.		
A		2329460	2329456	2329467	2329471	2329517	2329475	Piston pump PE/TG
A		2329462	2329458	2329469	2329473	2330614	2329477	Piston pump PE/T
A		2366704	/	/	/	/	/	Piston pump PE/TTC 1.4404
1		2325901						Trolley 4", complete For details, see Chapter 14.13
2		2332374						Frame 4", complete
3	◆	2332143						Wall mount 4", complete

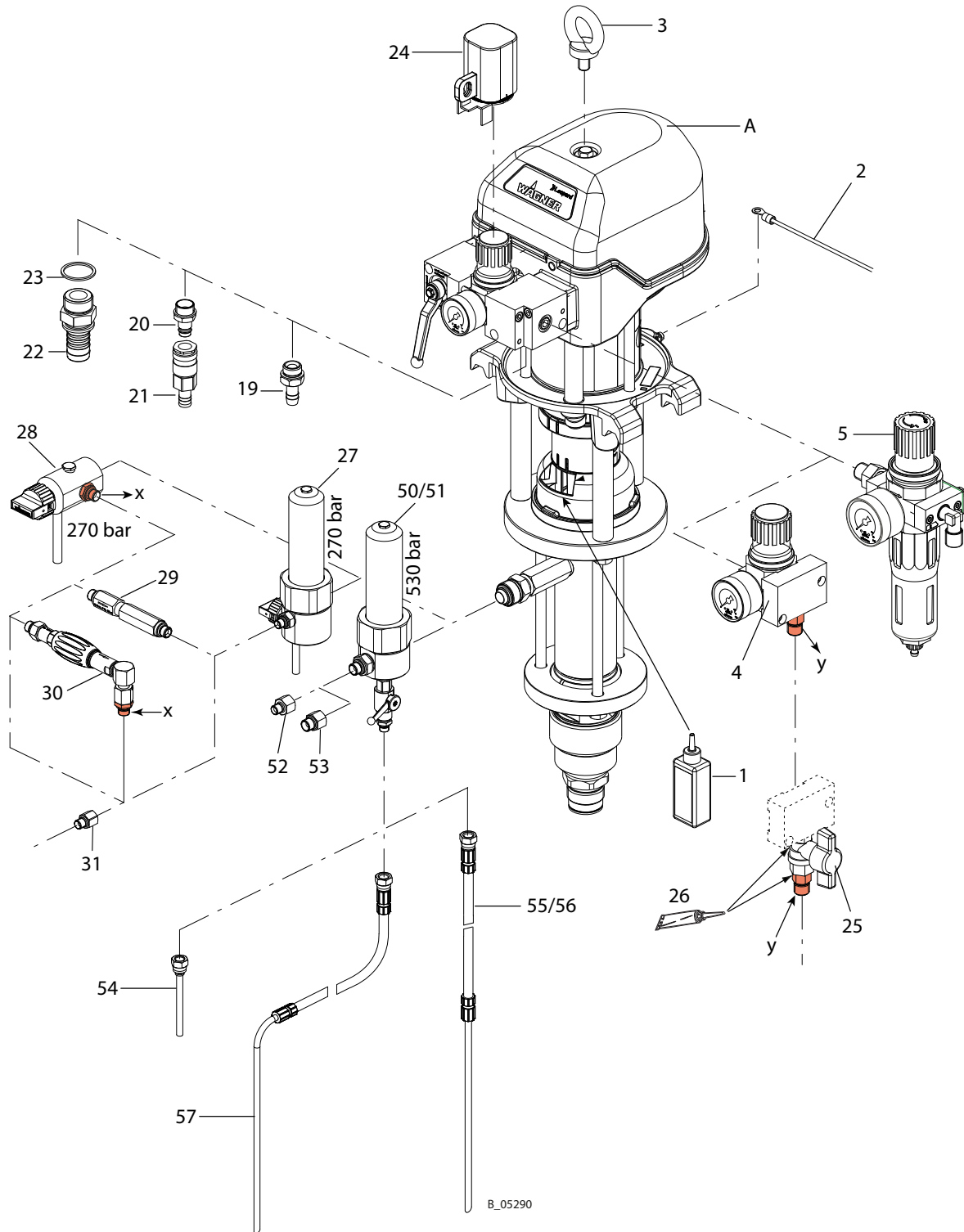
◆ = Wearing parts
/ = Item does not exist.



A series of horizontal lines for writing, starting from the top of the page and extending down to the bottom. The lines are evenly spaced and cover most of the page width.

13.2 LEOPARD AND JAGUAR PUMPS

13.2.1 PRODUCT OUTLET AND MISCELLANEOUS



Mount fittings **x** and **y** at the correct position, depending on the system's characteristics.

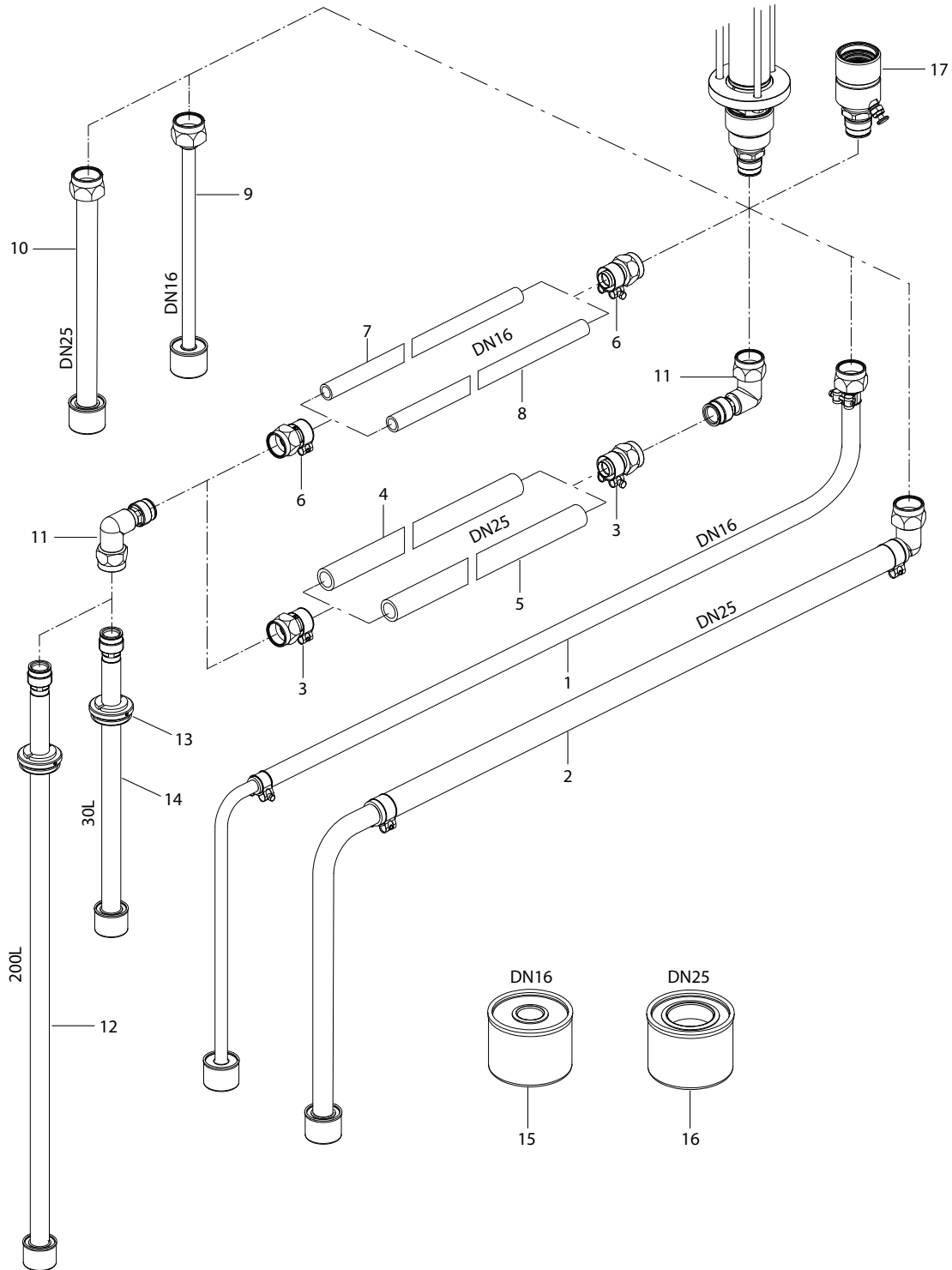
Pos	K	LEOPARD 35-70	LEOPARD 35-150	LEOPARD 48-110	JAGUAR 75-150	Designation
		Order No.	Order No.	Order No.	Order No.	
A		2329479	2329484	2329490	2329501	Piston pump PE/TG
A		2329481	2329486	2329493	2329505	Piston pump PE/T
A		--	--	2329495	2329503	Piston pump PE/L
A		2366702	/	/	/	Piston pump PE/T TC 1.4404
1		9992504				Separating agent 250 ml; 250 cc
2		236219				Grounding cable 3 m; 9.8 ft
3		9907133			--	Lifting eye bolt
4		2328611				AirCoat regulator set (see Chapter 14.12)
5		2382997				AirCoat filter regulator set (see Chapter 14.12)
19		9985619			--	Plug-in fitting with hose fitting DN13
20		9998813			--	Plug-in fitting with quick-release coupling DN13
21		9998812			--	Quick release coupling with hose fitting DN 13
22		--			9985671	Outside thread grommet 1"-DN25
23		--			9974135	Sealing ring 1"
24		2334957			2334958	Regulator lock
25		2335815				Ball valve DN7-PN10-G1/4-R1/4-CB
26		9992831				Loctite® 542, 50 ml; 50cc
Product outlet up to 27 MPa; 270 bar; 3916 psi						
27		2329024			--	HP filter DN10-PN270-SSt, complete Details and filter cartridges: Chapter 14.10
28		2329023			--	Relief combination, complete For details, see Chapter 14.7
29		2324558			--	Inline filter DN6-PN270-G1/4"-SSt Details and filter insert: Chapter 14.8
30		2329026			--	Inline filter HL DN6-PN270-G1/4"-SSt Details and filter insert: Chapter 14.9
31		2332619			--	Adapter G1/4"-NPS1/4"
Product outlet up to 53 MPa; 530 bar; 7687 psi						
50		2329025				HP filter DN12 PN530-SSt with stainless steel ball valve Details and filter cartridges: Chapter 14.11
51		--	2335334			HP filter DN12 PN530-SSt with carbon steel ball valve. Details and filter cartridges: Chapter 14.11
52		2332621				Adapter G3/8"-NPS1/4"
53		2332620				Adapter G3/8"-NPS 3/8"
54	◆	2331752				Return tube DN6-G1/4"-100mm-PE
55	◆	2331017				Circulation hose DN6-G1/4"-1.8m-PA
56	◆	2331014				Circulation hose DN6-G1/4"-2.8m-PA
57	◆	2329046				Return hose DN6-PN310-G1/4"-PA

◆ = Wearing parts

-- = Item not available as spare part.

/ = Item does not exist.

13.2.2 PRODUCT INLET



For trouble-free suction, use hoses which are as short as possible. The maximum hose length is dependent upon the viscosity of the product, the suction height, and the nominal diameter of the hose.

Pos	K	LEOPARD	LEOPARD	LEOPARD	JAGUAR	Designation
		35-70	35-150	48-110	75-150	
		Order No.	Order No.	Order No.	Order No.	
A		2329479	2329484	2329490	2329501	Piston pump PE/TG
A		2329481	2329486	2329493	2329505	Piston pump PE/T
A		--	--	2329495	2329503	Piston pump PE/L
A		2366702	/	/	/	Piston pump PE/T TC 1.4404
1	◆	2324110	--	--	--	Suction hose DN16-SSt, complete
2	◆		2324116			Suction hose DN25-SSt, complete
3			2325408			LP hose-fitting DN25-M36-SSt
4*	◆		2323474			LP hose DN25-PN10-EPDM (per meter)
5*	◆		2323595			LP hose DN25-PN10-PE (per meter)
6		2325390	--	--	--	LP hose-fitting DN16-M36-SSt
7*	◆	2323329	--	--	--	LP hose DN16-PN10-EPDM (per meter)
8*	◆	2323597	--	--	--	LP hose DN16-PN10-PE (per meter)
9		2324158	--	--	--	Suction tube DN16-SSt, complete
10			2323239			Suction tube DN25-SSt, complete
11			2324247			Suction elbow DN25-SSt
12			2324238			Suction tube DN25-200L-SSt, complete
13			2315163			Bung adapter DN25-G2"
14			2324241			Suction tube DN25-30L-SSt, complete
15	◆	2323396	--	--	--	Suction filter DN16-18mesh-SSt
16	◆		2323325			Suction filter DN25-18mesh-SSt
17		2329688	--	--	--	Inlet valve with valve depressor For details, see Chapter 14.6

◆ = Wearing parts

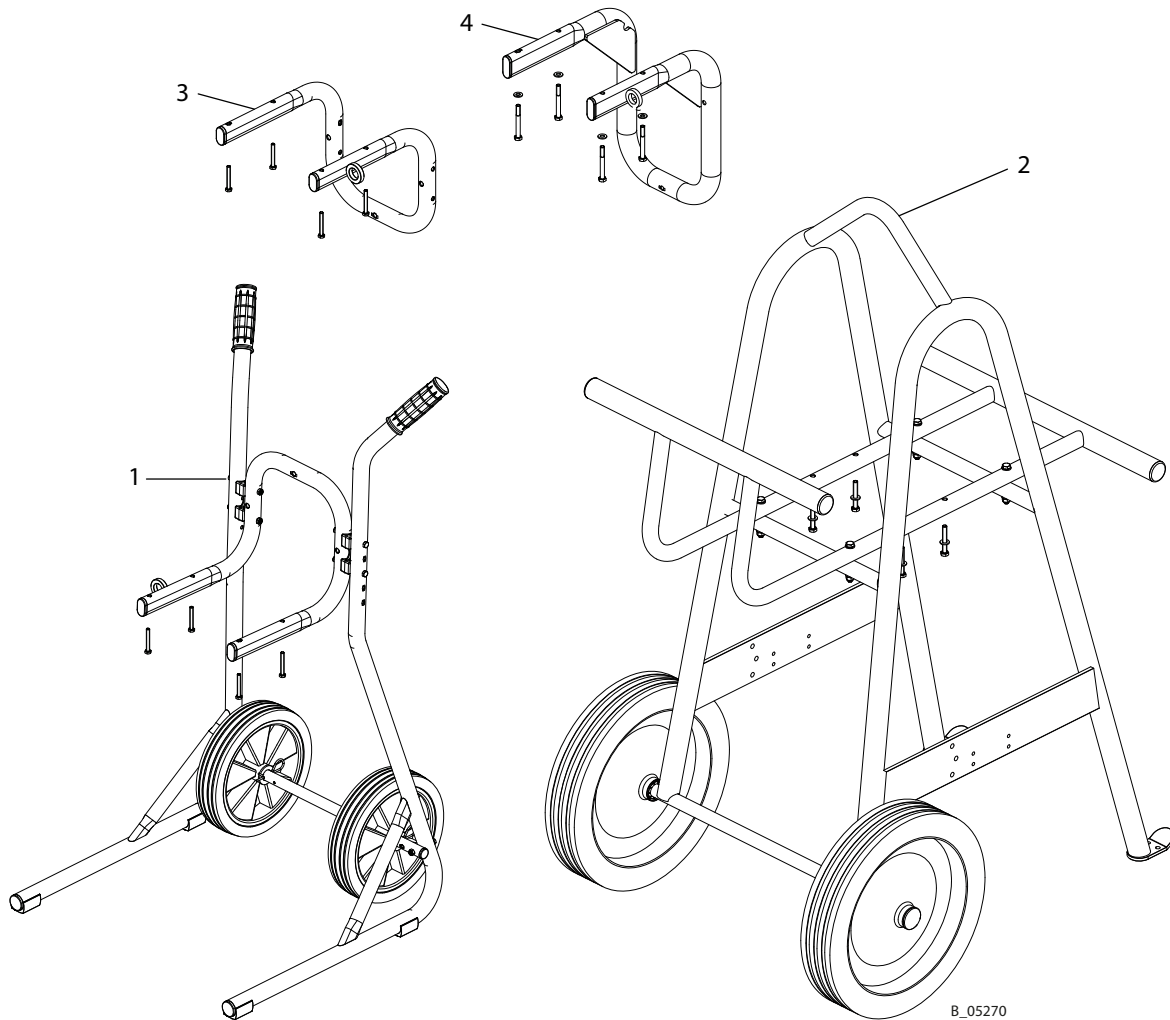
-- = Item not available as spare part.

/ = Item does not exist.

* Pos 4, 5, 7, 8: max. 10 bar.

If a feed pump (>10 bar) is used, do not use downstream of the feed pump.

13.2.3 TROLLEY AND WALL MOUNT



B_05270

Pos	K	LEOPARD 35-70	LEOPARD 35-150	LEOPARD 48-110	JAGUAR 75-150	Designation
		Order No.	Order No.	Order No.	Order No.	
A		2329479	2329484	2329490	2329501	Piston pump PE/TG
A		2329481	2329486	2329493	2329505	Piston pump PE/T
A		--	--	2329495	2329503	Piston pump PE/L
A		2366702	/	/	/	Piston pump PE/T TC 1.4404
1		2325916			--	Trolley 6", complete For details, see Chapter 13.13
2		--	2339705			Heavy-duty PC trolley, complete For details, see Chapter 14.14
3		2332145			--	Wall mount 6", complete
4		--			369020	Wall mount 9", complete

-- = Item not available as spare part.

/ = Item does not exist.

14 SPARE PARTS

14.1 HOW CAN SPARE PARTS BE ORDERED?

Always supply the following information to ensure delivery of the right spare part:

Order number, designation and quantity

The quantity need not be the same as the number given in the quantity column "**Stk**" on the list. This number merely indicates how many of the respective parts are used in each component.

The following information is also required to ensure smooth processing of your order:

- billing address
- address for delivery
- name of the person to be contacted in the event of any queries
- type of delivery (normal mail, express delivery, air freight, courier etc.)

Identification in spare parts lists

Explanation of column "**K**" (labeling) in the following spare parts lists:

- ◆ Wearing parts/
- ★ Included in service set

Notice

These parts are not covered by warranty terms.

- Not part of standard equipment, available, however, as additional extra.

Identification in the order no. column.

- Item not available as spare part.
- / Position does not exist.

DANGER

Incorrect maintenance/repair!

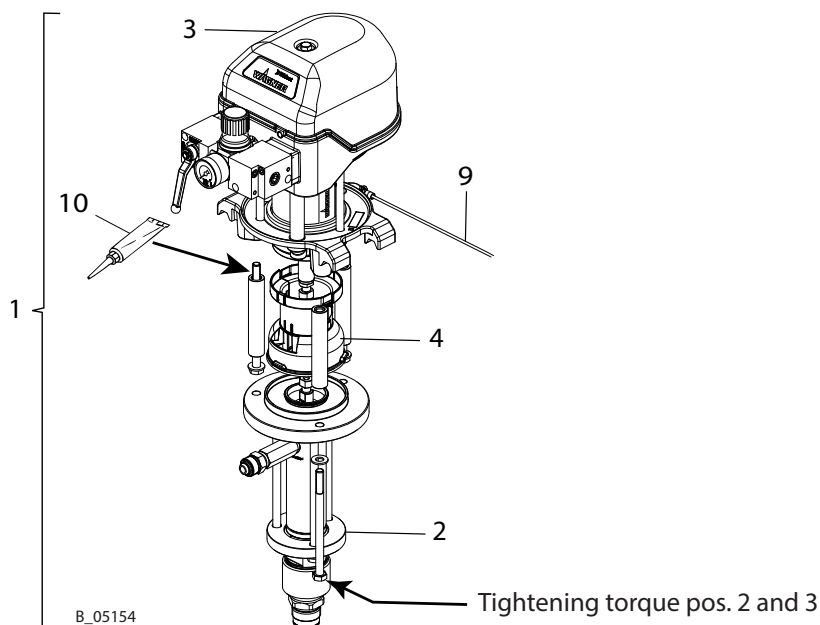
Danger to life and equipment damage.

- Only a WAGNER service center or a suitably trained person may carry out repairs and replace parts.
- Use only WAGNER original spare parts and accessories.
- Only repair and replace parts that are listed in the "Spare parts" chapter and that are assigned to the unit.
- Before all work on the device and in the event of work interruptions:
 - Relieve the pressure from the spray gun, high-pressure hoses and all devices.
 - Secure the spray gun against actuation.
 - Switch off the energy and compressed air supply.
 - Disconnect the control unit from the mains.
- Observe the operating and service manual for all work.



14.2 OVERVIEW OF THE COMPONENTS

Wildcat 10-70
Wildcat 18-40
Puma 28-40
Puma 15-70

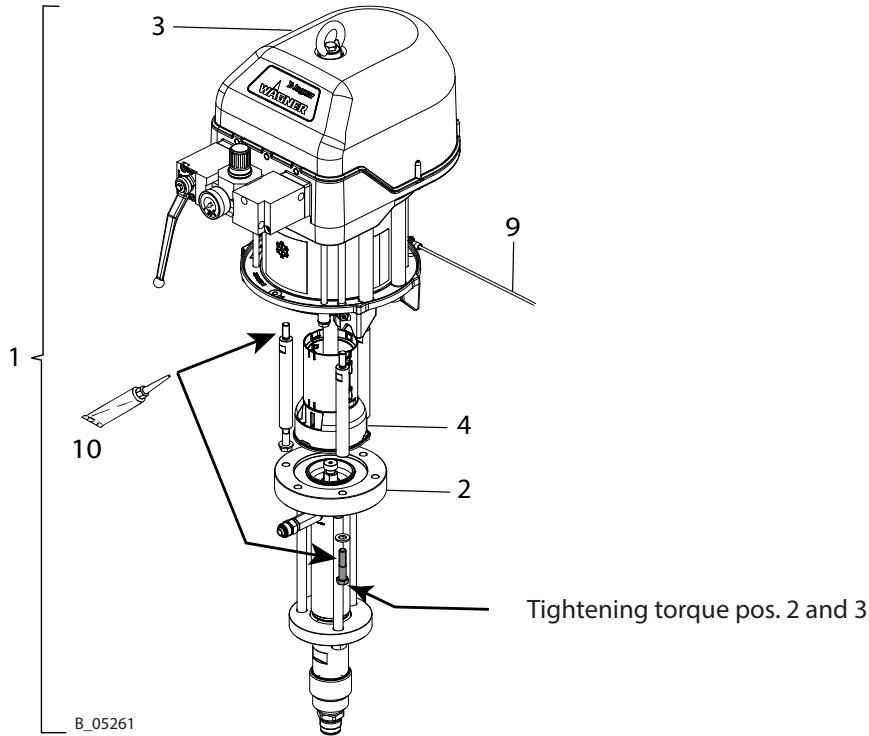


Pos	Designation	WILDCAT 10-70		WILDCAT 18-40	
		PE/TG	PE/T	PE/TG	PE/T
1	Piston pump	2329460	2329462	2329456	2329458
2	Fluid section	2329645	2329647	2329641	2329643
3	Air motor 3/75	2329613			
4	Connection set for air motor - fluid section	2350030		2350028	
9	Grounding cable, complete	236219			
10	Molykote® DX grease	9992616			
Tightening torque for air motor/fluid section		25 Nm; 18 lbft			

Pos	Designation	WILDCAT 10-70 PE/T TC 1.4404			
		Order No.			
1	Piston pump	2366704			
2	Fluid section	2366710			
3	Air motor 3/75	2334375			
4	Connection set for air motor - fluid section	2350030			
9	Grounding cable, complete	236219			
10	Molykote® DX grease	9992616			
Tightening torque for air motor/fluid section		25 Nm; 18 lbft			

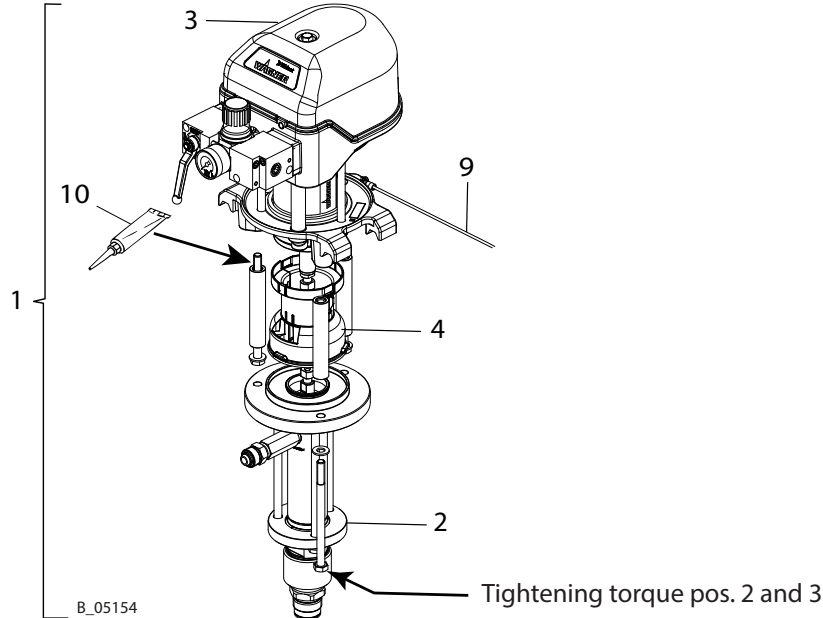
Pos	Designation	PUMA 28-40		PUMA 15-70	
		PE/TG	PE/T	PE/TG	PE/T
1	Piston pump	2329467	2329469	2329471	2329473
2	Fluid section	2329641	2329643	2329645	2329647
3	Air motor 3/75	2329617			
4	Connection set for air motor - fluid section	2350028		2350030	
9	Grounding cable, complete	236219			
10	Molykote® DX grease	9992616			
Tightening torque for air motor/fluid section		25 Nm; 18 lbft			

**Puma 15-150
Puma 21-110**



Pos	Designation	PUMA 15-150		PUMA 21-110	
		PE/TG	PE/T	PE/TG	PE/T
1	Piston pump	2329475	2329477	2329517	2330614
2	Fluid section	2329650	2329652	2329654	2329656
3	Air motor 3/75	2329619			
4	Connection set for air motor - fluid section	2350031			
9	Grounding cable, complete	236219			
10	Molykote® DX grease	9992616			
Tightening torque for air motor/fluid section		50 Nm; 37 lbft			

Leopard 35-70

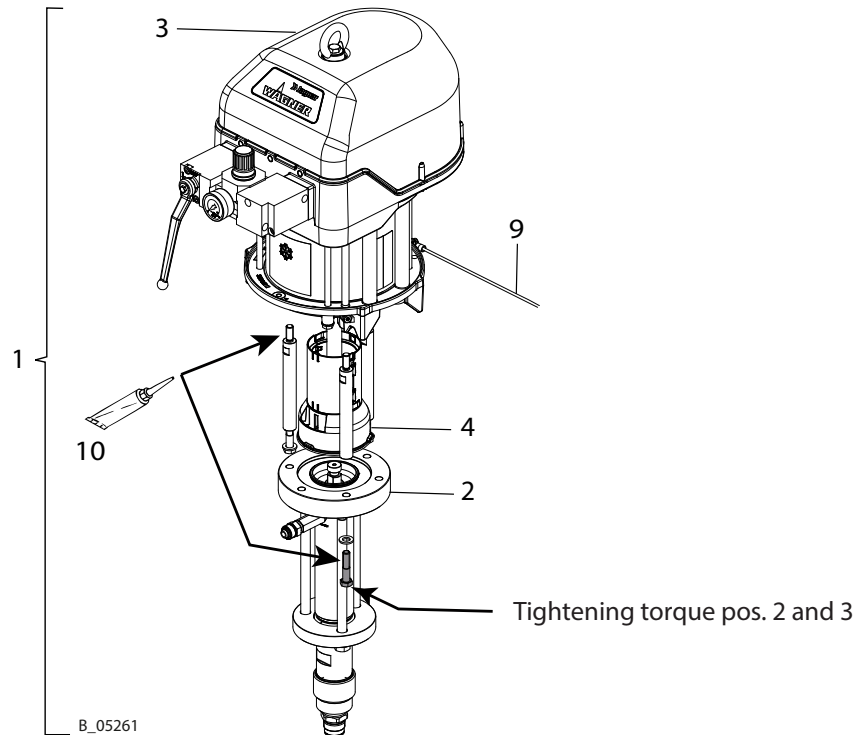


Pos	Designation	LEOPARD 35-70		LEOPARD 35-150	
		PE/TG	PE/T	PE/TG	PE/T
		Order No.	Order No.	Order No.	Order No.
1	Piston pump	2329479	2329481	2329484	2329486
2	Fluid section	2329645	2329647	2329650	2329652
3	Air motor 3/75	2329621		2329623	
4	Connection set for air motor - fluid section	2350032		2350033	
9	Grounding cable, complete	236219			
10	Molykote® DX grease	9992616			
Tightening torque for air motor/fluid section		25 Nm; 18 lbft		50 Nm; 37 lbft	

Pos	Designation	LEOPARD 35-70 PE/T TC 1.4404	
		Order No.	
1	Piston pump	2366702	
2	Fluid section	2366710	
3	Air motor 3/75	2334375	
4	Connection set for air motor - fluid section	2350030	
9	Grounding cable, complete	236219	
10	Molykote® DX grease	9992616	
Tightening torque for air motor/fluid section		25 Nm; 18 lbft	

Pos	Designation	LEOPARD 48-110		
		PE/TG	PE/T	PE/L
		Order No.	Order No.	Order No.
1	Piston pump	2329490	2329493	2329495
2	Fluid section	2329654	2329656	2329658
3	Air motor	2329623		
4	Connection set for air motor - fluid section	2350033		
9	Grounding cable, complete	236219		
10	Molykote® DX grease	9992616		
Tightening torque for air motor/fluid section		50 Nm; 37 lbft		

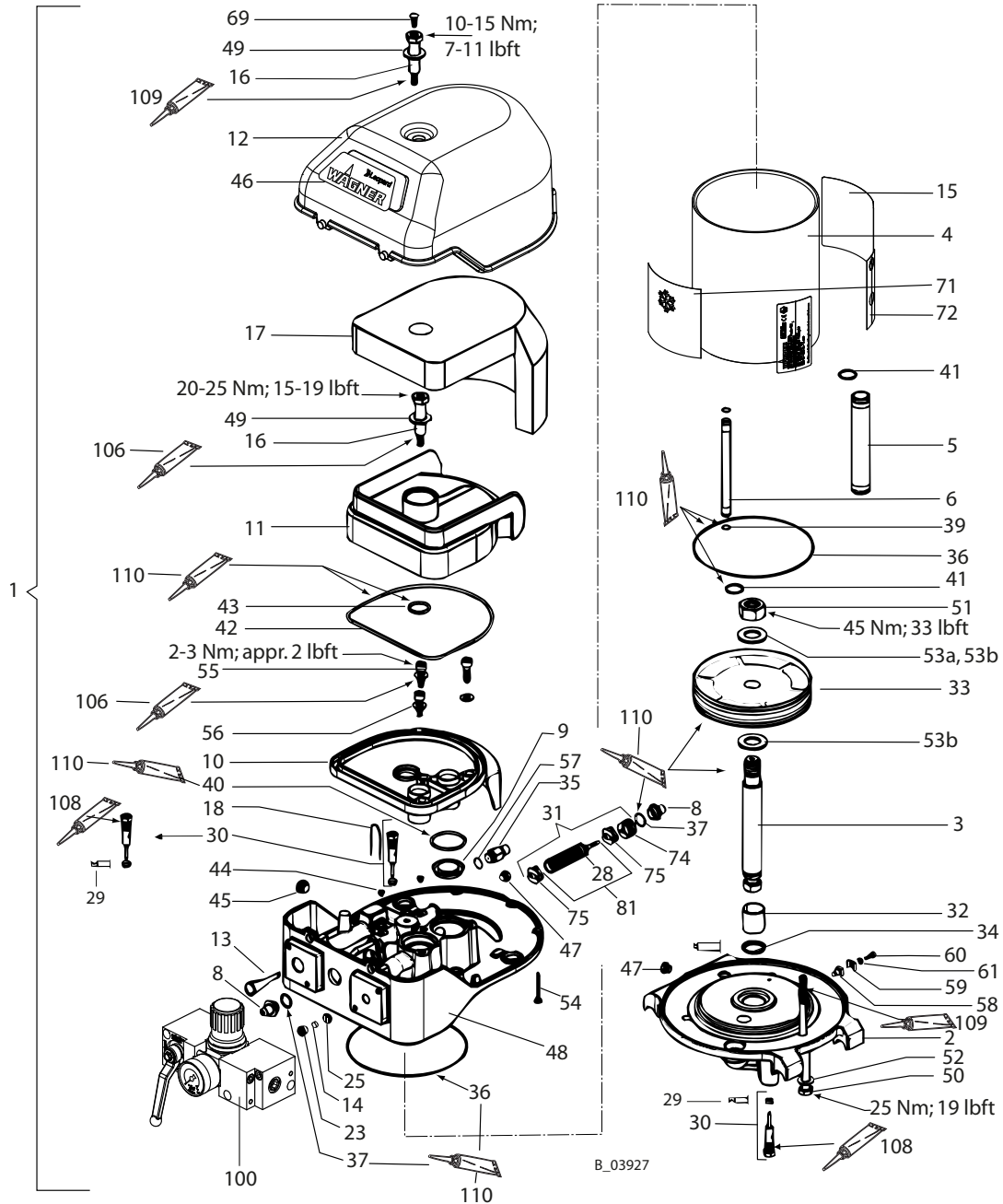
Leopard 35-150
Leopard 48-110
Jaguar 75-150



Pos	Designation	JAGUAR 75-150		
		PE/TG Order No.	PE/T Order No.	PE/L Order No.
1	Piston pump	2329501	2329505	2329503
2	Fluid section	2329650	2329652	2329664
3	Air motor	2329625		
4	Connection set for air motor - fluid section	2350033		
9	Grounding cable, complete	236219		
10	Molykote® DX grease	9992616		
Tightening torque for air motor/fluid section		50 Nm; 37 lbft		

14.3 AIR MOTORS

14.3.1 WILDCAT, PUMA AND LEOPARD AIR MOTORS



Pressure regulator (pos. 100):
For details, see Chapter [14.3.2](#) and/or Chapter [14.3.3](#)

Do not dismount the piston (pos. 81).

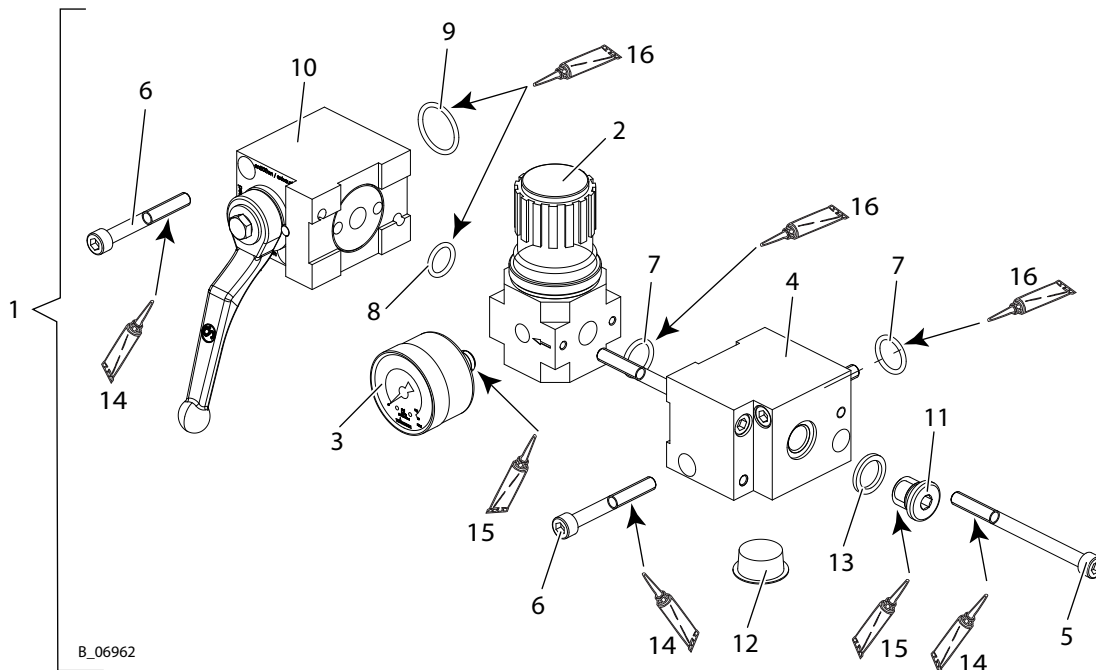
Pos	K	Stk	WILDCAT	PUMA	PUMA	LEOPARD	LEOPARD	Designation
			10-70 18-40	28-40 15-70	21-110 15-150	35-70	48-110 35-150	
			Order No.	Order No.		Order No.		
1		1	2329613	2329617	2329619	2329621	2329623	Air motor
		1	2334375	/			/	Air motor TC 1.4404
2		1	2344071			2344075		Flange
		1	2349900	/		/		Flange TC 1.4404
3		1	367302		367402	368302	368402	Piston rod
4		1	366303	367303	367403	368303	368403	Cylinder pipe
5		1	367304		367404	368304	368404	Compressed air pipe
6		1	367305		367405	367305	367405	Control air pipe
8		2	367307					Plug
9	◆ ★	2	L414.06C			L423.06		Outlet seal
10		1	367309			368309		Connecting part
11		1	367310			368310		Silencer
12		1	367311			368311		Hood
13	◆ ★	1	367313					Compressed air filter
14	◆ ★	1	367314					Control air filter
15		1	2332082					Fluid warning label
16		2	367318			368324		Shoulder screw
17	◆	1	367319			368319		Sound deadening pad
18		2	367320			368320		Cotter pin
23		1	367324					Filter holder
25		1	/	/	/	367325		Throttle
28	◆	6	9971123			9974142		O-ring
29	◆	2	9974217					Rod seal
30	◆	2	369290					Pilot valve
31	◆	1	9943080			9943081		Spool and sleeve assembly, complete
32	◆	1	9962018			9962019		Permaglide bushing
33	◆	1	9998663	9998661		9998662		Complete piston
34	◆ ★	1	9974090			9974091		Seal wiper ring
35		1	368288			/		Safety valve, 8.4 bar
		1	/			368286		Safety valve, 7.5 bar
		1	/			/		Safety valve, 8.1 bar
		1	2336178	/		/		Safety valve, 4.4 bar TC 1.4404
36	◆ ★	2	9974115	9974084		9974087		O-ring
37	◆ ★	2	9974085					O-ring
39	◆ ★	2	9974089					O-ring
40	◆ ★	2	9974095			9974096		O-ring
41	◆ ★	2	9971448			9971137		O-ring
42	◆ ★	1	9974097			9974100		O-ring
43	◆ ★	1	9974098			9974101		O-ring
44		2	9998674					Threaded plug
45		1	9998274					Threaded plug
46		1	2330369	2330370		2330371		Label, WAGNER

Pos	K	Stk	WILDCAT	PUMA	PUMA	LEOPARD	LEOPARD	Designation
			10-70 18-40	28-40 15-70	21-110 15-150	35-70	48-110 35-150	
			Order No.	Order No.	Order No.	Order No.	Order No.	
47		2	9998675					Threaded plug
48		1	2359165			2359171		Control housing
		1	2359170	/				Control housing TC 1.4404
49		2	9925033	9920106		9925026		Washer
50		3	9900225	9907121		9900225		Hexagon screw
51		1	2386160 (new)			2386161 (new)		Self-locking hexagon nut
		1	9910101 (old)			9910605 (old)		Hexagon nut secured with Loctite 243
52		3	9920106					Washer
53a		1	9920107			/		Washer
53b		2	/	/	/	9920110		Washer
54		2	9907126			/		SFS screw
		3	/	/	/	9907125		SFS screw
55		3	9900325			9900313		Socket cap screw, M6x16
56		3	9920103			9920102		Washer
57	◆ ★	1	9970149					Sealing ring
58		1	9952668					Base
59		1	9952667					Clamping bracket
60		1	9900701					Socket cap screw
61		1	9921505					Spring washer
69		1	9998718					Drive fastener
71		1	2330382					IceBreaker label
72		1	2332077					Warning label
74	◆	1	368038					Detent element, complete ISO 1/2
75	◆	2	368313					Damper ISO 1/2
81	◆	1	9943097			9943098		Spool and sleeve assembly ISO1 or ISO2
100		1	2384849			/		Pressure regulator unit, 4", complete For details, see Chapter 14.3.2
		1	/			2328607		Pressure regulator unit 6", complete For details, see Chapter 14.3.3
106		1	9992590					Loctite® 222 50 ml; 50cc
108		1	9992831					Loctite® 542, 50 ml; 50cc
109		1	9992616					Molykote® DX grease
110		1	9998808					Mobilux® EP 2 grease
		1	366995	367995		368995		Service set
		1	9992511					Loctite® 243, 50 ml; 50cc

◆ = Wearing parts

★ = Included in service set

14.3.2 WILDCAT AND PUMA AIR MOTOR REGULATORS

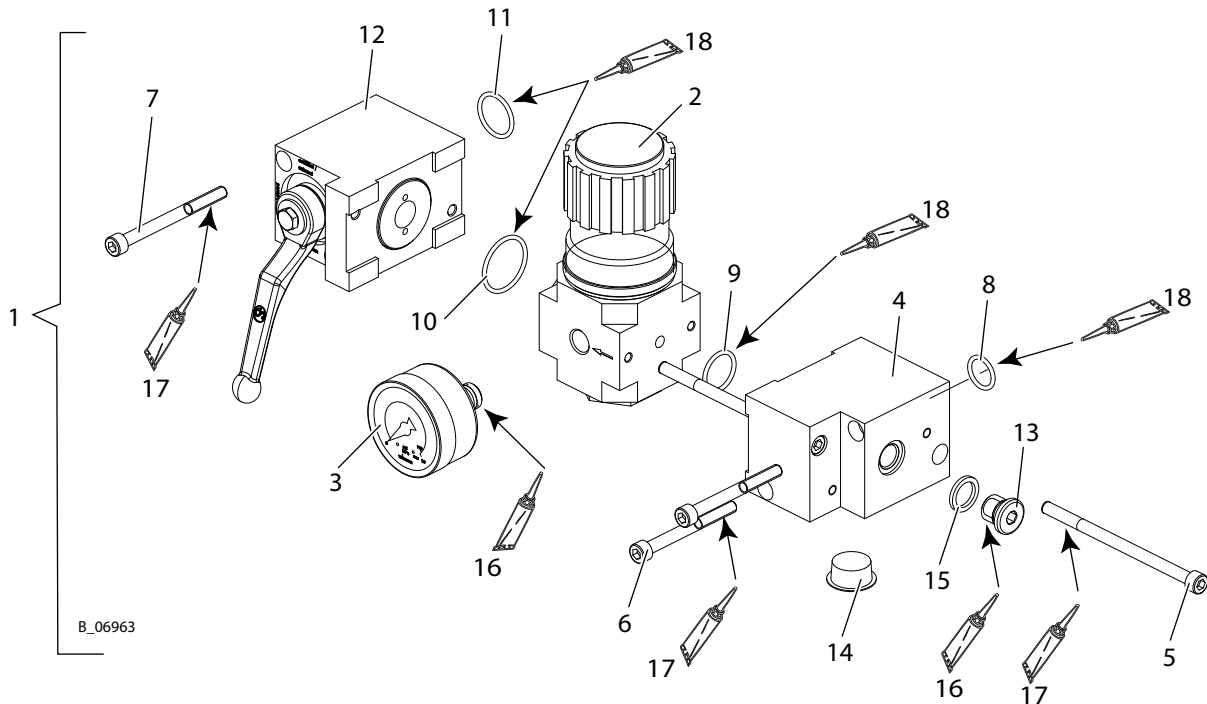


Pos 3: Screw in the pressure gauge only until the white sealing ring is completely inside the filter control valve. Thereafter continue turning the pressure gauge only to align the display scale.

Pos	K	Stk	WILDCAT	PUMA	PUMA	Designation
			10-70 / 18-40	28-40 / 15-70	21-110 / 15-150	
			Order No.			
1		1		2384849		Pressure regulator unit, 4" complete
2	◆	1		2309972		Pressure regulator valve, 4"
3	◆	1		9998677		Pressure gauge 0-10 bar (d40)
4		1		2309744		Distribution piece, 4"
5		2		9907039		Hexagon socket cylinder head screw
6		4		9900316		Hexagon socket cylinder head screw
7	◆	2		9974166		O-ring
8	◆	1		9971313		O-ring
9	◆	1		9971137		O-ring
10	◆	1		2360756		Edge ball valve, 4"
11		1		9904307		Screw plug
12		1		9990506		Cone plug, GPN 600
13		1		9970154		Sealing ring
14		1		9992616		Molykote® DX grease
15		1		9992831		Loctite® 542, 50 ml; 50cc
16		1		9998808		Mobilux® EP 2 grease

◆ = Wearing parts

14.3.3 LEOPARD AIR MOTOR REGULATOR

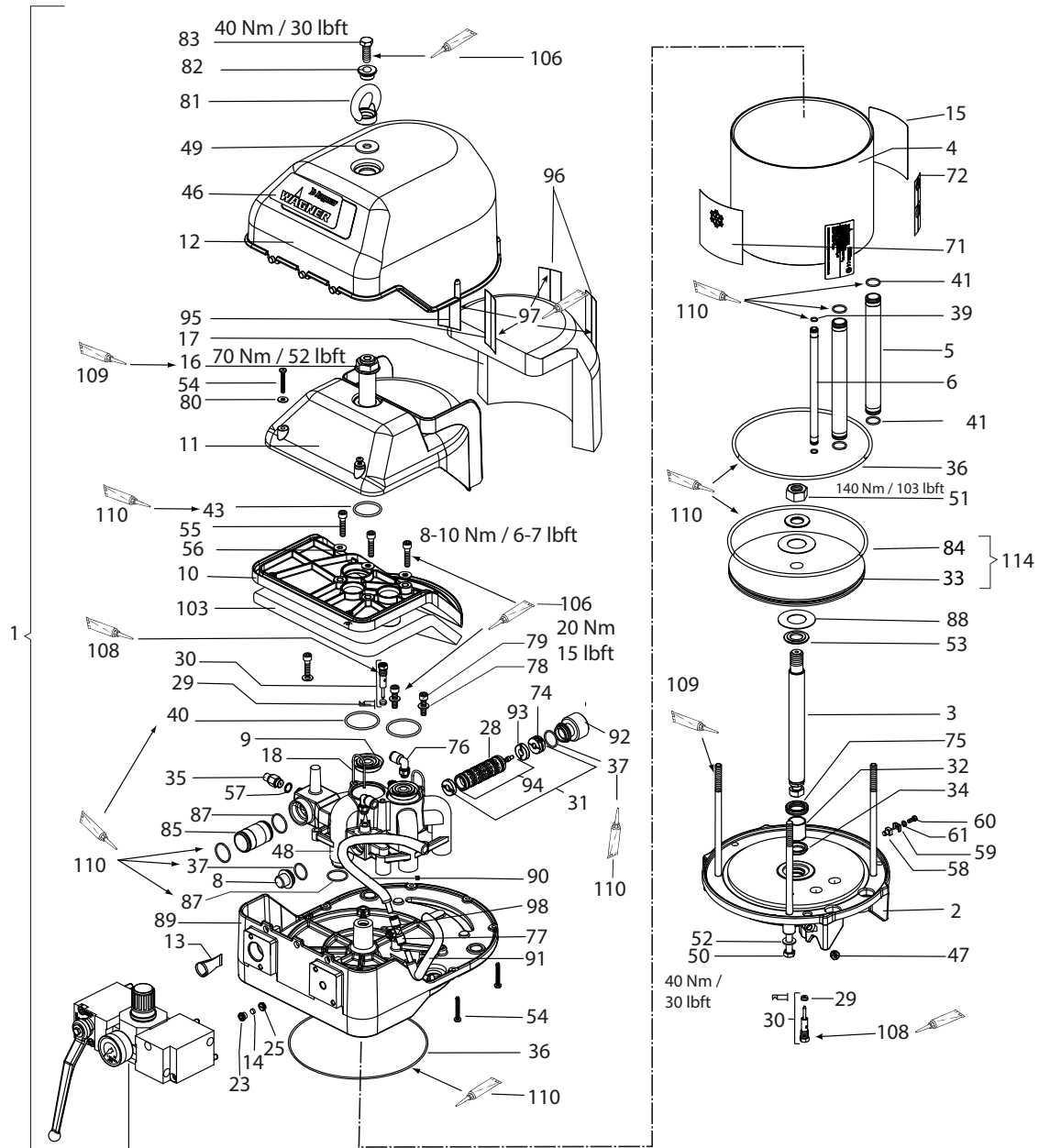


Pos 3: Screw in the pressure gauge only until the white sealing ring is completely inside the filter control valve. Thereafter continue turning the pressure gauge only to align the display scale.

Pos	K	Stk	LEOPARD	LEOPARD	Designation
			35-70	48-110 / 35-150	
			Order No.		
1		1	2328607		Pressure regulator unit, 6" complete
2	◆	1	2309973		Pressure regulator valve, 6"
3	◆	1	9998725		Pressure gauge 0-10 bar (d50)
4		1	2309783		Distribution piece, 6"
5		2	3050699		Hexagon socket cylinder head screw
6		2	9907024		Hexagon socket cylinder head screw
7		2	9906020		Hexagon socket cylinder head screw
8	◆	1	9974166		O-ring
9	◆	1	9971018		O-ring
10	◆	1	3105540		O-ring
11	◆	1	9971137		O-ring
12	◆	1	2370107		Edge ball valve, 6"
13		1	9904307		Screw plug
14		1	9990506		Cone plug, GPN 600
15		1	9970154		Sealing ring
16		1	9992831		Loctite® 542
17		1	9992616		Molykote® DX grease
18		1	9998808		Mobilux® EP 2 grease

◆ = Wearing parts

14.3.4 JAGUAR AIR MOTOR



105 Pressure regulator (pos. 105):
For details, see Chapter [14.3.5](#)

Do not dismantle the piston (pos. 94).

B_03928

Pos	K	Stk	JAGUAR 75-150	
			Order no.	Designation
1		1	2329625	Air motor
2		1	369316	Flange
3	◆	1	368402	Piston rod
4		1	369403	Cylinder pipe
5		2	368404	Compressed air pipe
6		1	367405	Control air pipe
8		1	369307	Sealing plug
9	◆ ★	2	369312	Outlet seal
10		1	369309	Connecting part
11		1	369310	Silencer
12		1	369905	Hood
13	◆ ★	1	369313	Compressed air filter
14	◆	1	367314	Control air filter
15		1	2332082	Fluid warning label
16		1	369318	Shoulder screw
17	◆	1	369906	Sound absorbing mat
18		2	369320	Cotter pin
23		1	367324	Filter holder
25		1	367325	Throttle
28	◆	6	9974143	O-ring
29	◆	2	9974217	Rod seal
30	◆	2	369290	Pilot valve
31	◆	1	369907	Spool-sleeve combination assembly, ISO3
32	◆	1	9962019	Permaglide bushing
33		1	369385	Piston 9
34	◆ ★	1	9974125	Seal wiper ring
35		1	368286	Safety valve, 7.5 bar
36	◆ ★	2	9974133	O-ring
37	◆ ★	2	9971056	O-ring
39	◆ ★	2	9974089	O-ring
40	◆ ★	2	9974132	O-ring
41	◆ ★	4	9971137	O-ring
43	◆ ★	1	9974165	O-ring
46		1	2330372	Label, WAGNER
47		2	9998675	Threaded plug
48		1	369315	Control housing
49		1	9925034	Washer
50		4	9907137	Hexagon screw
51		1	2386161	Self-locking hexagon nut (new)
		1	9910605	Hexagon nut, secured with Loctite® 243 (old version!)
52		4	9920106	Washer
53		2	369303	Washer
54		7	9907125	SFS screw
55		3	9900314	Socket cap screw
56		3	9925029	Washer
57	◆ ★	1	9970149	Sealing ring
58		1	9952668	Base
59		1	9952667	Clamping bracket
60		1	9900701	Socket cap screw

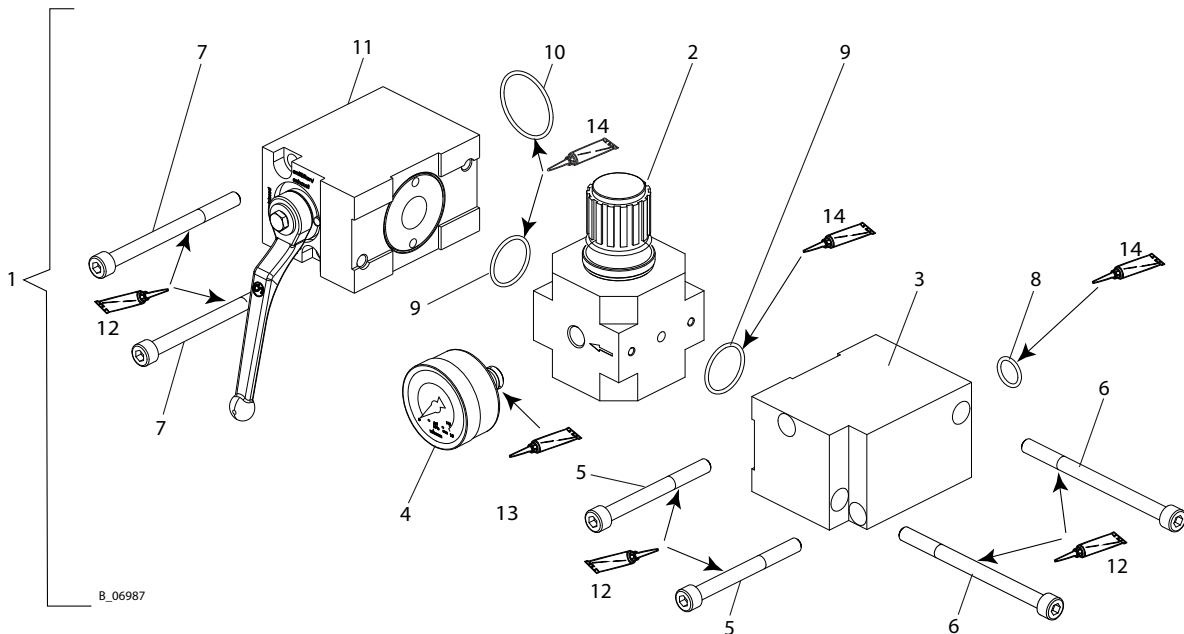
Pos	K	Stk	JAGUAR 75-150	
			Order no.	Designation
61		1	9921505	Spring washer
71		1	2330382	IceBreaker label
72		1	2332077	Warning label
74	◆	1	369027	Detent body
75		1	9974124	Rod seal profile E5
76		2	9992757	Threaded elbow fitting
77		1	9992758	Screw connector T
78		4	9920102	Washer
79		4	9900313	Socket cap screw
80		2	9925031	Washer
81		1	369325	Lifting eye nut
82		1	369324	Shoulder ring
83		1	9900150	Hexagon screw
84	◆ ★	1	9974262	O-ring
85		1	369306	Air pipe
87	◆	3	9971004	O-ring
88		2	369304	Damping washer
89		1	369317	Control flange
90		1	369026	Air hose, rear
91		1	369025	Air hose, front
92		1	369326	Lock space 9
93	◆	2	369329	Damper ISO3
94	◆	1	9943131	Spool & sleeve assembly, ISO3
95	◆	1	9999151	Velcro fastener adhesive part
96	◆	1	9999152	Velcro fastener coating part
97		1	9992816	Miranit contact adhesive
98	◆	1	9971372	Viton B O-ring
103	◆	1	369330	Sound absorbing mat 9/12"
105		1	2328609	Pressure regulator unit, 9", complete. For details, see Chapter 14.3.3
106		1	9992590	Loctite® 222 50 ml; 50cc
108		1	9992831	Loctite® 542 50 ml; 50cc
109		1	9992616	Molykote® DX grease
110		1	9998808	Mobilux® EP 2 grease
114	●	1	369971	Piston 9 with SOFT O-ring
		1	369987	Service set
		1	9992511	Loctite® 243 50 ml; 50cc

◆ = Wearing parts

★ = Included in service set

● = Not part of the standard equipment but available as a special accessory

14.3.5 JAGUAR AIR MOTOR REGULATOR



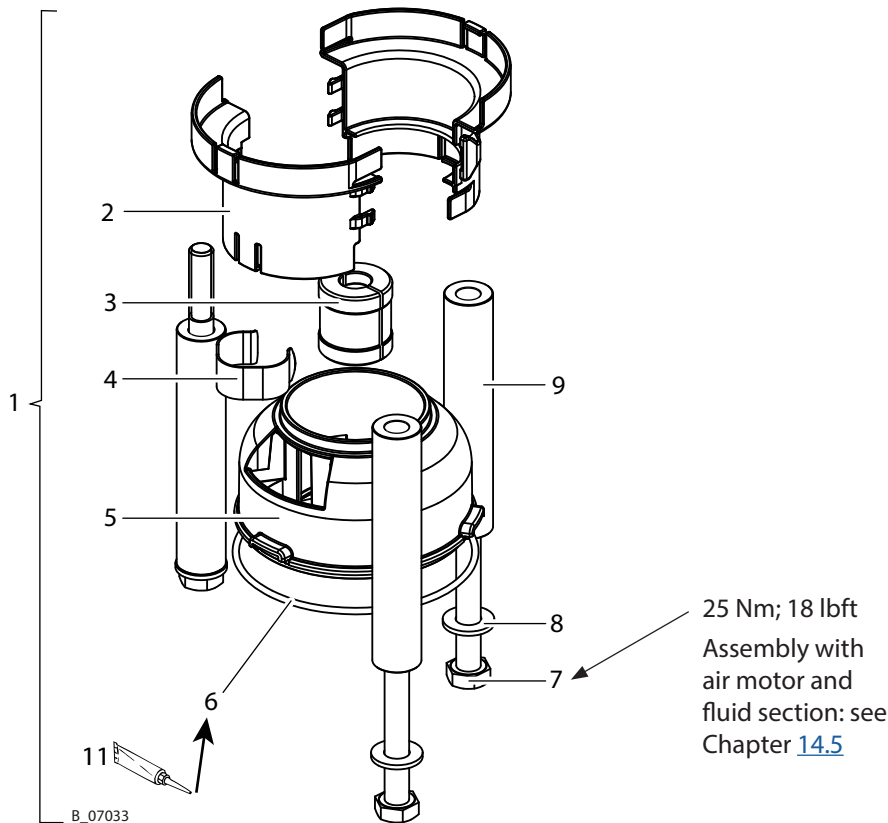
Pos 4: Screw in the pressure gauge only until the white sealing ring is completely inside the filter control valve. Thereafter continue turning the pressure gauge only to align the display scale.

Pos	K	Stk	JAGUAR 75-150	
			Order no.	Designation
1		1	2328609	Pressure regulator unit, 9" complete
2	◆	1	2309974	Pressure regulator valve, 9"
3		1	2309963	Distribution piece, 9"
4	◆	1	9998725	Pressure gauge 0-10 bar (d50)
5		2	9900360	Hexagon socket cylinder head screw
6		2	9907087	Hexagon socket cylinder head screw
7		2	9900356	Hexagon socket cylinder head screw
8	◆	1	9974166	O-ring
9	◆	2	3105540	O-ring
10	◆	1	9971405	O-ring
11	◆	1	2371922	Edge ball valve, 9"
12		1	9992616	Molykote® DX grease
13		1	9992831	Loctite® 542, 50 ml; 50cc
14		1	9998808	Mobilux® EP 2 grease

◆ = Wearing parts

14.4 CONNECTION SETS

14.4.1 CONNECTION SETS FOR 40-70 CM³

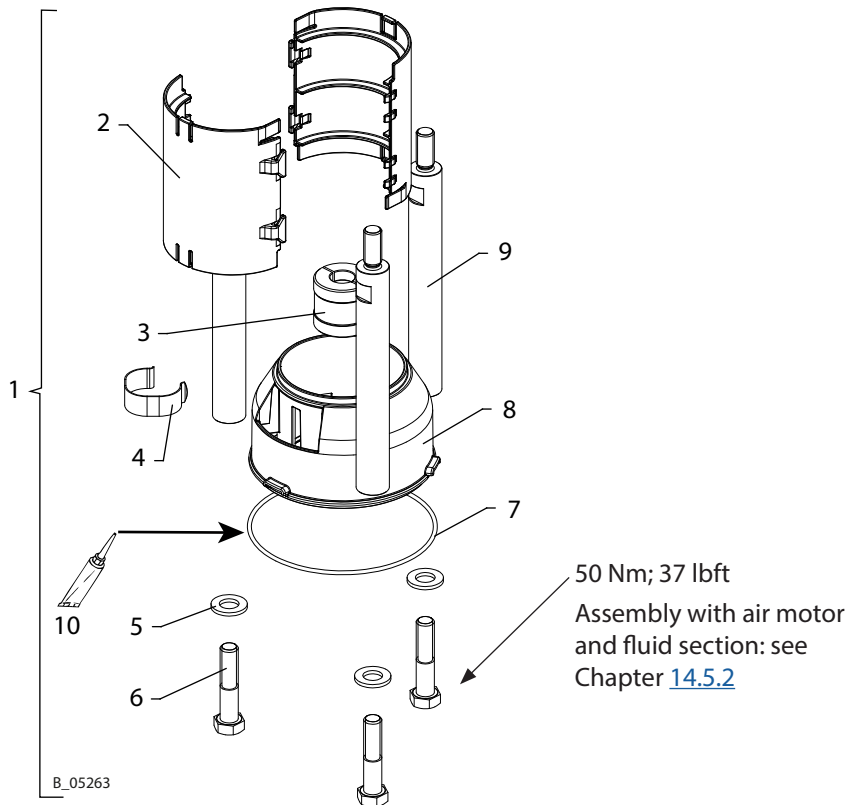


Pos	K	Stk	Wildcat 18-40	Wildcat 10-70	Leopard 35-70	Designation
			Puma 28-40	Puma 15-70	LM-FS 4	
			LM-FS 1	LM-FS 2	LM-FS 4	
			Order No.	Order No.	Order No.	
1		1	2350028	2350030	2350032	Connection set LM-FS ...
2		2		367532		Coupling cover stroke 75
3		1	367529	367579	368529	Coupling
4		1	367530		368530	Spring
5		1	367531			Separating agent cup, stroke 75
6	◆ ★	1	9974093			O-ring
7		3	9900225			Hexagon screws
8		3	9920106			Washer
9		3	367306			Connecting tube stroke 75
11		1	9998808			Mobilux® EP 2 grease

◆ = Wearing parts

★ = Included in the service set of the fluid section PE/TG or PE/T (see Chapter 14.5).

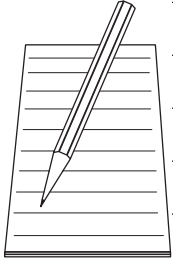
14.4.2 CONNECTION SETS FOR 110-150 CM³



Pos	K	Stk	Puma 15-150 / 21-110 LM-FS 3	Leopard 35-150 / 48-110 Jaguar 75-150 LM-FS 5	Designation
			Order No.	Order No.	
1		1	2350031	2350033	Connection set LM-FS ...
2		2	368532		Coupling cover stroke 150
3		1	367579	368529	Coupling
4		1	367530	368530	Spring
5		3	9920107		Washer, A12, DIN 125-1
6		3	9900157		Hexagon screws
7	◆ ★	1	9974116		O-ring
8		1	368531		Separating agent cup, stroke 150
9		3	368533		Threaded bolt, M12x169
10		1	9998808		Mobilux® EP 2 grease

◆ = Wearing parts

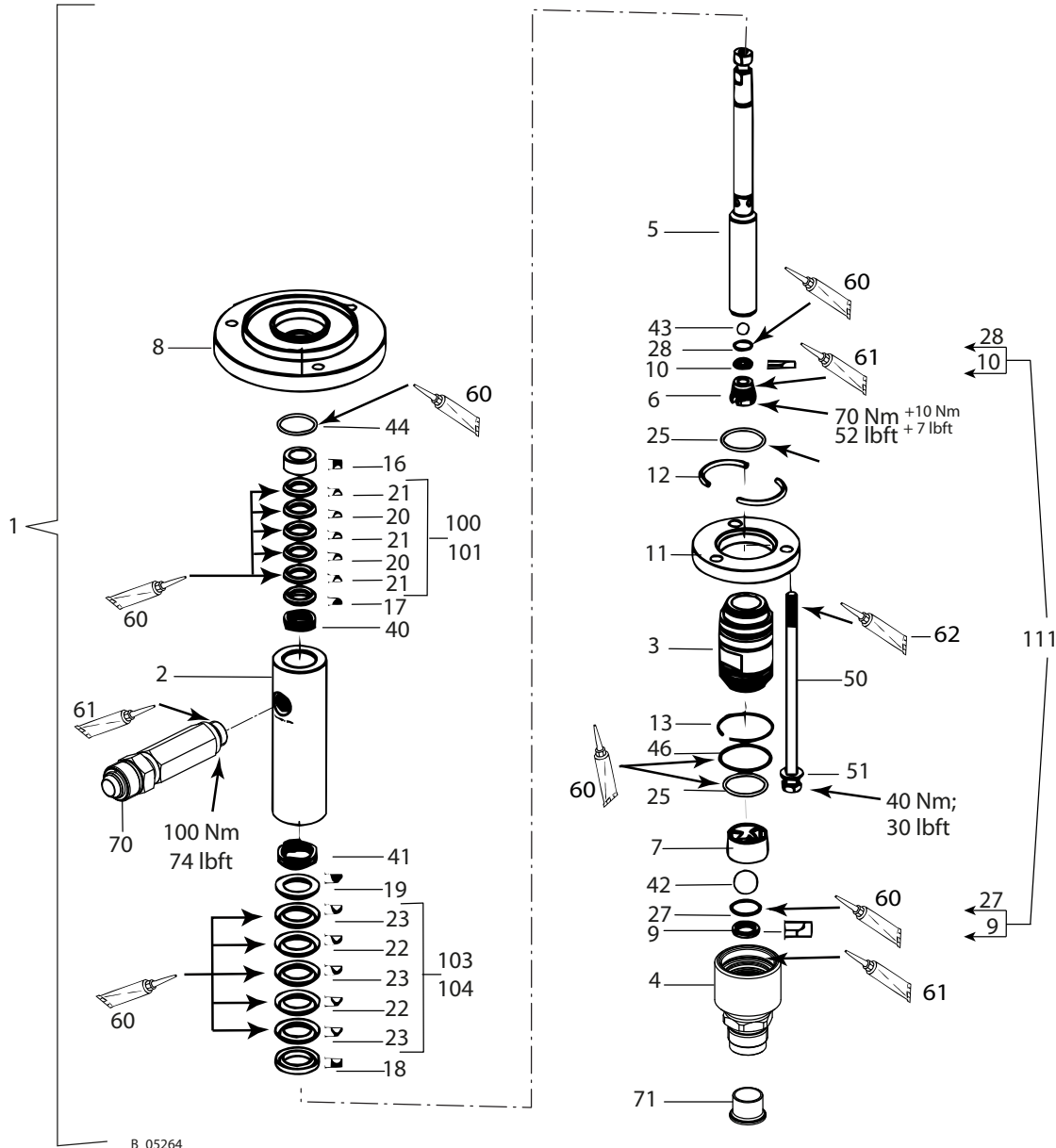
★ = Included in the service set of the fluid section PE/TG or PE/T or PE/L (see Chapter 14.5).



A series of horizontal lines for writing, starting from the top of the page and extending down to the bottom. The lines are evenly spaced and cover most of the page width.

14.5 FLUID SECTIONS

14.5.1 FLUID SECTIONS 40 CM³



Pos. 4 Tighten by hand on block.

Use a standard wrench only if necessary. In this case, use a wrench to counterhold pos. 3.

* Notice regarding pos. 111: Stainless steel valve seat set 40, consisting of: pos. 28, 10, 27, 9, but in stainless steel version.

Pos	K	Stk	PE/TG	PE/T	Designation
			Order No.	Order No.	
1		1	2329641	2329643	Fluid section 40 cm ³
2		1	367502		Pipe
3		1	367503		Cylinder
4		1	2322467		Inlet housing 40
5	◆	1	367505		Piston
6		1	367506		Valve screw
7	◆ ★	1	367507		Ball guide, inlet
8		1	367501		Connecting flange
9	◆	1	367509		Valve seat, inlet
10	◆	1	367510		Valve seat, outlet
11		1	367511		Snap ring flange
12		2	367512		Snap ring half
13		1	367513		Securing ring
16		1	367516		Support ring
17		1	367517		Pressure ring
18		1	367518		Support ring
19		1	367519		Pressure ring
100	◆	1	115805	/	Packing PE/TG, complete (small)
101	◆	1	/	123219	Packing PE/T, complete (small)
20	◆ ★	2	123398	/	Sealing collar TG (small)
20	◆ ★	2	/	123426	Sealing collar T (small)
21	◆ ★	3	123427		Sealing collar PE (small)
103	◆	1	367991	/	Packing PE/TG, complete (large)
104	◆	1	/	367992	Packing PE/T, complete (large)
22	◆ ★	2	367522	/	Sealing collar TG (large)
22	◆ ★	2	/	367900	Sealing collar T (large)
23	◆ ★	3	367523		Sealing collar PE (large)
25	◆ ★	2	367525		O-ring
27	◆ ★	1	367527		O-ring
28	◆ ★	1	367528		O-ring
40	◆ ★	1	9998669		Wave spring (small)
41	◆ ★	1	9998670		Wave spring (large)
42	◆ ★	1	9941513		Ball (large)
43	◆ ★	1	9941518		Ball (small)
44	◆ ★	1	9974094		O-ring
46	◆ ★	1	9974106		O-ring
50		3	9907124		Hexagon screw
60		1	9998808		Mobilux® EP 2 grease
61		1	9992609		Anti-seize paste tube
62		1	9992616		Molykote® DX grease
70		1	2329922		Fitting SF-MM-G3/8"-M24x1.5-PN530-SSt
71		1	2329898		Sealing sleeve
111	●	1	2331582		Valve seat set 40, stainless steel*
		1	367990	/	Service set PE/TG
		1	/	367994	Service set PE/T

◆ = Wearing parts

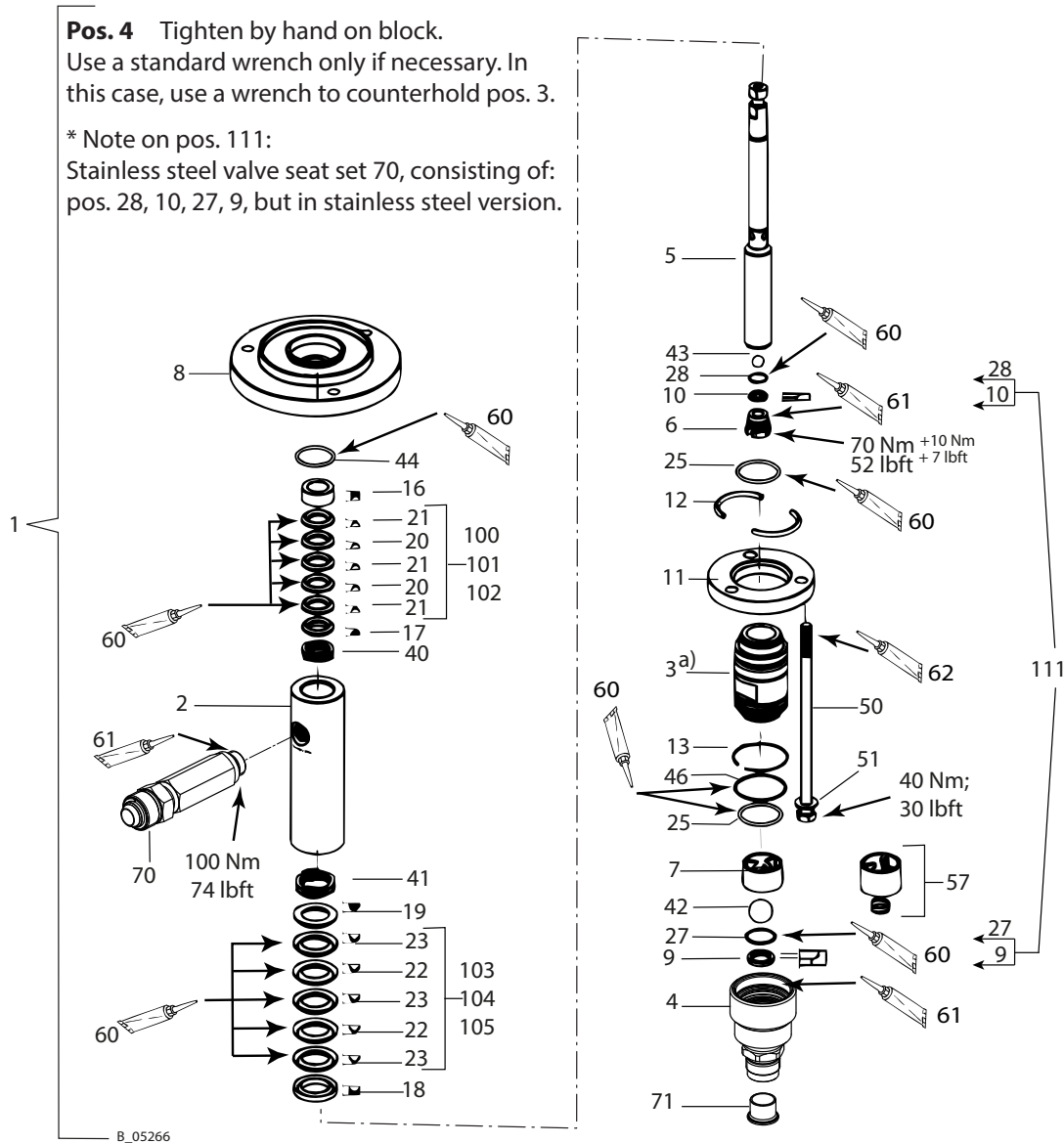
★ = Included in the service set (For more parts, see Chapter [14.4.1](#).)

● = Not part of the standard equipment but available as a special accessory

14.5.2 FLUID SECTIONS 70 CM³

Pos. 4 Tighten by hand on block.
Use a standard wrench only if necessary. In this case, use a wrench to counterhold pos. 3.

* Note on pos. 111:
Stainless steel valve seat set 70, consisting of: pos. 28, 10, 27, 9, but in stainless steel version.



Pos	K	Stk	PE/TG	PE/L	PE/T	PE/TTC 1.4401	Designation
			Order No.	Order No.	Order No.	Order No.	
1		1	2329645	-	2329647	2366710	Fluid section
2		1		368502		2370141	Pipe
3		1		368503		2370139	Cylinder
4		1		2322465		2370138	Inlet housing 70
5	◆	1		368505		2370129	Piston
6		1		368506		2370137	Valve screw
7	◆ ★	1		368507		2338788	Ball guide, inlet
8		1		368501			Connecting flange
9	◆	1		368509			Valve seat, inlet
10	◆	1		368510			Valve seat, outlet

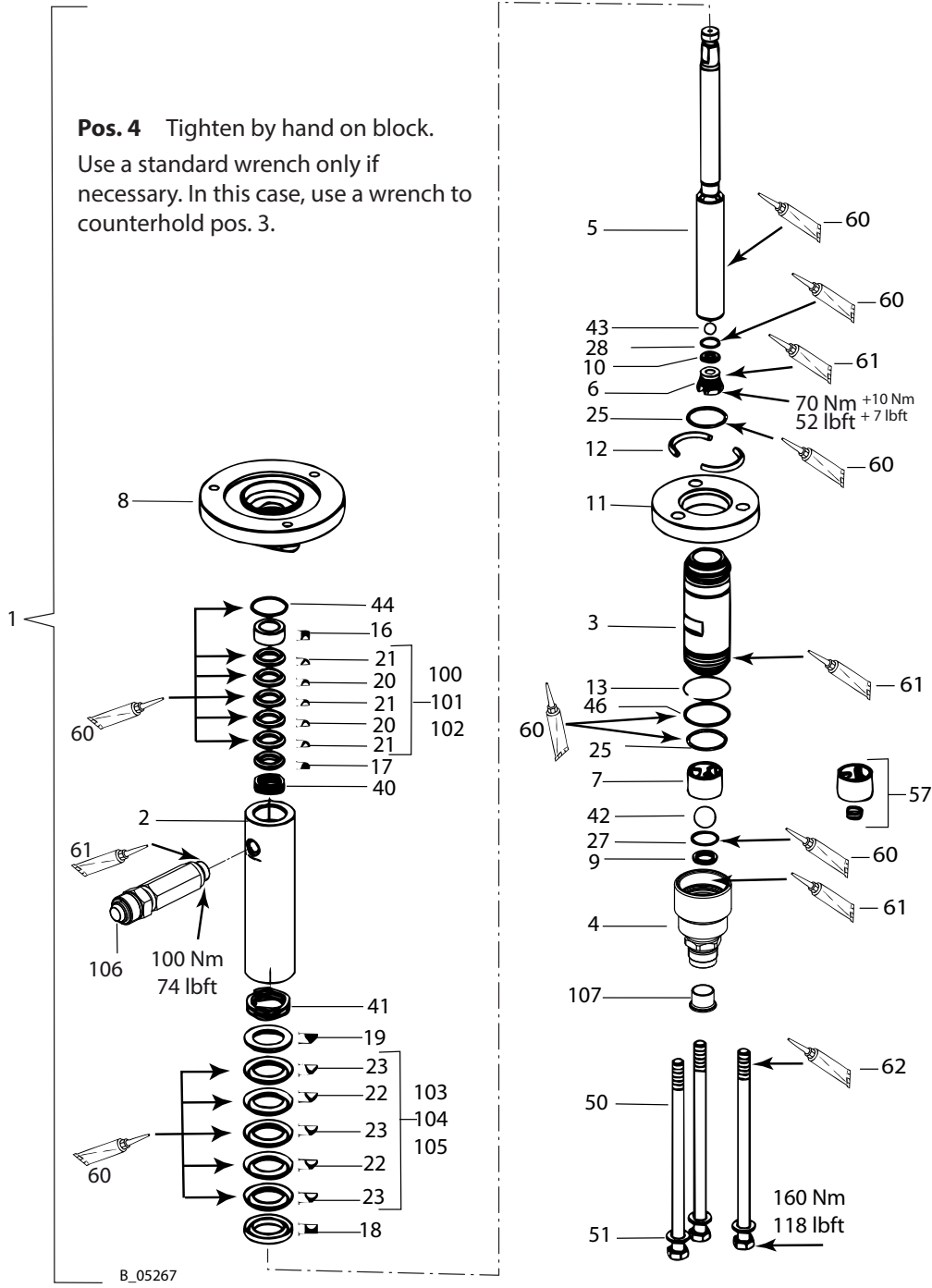
Pos	K	Stk	PE/TG	PE/L	PE/T	PE/T TC 1.4401	Designation
			Order No.	Order No.	Order No.	Order No.	
11		1	368511				Snap ring flange
12		2	368512				Snap ring half
13		1	368513				Securing ring
16		1	368516			2370142	Support ring
17		1	367519			2366649	Pressure ring
18		1	368518			2370140	Support ring
19		1	368519			2366647	Pressure ring
100	◆	1	367991	/	/	--	Packing PE/TG, complete (small)
101	◆	1	/	/	367992		Packing PE/T, complete (small)
102	◆	1	/	367993	/	--	Packing PE/L, complete (small)
20	◆ ★	2	367522	/	/	--	Sealing collar TG (small)
	◆ ★	2	/	/	367900		Sealing collar T (small)
	◆	2	/	367922	/	--	Sealing collar L (small)
21	◆ ★	3	367523			--	Sealing collar PE (small)
103	◆	1	368991	/	/	--	Packing PE/TG, complete (large)
104	◆	1	/	/	368992		Packing PE/T, complete (large)
105	◆	1		368993	/	--	Packing PE/L, complete (large)
22	◆ ★	2	368522	/	/	--	Sealing collar TG (large)
	◆ ★	2	/	/	368900		Sealing collar T (large)
	◆	2	/	368922	/	--	Sealing collar L (large)
23	◆ ★	3	368523			--	Sealing collar PE (large)
25	◆ ★	2	368525				O-ring
27	◆ ★	1	368527				O-ring
28	◆ ★	1	368528				O-ring
40	◆ ★	1	9998670			2366668	Wave spring (small)
41	◆ ★	1	9998671			2366673	Wave spring (large)
42	◆ ★	1	9943082			9943103	Ball (large)
43	◆ ★	1	9941512			9943017	Ball (small)
44	◆ ★	1	9974092				O-ring
46	◆ ★	1	9974107				O-ring
50		3	9907124				Hexagon screw
57	●	1	369926			/	Ball guide for high-viscosity products
60		1	9998808				Mobilux® EP 2 grease
61		1	9992609				Anti-seize paste tube
62		1	9992616				Molykote® DX grease
70		1	2329922			2370580	Fitting SF-MM-G3/8"-M24x1.5-PN530-SSt
71		1	2329898			2367066	Sealing sleeve
		1	368990	/	/	/	Service set PE/TG
		1	/	/	368994	/	Service set PE/T
			/	/	/	2371972	Service set PE/T TC 1.4404
		1	/	2342071	/	/	Service set PE/L
111	●	1	2331585			/	Valve seat set 70, stainless steel*

◆ = Wearing parts

★ = Included in the service set (For more parts, see Chapter [14.4.1.](#))

● = Special accessories

14.5.3 FLUID SECTIONS 110 CM³



Pos	K	Stk	PE/TG	PE/L	PE/T	Designation
			Order No.	Order No.	Order No.	
1		1	2329654	2329658	2329656	Fluid section
2		1		368434		Pipe
3		1		368435		Cylinder
4		1		2327888		Inlet housing 150

Pos	K	Stk	PE/TG	PE/L	PE/T	Designation
			Order No.	Order No.	Order No.	
5	◆	1		368433		Piston
6		1		367506		Valve screw
7	◆ ★	1		368507		Ball guide, inlet
8		1		368551		Connecting flange
9	◆	1		368509		Valve seat, inlet
10	◆	1		367510		Valve seat, outlet
11		1		368561		Snap ring flange
12		2		368512		Snap ring half
13		1		368513		Securing ring
16		1		368428		Support ring
17		1		368425		Pressure ring
18		1		368430		Support ring
19		1		368432		Pressure ring
100	◆	1	368253	/	/	Packing PE/TG, complete (small)
101	◆	1	/	/	368297	Packing PE/T, complete (small)
102	◆	1	/	368295	/	Packing PE/L, complete (small)
20	◆ ★	2	368426	/	/	Sealing collar TG (small)
20	◆ ★	2	/	/	368436	Sealing collar T (small)
20	◆ ★	2	/	368437	/	Sealing collar L (small)
21	◆ ★	3		368427		Sealing collar PE (small)
103	◆	1	368299	/	/	Packing PE/TG, complete (large)
104	◆	1	/	/	368296	Packing PE/T, complete (large)
105	◆	1	/	368294	/	Packing PE/L, complete (large)
22	◆ ★	2	368429	/	/	Sealing collar TG (large)
22	◆ ★	2	/	/	368438	Sealing collar T (large)
22	◆ ★	2	/	368439	/	Sealing collar L (large)
23	◆ ★	3		368431		Sealing collar PE (large)
25	◆ ★	2		368525		O-ring
27	◆ ★	1		368527		O-ring
28	◆ ★	1		367528		O-ring
40	◆ ★	1		9998670		Wave spring (small)
41	◆ ★	1		9998671		Wave spring (large)
42	◆ ★	1		9943082		Ball (large)
43	◆ ★	1		9941518		Ball (small)
44	◆ ★	1		9974092		O-ring
46	◆ ★	1		9974107		O-ring
50		3		9907142		Hexagon screw
51		3		9925011		Washer
57	●	1		369926		Ball guide for high-viscosity products
60		1		9998808		Mobilux® EP 2 grease
61		1		9992609		Anti-seize paste tube
62		1		9992616		Molykote® DX grease
106		1		2329922		Fitting SF-MM-G3/8"-M24x1.5-PN530-SSt
107		1		2329898		Sealing sleeve
		1	368997	/	/	Service set PE/TG
		1	/	/	2304930	Service set PE/T
		1	/	2319924	/	Service set PE/L

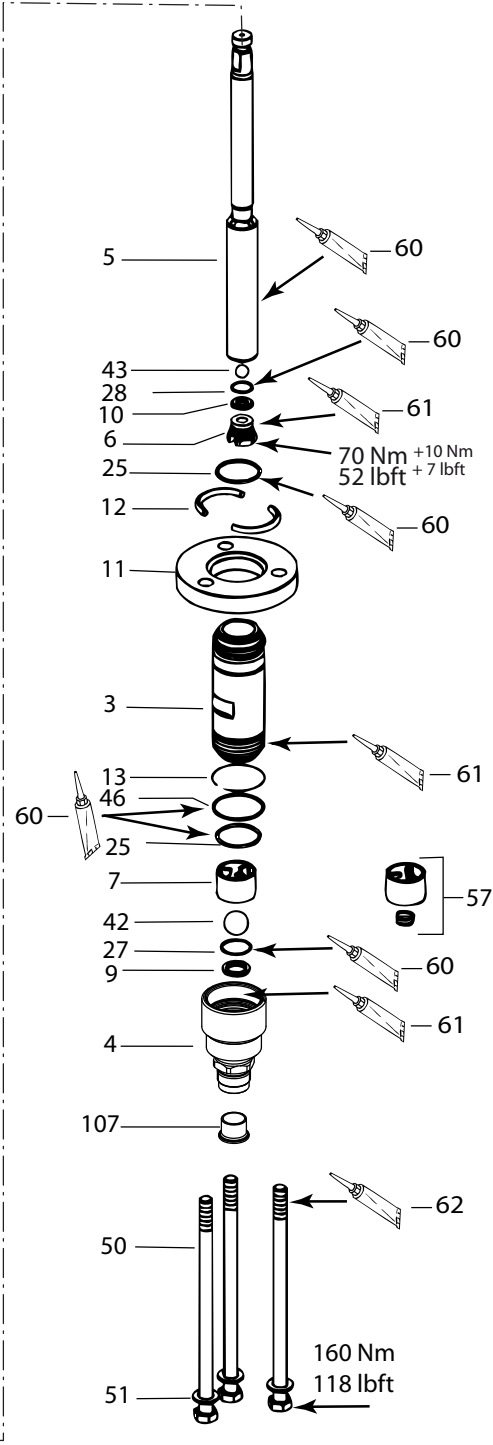
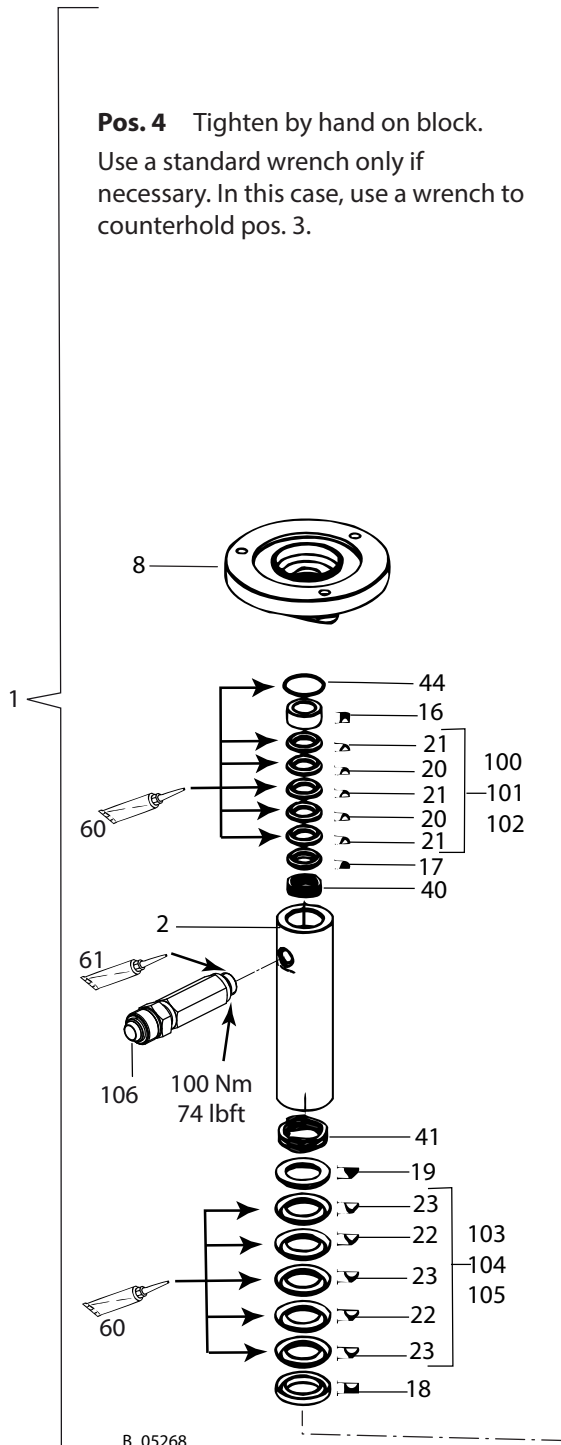
◆ = Wearing parts

★ = Included in the service set (For more parts, see Chapter [14.5.1](#).)

● = Special accessories

14.5.4 FLUID SECTIONS 150 CM³

Pos. 4 Tighten by hand on block.
Use a standard wrench only if necessary. In this case, use a wrench to counterhold pos. 3.



B_05268

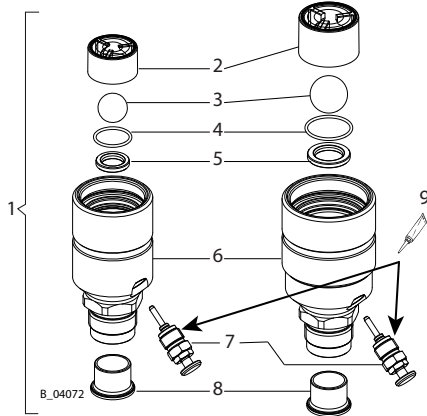
Pos	K	Stk	PE/TG	PE/L	PE/T	Designation
1		1	2329650	2329664	2329652	Fluid section
2		1		368552		Pipe
3		1		368553		Cylinder
4		1		2327888		Inlet housing 150
5	◆	1		368555		Piston
6		1		368506		Valve screw
7	◆ ★	1		368507		Ball guide, inlet
8		1		368551		Connecting flange
9	◆	1		368509		Valve seat, inlet
10	◆	1		368510		Valve seat, outlet
11		1		368561		Snap ring flange
12		2		368512		Snap ring half
13		1		368513		Securing ring
16		1		368516		Support ring
17		1		367519		Pressure ring
18		1		368518		Support ring
19		1		368519		Pressure ring
100	◆	1	367991	/	/	Packing PE/TG, complete (small)
101	◆	1	/	/	367992	Packing PE/T, complete (small)
102	◆	1	/	367993	/	Packing PE/L, complete (small)
20	◆ ★	2	367522	/	/	Sealing collar TG (small)
	◆ ★	2	/	/	367900	Sealing collar T (small)
	◆	2	/	367922	/	Sealing collar L (small)
21	◆ ★	3		367523		Sealing collar PE (small)
103	◆	1	368991	/	/	Packing PE/TG, complete (large)
104	◆	1	/	/	368992	Packing PE/T, complete (large)
105	◆	1	/	368993	/	Packing PE/L, complete (large)
22	◆ ★	2	368522	/	/	Sealing collar TG (large)
	◆ ★	2	/	/	368900	Sealing collar T (large)
	◆	2	/	368922	/	Sealing collar L (large)
23	◆ ★	3		368523		Sealing collar PE (large)
25	◆ ★	2		368525		O-ring
27	◆ ★	1		368527		O-ring
28	◆ ★	1		368528		O-ring
40	◆ ★	1		9998670		Wave spring (small)
41	◆ ★	1		9998671		Wave spring (large)
42	◆ ★	1		9943082		Ball (large)
43	◆ ★	1		9941512		Ball (small)
44	◆ ★	1		9974092		O-ring
46	◆ ★	1		9974107		O-ring
50		3		9907142		Hexagon screw
51		3		9925011		Washer
57	●	1		369926		Ball guide for high-viscosity products
60		1		9998808		Mobilux® EP 2 grease
61		1		9992609		Anti-seize paste tube
62		1		9992616		Molykote® DX grease
106		1		2329922		Fitting SF-MM-G3/8"-M24x1.5-PN530-SSt
107		1		2329898		Sealing sleeve
		1	368990	/	/	Service set PE/TG
		1	/	/	368994	Service set PE/T
		1	/	2342071	/	Service set PE/L

◆ = Wearing parts

★ = Included in the service set (For more parts, see Chapter [14.4.2.](#))

● = Special accessories

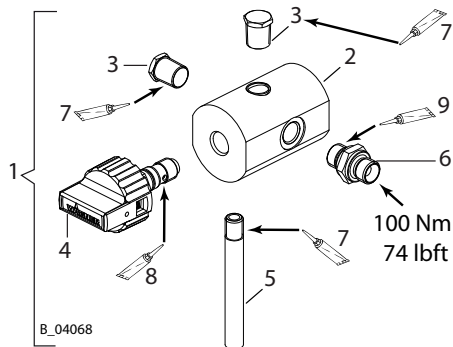
14.6 INLET VALVE WITH VALVE DEPRESSOR



Pos	K	Stk	Fluid section 40 cm3	Fluid section 70 cm3	Designation
			Order No.	Order No.	
1		1	2329689	2329688	Inlet valve with valve depressor
2	◆	1	367507	368507	Ball guide, inlet
3	◆	1	9941513	9943082	Ball
4	◆	1	367527	368527	O-ring
5	◆	1	367509	368509	Valve seat, inlet
6		1	2329412	2329413	Inlet housing
7		1	368037		Valve tappet, complete
8		1	2329898		Sealing sleeve
9		1	9992528		Loctite® 270

◆ = Wearing parts

14.7 RELIEF COMBINATION 270 BAR



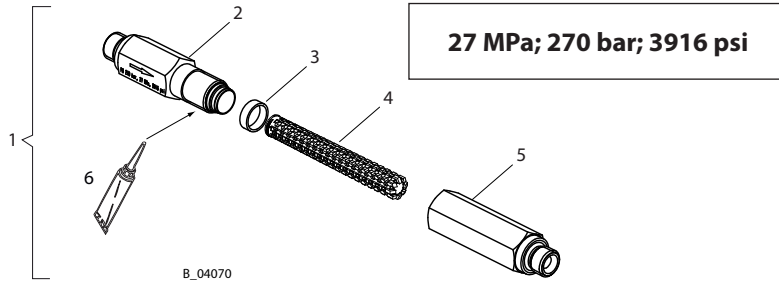
27 MPa; 270 bar; 3916 psi

Pos	K	Stk	Order no.	Designation
1		1	2329023	Relief combination, 270 bar
2		1	2324549	Relief housing
3		2	2323718	Hexagon plug
4	◆	1	169248	Relief valve, complete
	●	1	2356467	Ball valve set (option)
5		1	2324552	Outlet pipe
6		1	3204611	Fitting DF-MM-G1/4"-G1/4"-PN530-SSt
7		1	9992831	Loctite® 542, 50 ml; 50cc
8		1	9992616	Molykote® DX grease
9		1	9992609	Anti-seize paste tube

◆ = Wearing parts

● = Not part of the standard equipment but available as a special accessory.

14.8 STRAIGHT INLINE FILTER, 270 BAR

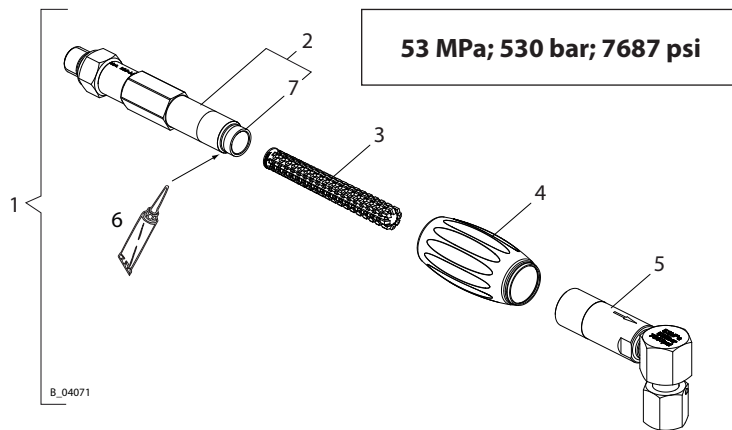


Pos	K	Stk	Order no.	Designation
1		1	2324558	Inline filter DN6-PN270-G1/4"-SSt
2		1	2324550	Filter inlet housing
3	◆	1	128389	Seal
4	◆ ●	1	2315723	* Filter insert, red (fine), 200 mesh per inch – 10 pieces
	◆ ●	1	2315724	* Filter insert, blue (middle), 150 mesh per inch – 10 pieces
	◆ ●	1	2315725	* Filter insert, yellow (middle), 100 mesh per inch – 10 pieces
	◆ ●	1	2365429	* Filter insert, green (coarse), 30 mesh per inch – 10 pieces
	◆ ●	1	2315726	* Filter insert, white (coarse), 50 mesh per inch – 10 pieces
5		1	2324551	Filter outlet housing
6		1	9992609	Anti-seize paste tube

◆ = Wearing parts

● = Not part of the standard equipment but available as a special accessory.

14.9 ANGLED INLINE FILTER, 530 BAR



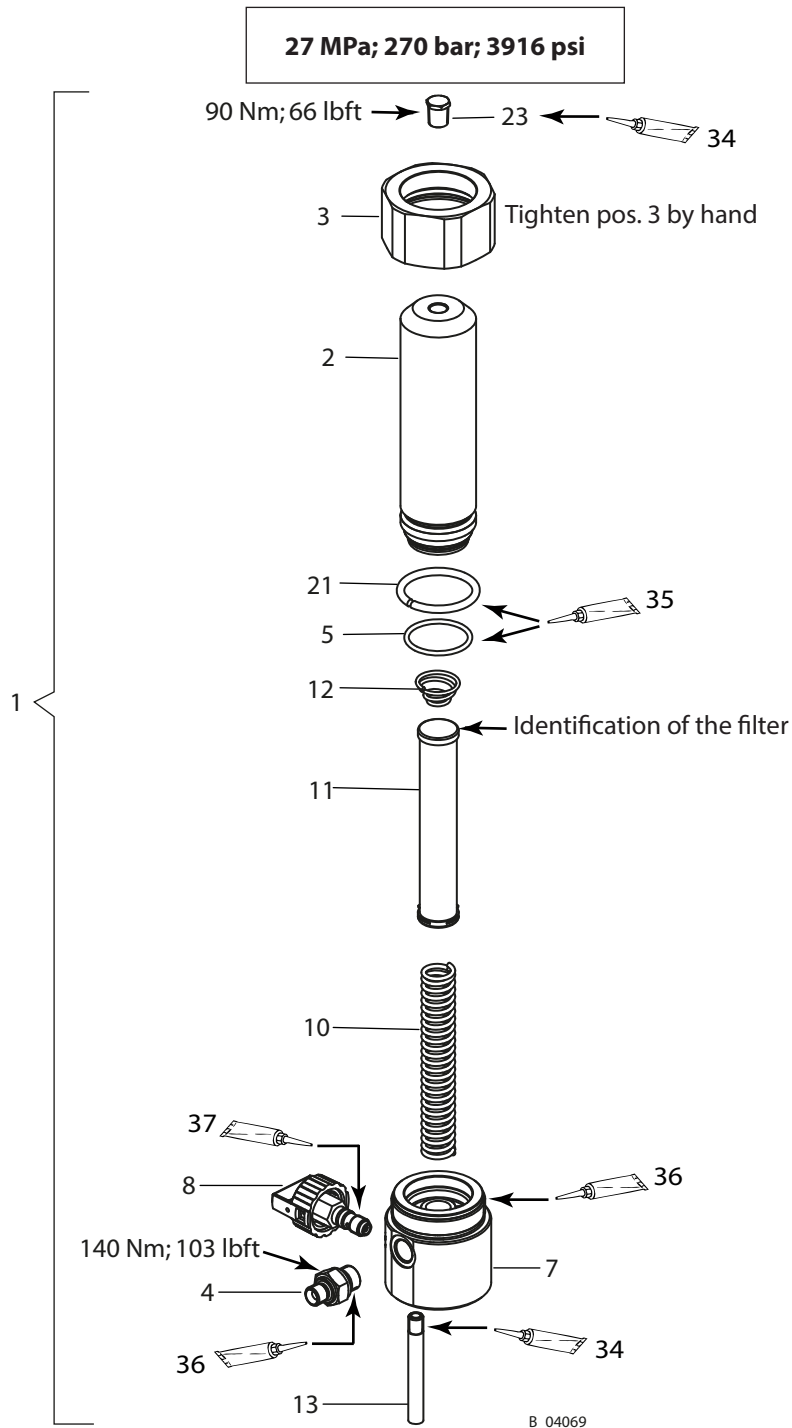
Pos	K	Stk	Order no.	Designation
1		1	2329026	Inline filter HL DN6-PN530-G1/4"-SSt
2		1	2326045	Filter inlet housing, pre-assembled
3	◆ ●	1	2315723	* Filter insert, red (fine), 200 mesh per inch – 10 pieces
	◆ ●	1	2315724	* Filter insert, blue (middle), 150 mesh per inch – 10 pieces
	◆ ●	1	2315725	* Filter insert, yellow (middle), 100 mesh per inch – 10 pieces
	◆ ●	1	2365429	* Filter insert, green (coarse), 30 mesh per inch – 10 pieces
	◆ ●	1	2315726	* Filter insert, white (coarse), 50 mesh per inch – 10 pieces
4		1	2311491	Turning handle
5		1	2325950	Filter outlet housing 90°, pre-assembled
6		1	9992609	Anti-seize paste tube
7	◆	1	128389	Seal

◆ = Wearing parts

● = Not part of the standard equipment but available as a special accessory.



14.10 HIGH-PRESSURE FILTER, 270 BAR



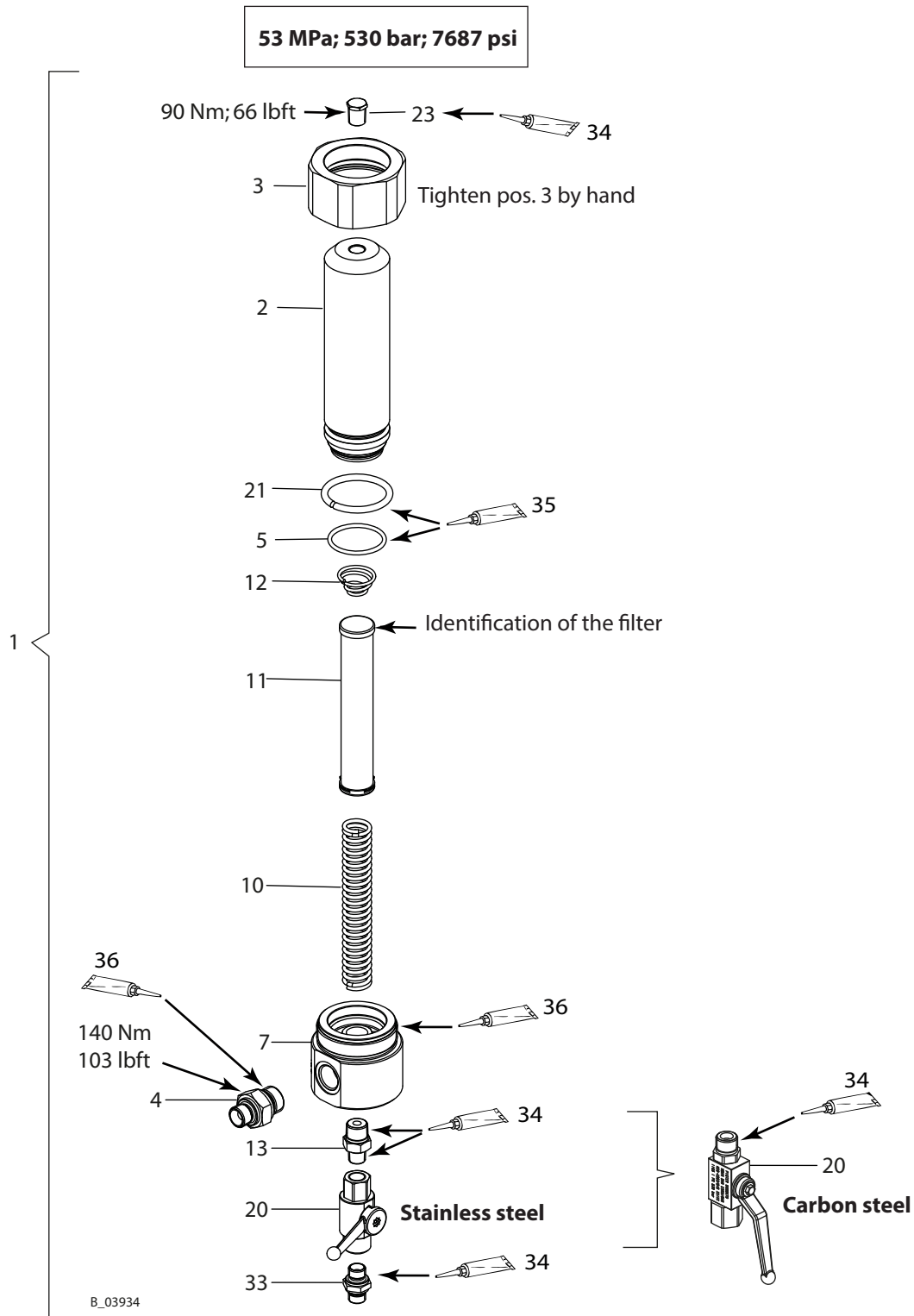
Pos	K	Stk	Order no.	Designation
1		1	2329024	HP filter DN10-PN270 SSt, complete
2		1	2324542	Filter housing
3		1	2324543	Union nut
4		1	2325826	Reducing double fitting with 2x60°
5	◆	1	9955863	O-ring
7		1	2324544	Distribution housing
8	◆	1	169248	Relief valve
	●	1	2356467	Ball valve set (option)
10		1	9894245	Filter support
11		1	--	Filter cartridge *
	◆ ●		295721	* Filter sieve, 200 mesh per inch (fine)
	◆		3514068	* Filter sieve, 100 mesh per inch (medium), mesh width 0.16 mm
	◆ ●		3514069	* Filter sieve, 50 mesh per inch (rough)
	◆ ●		291564	* Filter sieve, 20 mesh per inch (rough)
12	◆	1	3514058	Cone spring
13		1	2324552	Outlet pipe
21		1	2325562	Pressure ring d45
23		1	2323718	Hexagon plug
34		1	9992831	Loctite® 542 50 ml; 50 cc
35		1	9998808	Mobilux® EP2 grease
36		1	9992609	Anti-seize paste tube
37		1	9992616	Molykote® DX grease

◆ = Wearing parts

● = Not part of the standard equipment but available as a special accessory.



14.11 HIGH-PRESSURE FILTER, 530 BAR

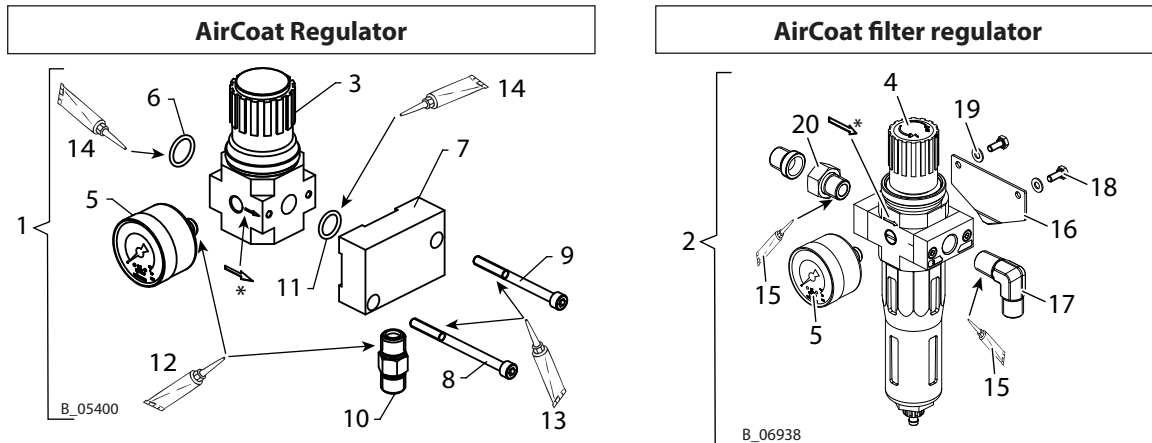


Pos	K	Stk	Stainless steel	Carbon steel	Designation
			Order No.	Order No.	
1		1	2329025	2335334	HP filter DN12-PN530, complete
2		1	2324542		Filter housing
3		1	2324543		Union nut
4		1	2330780		Fitting DF-MM-G1/2-G3/8-PN530-SSt
5	◆	1	9955863		O-ring
7		1	2324670		Distribution housing for ball valve
10		1	9894245		Filter support
11		1			Filter cartridge *
	◆ ●		295721		* Filter sieve, 200 mesh per inch (fine)
	◆		3514068		* Filter sieve, 100 mesh per inch (medium), mesh width 0.16 mm
	◆ ●		3514069		* Filter sieve, 50 mesh per inch (rough)
	◆ ●		291564		* Filter sieve, 20 mesh per inch (rough)
12	◆	1	3514058		Cone spring
13		1	2328291	/	Fitting-DF-MM-R3/8-R1/4-PN530-SSt
20	◆	1	2330156	9998679	Ball valve
21		1	2325562		Pressure ring d45
23		1	2323718		Hexagon plug
33		1	3204611	2325826	Double connector
34		1	9992831		Loctite® 542 50 ml; 50 cc
35		1	9998808		Mobilux® EP2 grease
36		1	9992609		Anti-seize paste tube

◆ = Wearing parts

● = Not part of the standard equipment but available as a special accessory.

14.12 AIRCOAT REGULATOR AND AIRCOAT FILTER REGULATOR



Pos 3 or 4:

* Observe the flow direction (direction of arrow on the housing)

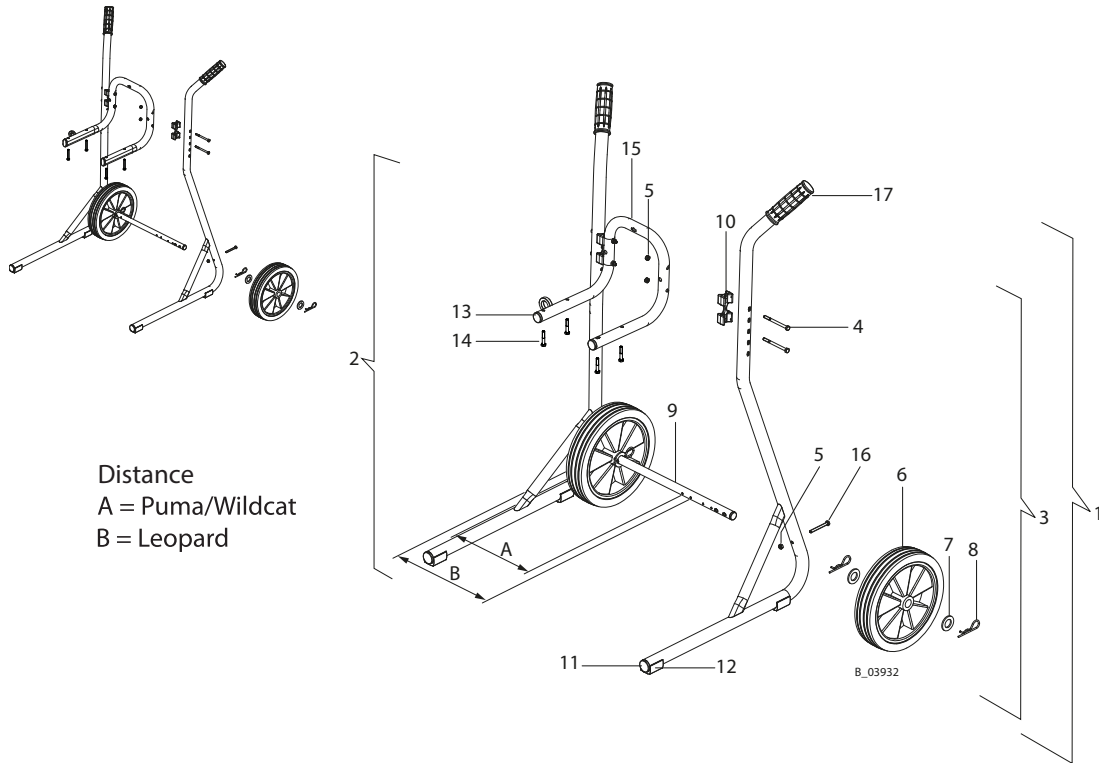
Pos 5:

Screw in the pressure gauge only until the white sealing ring is completely inside the filter control valve. Thereafter continue turning the pressure gauge only to align the display scale.

Pos	K	Stk	AirCoat Regulator	AirCoat filter regulator	Designation
			Order No.	Order No.	
1		1	2328611	/	AirCoat regulator set
2		1	/	2382997	AirCoat filter regulator set
3	◆	1	2309972	/	Pressure regulator LR-1/4-D-O-I-Mini
4	◆	1	/	2331950	Filter control valve (manual drain)
			/	2360259	Option: filter pan (automatic drain)
5	◆	1	9998677		Pressure gauge, 0-10 bar RF40 (d40)
6	◆	1	9974166	/	O-ring
7		1	2325527	/	Holding plate
8		1	9906021	/	Hexagon socket cylinder head screw
9		1	9900320	/	Hexagon socket cylinder head screw
10		1	9994627	/	Double fitting R1/4-R1/4
11	◆	1	9971313	/	O-ring
12		1	9992831	/	Loctite® 542
13		1	9992616	/	Molykote® DX grease
14		1	9998808	/	Mobilux® EP 2 grease
15		1	/	9992528	Loctite® 270
16		1	/	2366466	Contact plate
17		1	/	2389277	Fitting EF-MM-G1/4-R1/4-530 bar
18		2	/	9900152	Hexagon screw without shaft
19		3	/	9920104	Washer
20		1	/	9998719	Detachable double fitting

◆ = Wearing parts

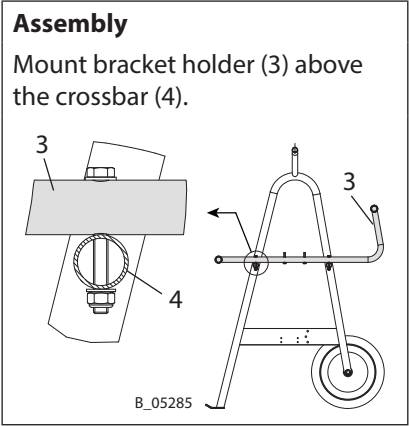
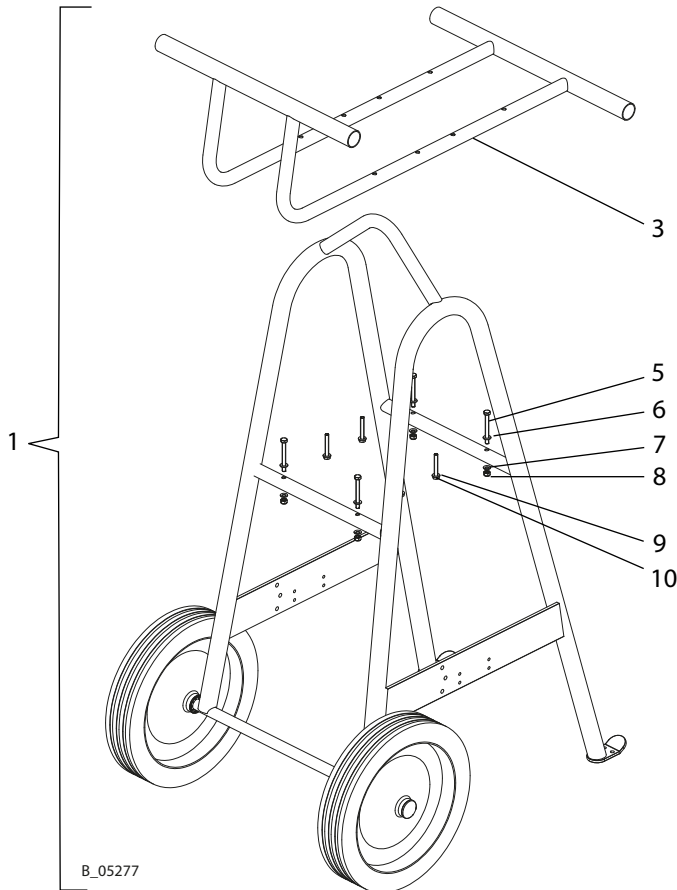
14.13 TROLLEY FOR WILDCAT, PUMA AND LEOPARD



Pos	K	Stk	Wildcat	Puma	Leopard	Designation
			Order No.		Order No.	
1		1	2325901		2325916	Trolley, complete
2		1	--			Frame, left, 4"-6" (welded)
3		1	--			Frame, right, 4"-6" (welded)
4		4	9907140			Hexagon screw DIN931 M6x75
5		6	9910204			Self-locking hexagon nut, M6
6	◆	2	2304440			Wheel, D250
7		4	340372			Washer
8		4	9995302			Cotter pin
9		1	--			Wheel axle, 4"-6"
10	◆	2	367943			Connecting part, 4"-6"
11		2	--			Tube plug, ribbed
12		2	--			Saddle feet for round tubes
13		2	--			Plug
14		4	9900218		9900126	Hexagon screw
15		1	2332143		2332145	Wall mount
16		2	3061695			Hexagon screw without shaft, M6x55
17	◆	2	9998747			Handle

◆ = Wearing parts

14.14 TROLLEY FOR LEOPARD 48-110 AND JAGUAR



Pos	K	Stk	Leopard 48-110 (6")	Jaguar 75-150 (9")	Designation
			Order No.	Order No.	
1		1	2339705		PC heavy duty trolley
3		1	--		Bracket holder
5		4	9900246		Hexagon screw
6		4	9920102		Washer, A8.4
7		4	3155404		Contact washer, M8
8		4	9910208		Self-locking hexagon nut, M8
9		4	9925031	9920102	Washer, A6.4 or A8.4
10		4	9900126	9900130	Hexagon screw

15 EU DECLARATION OF CONFORMITY

Herewith we declare that the supplied version of pneumatic pumps and their spraypacks:

Wildcat	Puma		Leopard		Jaguar
10-70	28-40	21-110	35-70	48-110	75-150
18-40	15-70	15-150	35-150	/	/

complies with the following guidelines:

2006/42/EC	2014/34/EU
------------	------------

Applied standards, in particular:

DIN EN ISO 12100: 2010	DIN EN ISO 13732-1: 2008	EN ISO 80079-36:2016
DIN EN 809: 1998+A1: 2009+AC: 2010	DIN EN 14462:2015	EN ISO 80079-37:2016
DIN EN ISO 4413: 2010	DIN EN 12621: 2006+A1: 2010	EN ISO/IEC 80079-34:2011
DIN EN ISO 4414: 2010	DIN EN 1127-1: 2011	

Applied national technical standards and specifications, in particular:

DGUV regulation 100-500 (Chapter 2.29 and 2.36)	TRGS 727
---	----------

Identification:



II 2 G Ex h IIB T3/T4 Gb X

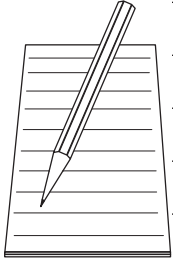
T3: without dry running protection.

T4: with dry running protection.

EU Declaration of Conformity

The EU Declaration of Conformity is enclosed with this product. If needed, further copies can be ordered through your WAGNER dealer by specifying the product name and serial number.

Order number: 2302304



A series of horizontal lines for writing, starting from the top of the page and extending down to the bottom. The lines are evenly spaced and cover most of the width of the page.

WAGNER



Document No. 11145601
Version D

Order No. 2333538
Edition 08/2018

Germany

J. Wagner GmbH
Otto-Lilienthal-Str. 18
Postfach 1120

88677

Markdorf

Phone +49/ (0)7544 / 5050
Telefax +49/ (0)7544 / 505200
E-Mail ts-liquid@wagner-group.com

Switzerland

Wagner International AG
Industriestrasse 22

9450

Altstätten

Phone +41/ (0)71 / 757 2211
Telefax +41/ (0)71 / 757 2222

More contact addresses:

www.wagner-group.com

Subject to changes without notice