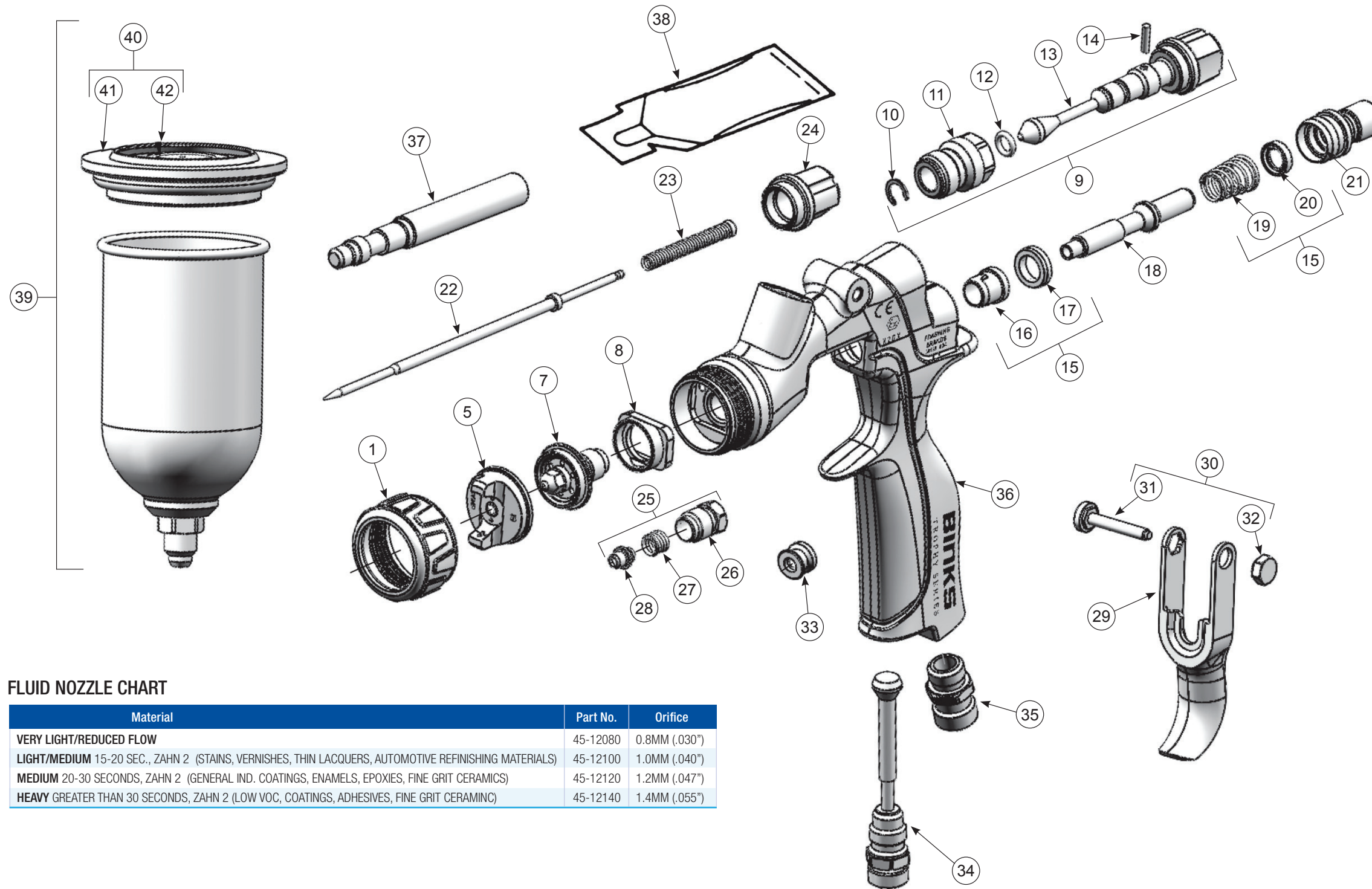


Binks Trophy Gravity Touch Up Spray Gun



FLUID NOZZLE CHART

Material	Part No.	Orifice
VERY LIGHT/REDUCED FLOW	45-12080	0.8MM (.030")
LIGHT/MEDIUM 15-20 SEC., ZAHN 2 (STAINS, VERNISHES, THIN LACQUERS, AUTOMOTIVE REFINISHING MATERIALS)	45-12100	1.0MM (.040")
MEDIUM 20-30 SECONDS, ZAHN 2 (GENERAL IND. COATINGS, ENAMELS, EPOXIES, FINE GRIT CERAMICS)	45-12120	1.2MM (.047")
HEAVY GREATER THAN 30 SECONDS, ZAHN 2 (LOW VOC, COATINGS, ADHESIVES, FINE GRIT CERAMIC)	45-12140	1.4MM (.055")

Item No.	Part No.	Description
1	54-6211	AIR CAP RETAINING RING ASSEMBLY
5	SEE AIR CAP CHART	AIR CAP
7	SEE NOZZLE CHART	FLUID NOZZLE
8	54-6215-K5	BAFFLE/SEPARATOR (KIT OF 5)
9	54-6216	SIDE PORT VALVE ASSEMBLY
10	SOLD IN KIT 54-6216	RETAINING CLIP
11	SOLD IN KIT 54-6216	BODY BUSHING
12	SOLD IN KIT 54-6216	O-RING
13	SOLD IN KIT 54-6216	SIDE PORT STEM
14	SOLD IN KIT 54-6216	PIN
15	54-6131-K	AIR VALVE SERVICE KIT
16	SOLD IN KIT 54-6131-K	FRONT SEAL – AIR VALVE
17	SOLD IN KIT 54-6131-K	FRONT AIR VALVE SEAL
18	54-6220	AIR VALVE SPINDLE
19	SOLD IN KIT 54-6131-K	AIR VALVE SPRING
20	SOLD IN KIT 54-6131-K	REAR SEAL – AIR VALVE
21	SN-66	HOUSING
22	47-6851	NEEDLE – STAINLESS STEEL (STD.)
	47-6852	NEEDLE – PLASTIC TIP
23	54-6223-K	SPRING/PAD ASSEMBLY
24	54-6111	KNOB – NEEDLE ADJUSTING
25	54-6130-K	NEEDLE PACKING KIT
26	SOLD IN KIT 54-6130-K	NUT – PACKING
27	SOLD IN KIT 54-6130-K	SPRING FOR PACKING
28	SN-2-K3	NEEDLE PACKING
29	54-6218	TRIGGER
30	54-6228-K	TRIGGER SCREW NUT KIT
31	SOLD IN KIT 54-6228-K	TRIGGER SCREW
32	SOLD IN KIT 54-6228-K	TRIGGER NUT
33	54-3513	SPINDLE CAP
34	JJ-42	AIR ADJUSTING VALVE ASSEMBLY
35	JJ-30	FITTING – AIR INLET
36	NOT SOLD SEPARATELY	GUN BODY
37	SPN-7	TOOL – SEAL INSERTION
39	54-4458	4 OZ. GRAVITY CUP ASSEMBLY
40	54-4459	LID ASSEMBLY
41	NOT SOLD SEPARATELY	CUP LID
42	NOT SOLD SEPARATELY	CUP LID

AIR CAP CHART

Designation	Automization Technology	Part No.
A1	Round Spray	46-10020
B1	LVMP	46-10010
C1	HVLP	46-10000



North America 1.800.992.4657 marketing@carlisleleft.com
EMEA 44.0.1202.571111 marketing-uk@carlisleleft.com
China 86.21.33730108 mkt_cn@carlisleleft.com
Japan 81.45.785.6421 jp-rans-tokyosales@carlisleleft.com

