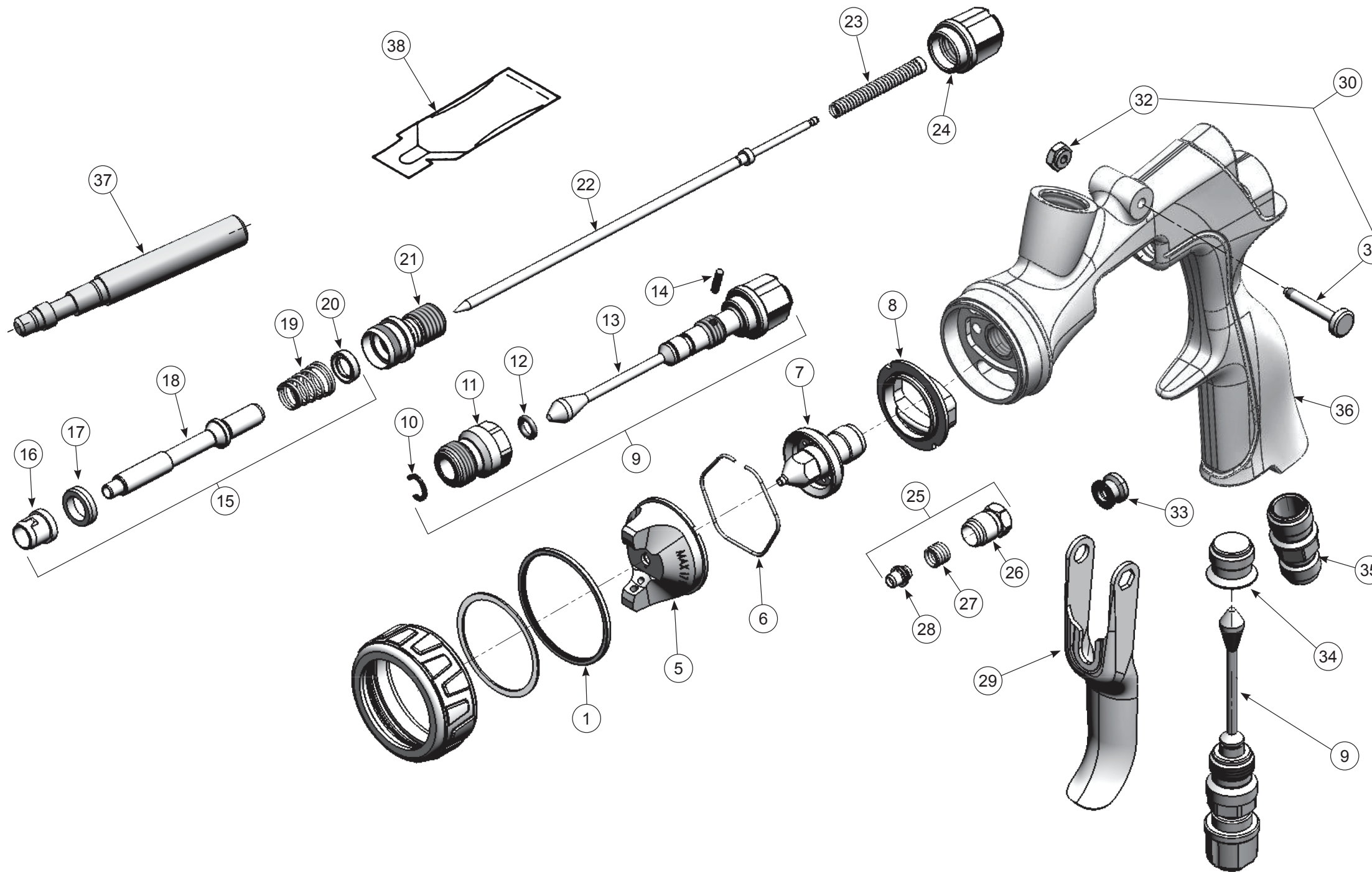


Binks Trophy Gravity Spray Gun



Item No.	Part No.	Description
1	54-6120	AIR CAP RETAINING RING ASSEMBLY
5	SEE AIR CAP CHART	AIR CAP
6	JGA-156-K10	SPRING-CLIP (KIT OF 10)
7	SEE NOZZLE CHART	FLUID NOZZLE
8	54-6102-K3	BAFFLE/SEPARATOR (KIT OF 3)
9	54-6122	SIDE PORT VALVE ASSEMBLY
10	SOLD IN KIT 54-6122	RETAINING CLIP
11	SOLD IN KIT 54-6122	BODY BUSHING
12	SOLD IN KIT 54-6122	O-RING
13	SOLD IN KIT 54-6122	SIDE PORT STEM
14	SOLD IN KIT 54-6122	PIN
15	54-6131-K	AIR VALVE SERVICE KIT
16	SOLD IN KIT 54-6131-K	FRONT SEAL – AIR VALVE
17	SOLD IN KIT 54-6131-K	FRONT AIR VALVE SEAL
18	54-6109	AIR VALVE SPINDLE
19	SOLD IN KIT 54-6131-K	AIR VALVE SPRING
20	SOLD IN KIT 54-6131-K	REAR SEAL – AIR VALVE
21	SN-66	HOUSING
22	47-6825	NEEDLE – STAINLESS STEEL (STD.)
23	54-6133-K3	SPRING/PAD ASSEMBLY (KIT OF 3)
24	54-6111	KNOB – NEEDLE ADJUSTING
25	54-6130-K	NEEDLE PACKING KIT (STANDARD)
26	SOLD IN KIT 54-6130-K	NUT – PACKING
27	SOLD IN KIT 54-6130-K	SPRING FOR PACKING
28	SN-2-K3	NEEDLE PACKING (STANDARD)
29	54-4360	TRIGGER
30	54-6132-K	TRIGGER SCREW NUT KIT
31	SOLD IN KIT 54-6132-K	TRIGGER SCREW
32	SOLD IN KIT 54-6132-K	TRIGGER NUT
33	54-3513	SPINDLE CAP
34	SN-11	PLUG
35	54-6112	FITTING – AIR INLET
36	NOT SOLD SEPARATELY	GUN BODY WITH FLUID INLET
37	SPN-7	TOOL – SEAL INSERTION

AIR CAP CHART & FLUID NOZZLE CHART

Air Cap	Atomization Technology	Part No.	Fluid Nozzle	Spray Pattern Range	Typical Coatings
12-C	CONVENTIONAL	46-6501	45-11050	4-12"	LACQUER, ENAMEL, TOP COAT, LOW VISCOSITY ADHESIVE
23-L	LVMP	46-6511	45-11050	4-12"	LACQUER, ENAMEL, TOP COAT, LOW VISCOSITY ADHESIVE
24-L	LVMP	46-6512	45-11050	2-6"	SMALL PATTERN APPLICATIONS OF STAIN, LACQUER, ENAMEL, ACRYLIC
32-H	HVLP	46-6518	45-11050	8-14"	LACQUER, ENAMEL, MULTI-COLOR, MULTI-SPEC, NON-STICK COATINGS, CUT-LATEX
16	ROUND	46-6505	45-11050	2-4"	LACQUER, ENAMEL



North America 1.800.992.4657 marketing@carlisleleft.com
EMEA 44.0.1202.571111 marketing-uk@carlisleleft.com
China 86.21.33730108 mkt_cn@carlisleleft.com
Japan 81.45.785.6421 jp-rans-tokyosales@carlisleleft.com

Carlisleleft.com

©2021 Carlisle Fluid Technologies, Inc. | Models and specifications subject to change without notice. All rights reserved. | Form No. 03-213-01

