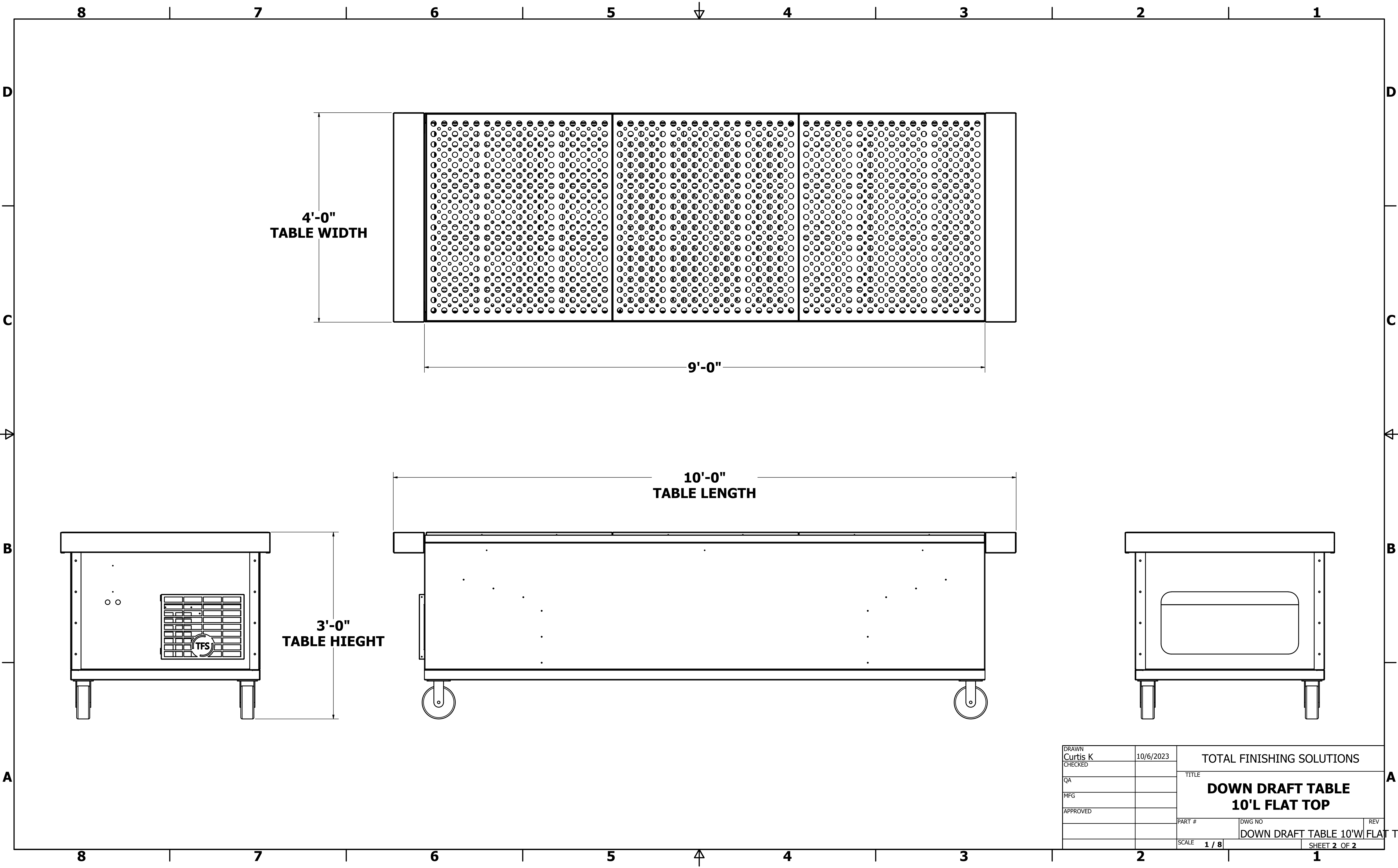


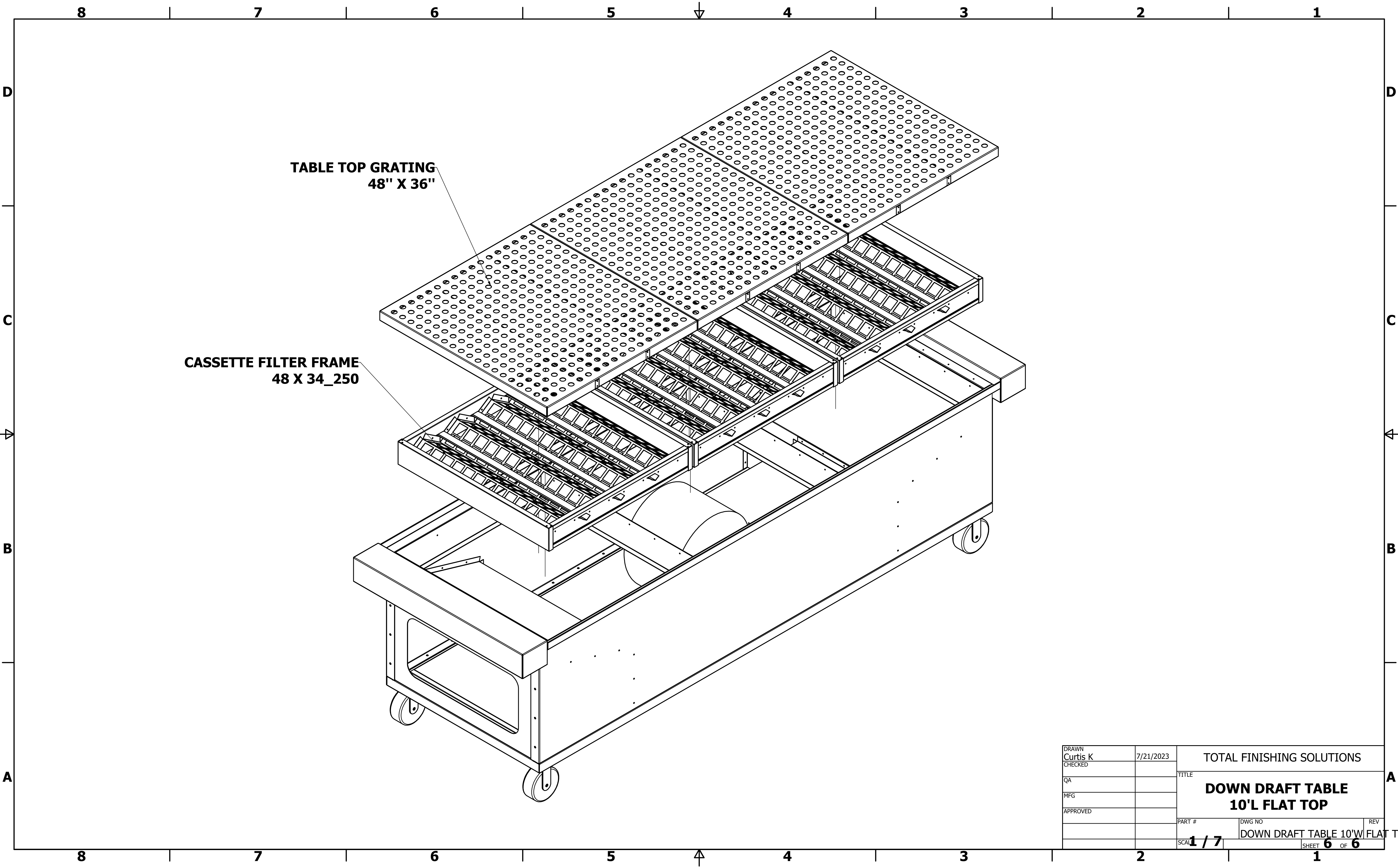
THIS DOCUMENT CONTAINS CONFIDENTIAL AND PROPRIETARY INFORMATION THAT CANNOT BE REPRODUCED OR DIVULGED, IN WHOLE OR IN PART, WITHOUT WRITTEN AUTHORIZATION FROM RGI SPRAY BOOTHS

DRAWN Curtis K	10/6/2023	TOTAL FINISHING SOLUTIONS	
CHECKED		TITLE	
QA		<b>DOWN DRAFT TABLE 10'L FLAT TOP</b>	
MFG		PART #	DWG NO
APPROVED			REV
		SCALE 1 / 6	SHEET 1 OF 2

FLAT TO



DRAWN Curtis K	10/6/2023	TOTAL FINISHING SOLUTIONS	
CHECKED		TITLE	
QA		<b>DOWN DRAFT TABLE 10'L FLAT TOP</b>	
MFG		PART #	DWG NO
APPROVED		DOWN DRAFT TABLE 10'W FLAT TOP	
		SCALE 1 / 8	SHEET 2 OF 2



**TABLE TOP GRATING  
48" X 36"**

**CASSETTE FILTER FRAME  
48 X 34\_250**

DRAWN Curtis K	7/21/2023	TOTAL FINISHING SOLUTIONS	
CHECKED		TITLE	
QA		<b>DOWN DRAFT TABLE 10'L FLAT TOP</b>	
MFG			
APPROVED		PART #	DWG NO
		SCAL <b>1 / 7</b>	DOWN DRAFT TABLE 10'W FLAT TO
		SHEET <b>6</b> OF <b>6</b>	REV