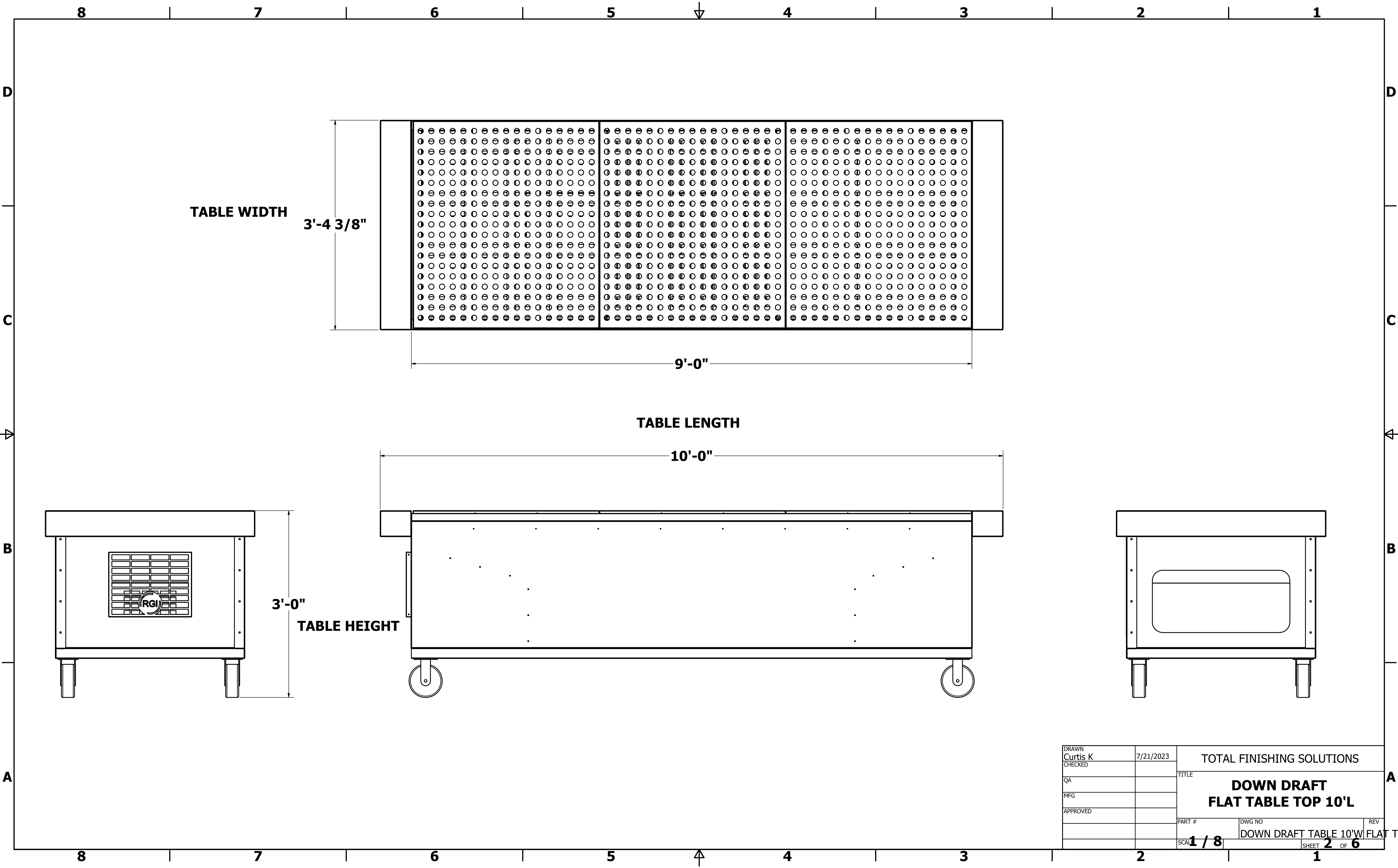


THIS DOCUMENT CONTAINS CONFIDENTIAL AND PROPRIETARY INFORMATION THAT CANNOT BE REPRODUCED OR DIVULGED, IN WHOLE OR IN PART, WITHOUT WRITTEN AUTHORIZATION FROM RGI SPRAY BOOTHS

DRAWN Curtis K	7/21/2023	TOTAL FINISSING SOLUTION	
CHECKED		TITLE	
QA		<b>DOWN DRAFT FLAT TABLE TOP 10'L</b>	
MFG			
APPROVED		PART #	DWG NO
		SCALE <b>1 / 7</b>	REV
		SHEET <b>1</b> OF <b>6</b>	FLAT TO



**TABLE WIDTH**

**3'-4 3/8"**

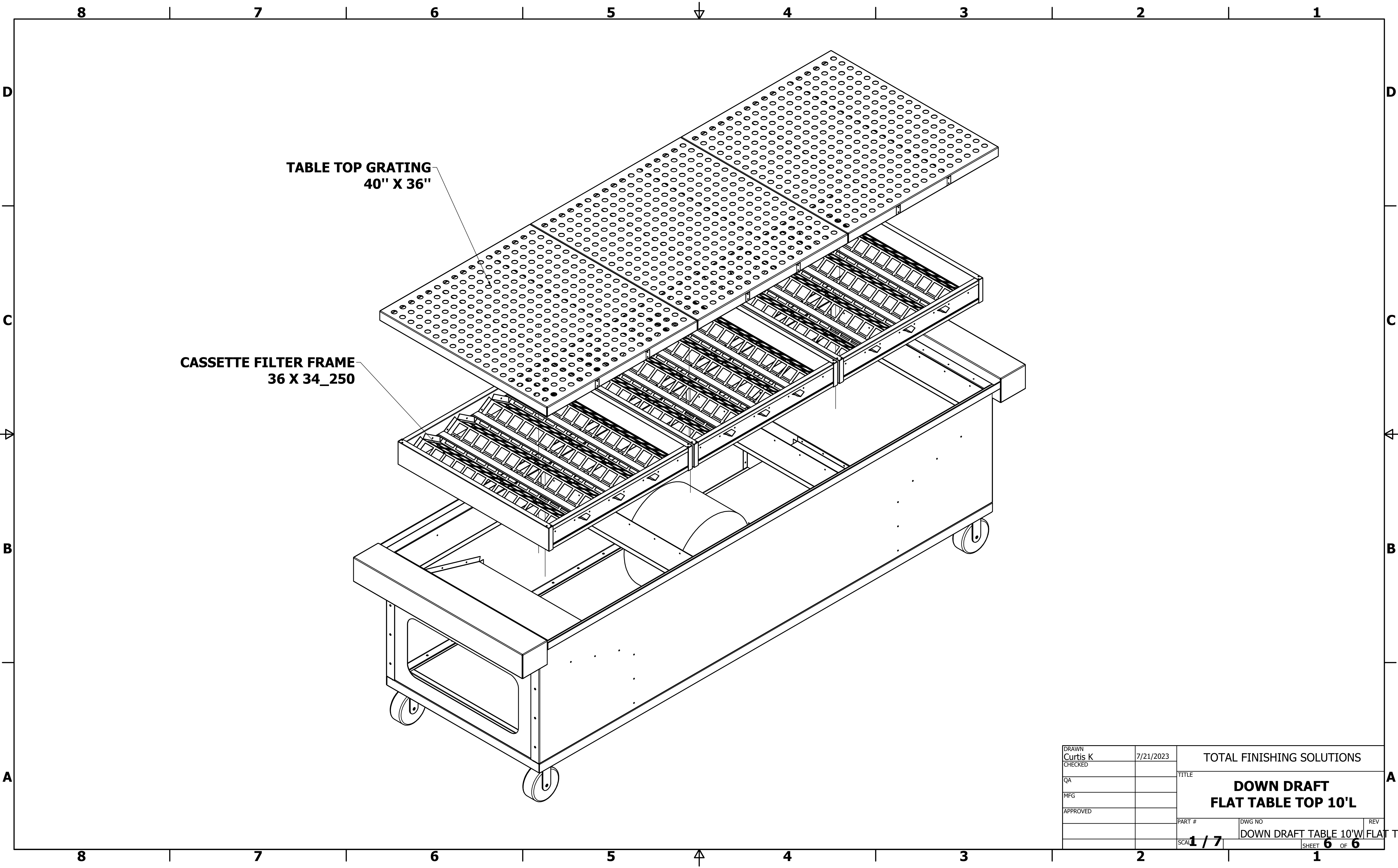
**TABLE LENGTH**

**10'-0"**

**TABLE HEIGHT**

**3'-0"**

DRAWN Curtis K	7/21/2023	TOTAL FINISHING SOLUTIONS	
CHECKED		TITLE	
QA		<b>DOWN DRAFT FLAT TABLE TOP 10'L</b>	
MFG			
APPROVED		PART #	DWG NO
		SCALE <b>1 / 8"</b>	SHEET <b>2</b> OF <b>6</b>



DRAWN Curtis K	7/21/2023	TOTAL FINISHING SOLUTIONS	
CHECKED		TITLE	
QA		<b>DOWN DRAFT FLAT TABLE TOP 10'L</b>	
MFG			
APPROVED		PART #	DWG NO
		SCALE <b>1 / 7</b>	REV
		SHEET <b>6</b> OF <b>6</b>	FLAT TO