

TOPFINISH DD10 Double Diaphragm Pump

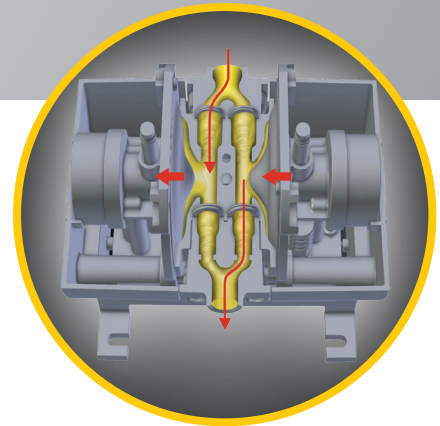
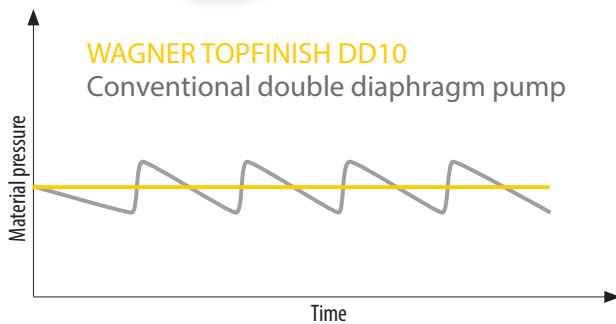
Up to 70% savings in finishing solvent and waste with the WAGNER TOPFINISH DD10
– The first pulsation free material feeding pump for airspray applications.



The **WAGNER TOPFINISH DD10** is the first air-operated double diaphragm pump which guarantees high-quality surfaces without the use of a material pressure regulator.

In addition, the pump reduces the process costs significantly. It is, amongst other applications, ideally suitable for the coating of furniture or plastic components of transportation vehicles.

- Change of diaphragm in less than 15 minutes.
- Perfectly suited for supplying material to manual or automatic Airspray guns and 2-component systems.
- Revolutionary concept for pulsation-free material flow without material pressure regulator.



High Savings in Solvent & Material Waste

The optimized material flow with the small interior volume guarantees high savings when there is a change of paint or for cleaning.

Easy to Use & Time-Saving

Two precisely adjustable rotary regulators with pressure gauge for the pump pressure and atomization air.

Rapid Service

You only need four standard tools to meet all of the pump's service requirements – quick and easy.

Consistent Spray Pattern

The revolutionary pump concept guarantees absolutely pulsation-free working, thus ensuring best surfaces.

No Additional Costs

All wetted parts are made from stainless steel.
This means all materials can be processed with one pump.

Flexible Mounting

The pump can be installed in any conceivable position without restricting its function.

Technical data

Characteristics	Values
Pressure ratio	1:1
Operating air pressure	22 - 116 psi
Volumetric flow with free drainage	10l
Volumetric flow per double stroke	40 cc
Material input	G 1/2"
Material output	G 3/8"
Air output	G 1/4"
Material temperature	39 – 104° F
Material pH value	3.5 - 9
Parts in contact with media	Stainless steel 1.4301
Diaphragm material	PA 11
Dimensions	7.56 x 5.59 x 6.89 in (WxDxH w/o controller) 7.56 x 6.50 x 10.43 in (WxDxH with controller)
Weight	6 lbs w/o controller 9 lbs with controller

Accessories



Siphon Hoses
74-538 (5 gallon - 3/8")
74-520 (5 gallon - 1/2")
74-524 (55 gallon - 1/2")



2368434
All stainless steel circulation fitting with an inline filter installed.



2368788
5 liter hopper attachment. Designed for easy clean and refill.



2368427
All stainless steel inline filter for use with the TOPFINISH DD10 pumps.

Configurations



DD10-C5

Cart mounted DD10 with full stainless steel fluid passages. Spray packs are available.



DD10-P5

5 gallon pail mounted DD10 with full stainless steel fluid passages. Available with or without agitation.



2368652

DD10 with full stainless steel fluid passages. Mounting is available in any direction. Spray packs are available.



DD10-DR55

55 gallon pail mounted DD10 with full stainless steel fluid passages. Available with or without agitation.

WAGNER Systems Inc.
300 Airport Rd Unit 1
Elgin, IL 60123 USA
T 800.473.2524
F 630.503.2377

www.wagnersystemsinc.com