

**DESCRIPTION**

This gun is designed for spraying a variety of materials and is ideal for working with small compressors in workshops, homes, farms, schools, etc.

Gun is bleeder type, for use only with a pressure feed metal cup directly attached to it using and air pressure NOT OVER 40 PSI.

**CLEANING**

Unscrew cup (15) a little without removing it from gun. Hold a clean cloth over air nozzle (11). Pull trigger (6) and air pressure will force material back into cup.

Remove cup (15) from gun body. Empty material from cup and add a small quantity of suitable clean solvent. Replace cup on gun and spray in usual manner until clear solvent appears and gun is thoroughly clean.

Remove cup from gun body again and clean the gasket (13) of the cup lid. Loosen and remove the air cap (11) and clean it with a soft brush.

Use a brush with solvent for cleaning inside the cup lid. We recommend you clean your gun after each day's use. Wipe outside of gun with a solvent-soaked cloth.

**LUBRICATION**

At the end of each day's use, place a drop of spray gun lube (part no. SSL-10) at trigger bearing pin (5) and on fluid needle packing (10). Never completely immerse gun in solvent. This may damage packings and destroy gun lubricants. Use proper tools (WR-103 wrench) when removing parts to avoid damaging threads.

**TECHNICAL SPECIFICATIONS**

---

|                    |                  |
|--------------------|------------------|
| Air Inlet Threads: | 1/4" NPS(M)      |
| Air Consumption:   | 6.8 cfm @ 40 psi |
|                    | 5.0 cfm @ 30 psi |
|                    | 3.6 cfm @ 20 psi |

---

|                             |        |
|-----------------------------|--------|
| Maximum Air Inlet Pressure: | 40 psi |
|-----------------------------|--------|

---



In this part sheet, the words **WARNING**, **CAUTION** and **NOTE** are used to emphasize important safety information as follows:

**⚠ WARNING**  
 Hazards or unsafe practices which could result in severe personal injury, death or substantial property damage.

**⚠ CAUTION**  
 Hazards or unsafe practices which could result in minor personal injury, product or property damage.

**NOTE**  
 Important installation, operation or maintenance information.

## ⚠ WARNING

**Read the following warnings before using this equipment.**



**READ THE MANUAL**  
 Before operating finishing equipment, read and understand all safety, operation and maintenance information provided in the operation manual.



**WEAR SAFETY GLASSES**  
 Failure to wear safety glasses with side shields could result in serious eye injury or blindness.



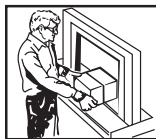
**DE-ENERGIZE, DEPRESSURIZE, DISCONNECT AND LOCK OUT ALL POWER SOURCES DURING MAINTENANCE**  
 Failure to De-energize, disconnect and lock out all power supplies before performing equipment maintenance could cause serious injury or death.



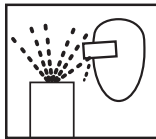
**OPERATOR TRAINING**  
 All personnel must be trained before operating finishing equipment.



**EQUIPMENT MISUSE HAZARD**  
 Equipment misuse can cause the equipment to rupture, malfunction, or start unexpectedly and result in serious injury.



**KEEP EQUIPMENT GUARDS IN PLACE**  
 Do not operate the equipment if the safety devices have been removed.



**PROJECTILE HAZARD**  
 You may be injured by venting liquids or gases that are released under pressure, or flying debris.



**PINCH POINT HAZARD**  
 Moving parts can crush and cut. Pinch points are basically any areas where there are moving parts.



**AUTOMATIC EQUIPMENT**  
 Automatic equipment may start suddenly without warning.



**INSPECT THE EQUIPMENT DAILY**  
 Inspect the equipment for worn or broken parts on a daily basis. Do not operate the equipment if you are uncertain about its condition.



**NEVER MODIFY THE EQUIPMENT**  
 Do not modify the equipment unless the manufacturer provides written approval.



**KNOW WHERE AND HOW TO SHUT OFF THE EQUIPMENT IN CASE OF AN EMERGENCY**



**PRESSURE RELIEF PROCEDURE**  
 Always follow the pressure relief procedure in the equipment instruction manual.



**NOISE HAZARD**  
 You may be injured by loud noise. Hearing protection may be required when using this equipment.



**STATIC CHARGE**  
 Fluid may develop a static charge that must be dissipated through proper grounding of the equipment, objects to be sprayed and all other electrically conductive objects in the dispensing area. Improper grounding or sparks can cause a hazardous condition and result in fire, explosion or electric shock and other serious injury.



**FIRE AND EXPLOSION HAZARD**  
 Never use 1,1,1-trichloroethane, methylene chloride, other halogenated hydrocarbon solvents or fluids containing such solvents in equipment with aluminum wetted parts. Such use could result in a serious chemical reaction, with the possibility of explosion. Consult your fluid suppliers to ensure that the fluids being used are compatible with aluminum parts.



**TOXIC FLUID & FUMES**  
 Hazardous fluid or toxic fumes can cause serious injury or death if splashed in the eyes or on the skin, inhaled, injected or swallowed. LEARN and KNOW the specific hazards of the fluids you are using.



**WEAR RESPIRATOR**  
 Toxic fumes can cause serious injury or death if inhaled. Wear a respirator as recommended by the fluid and solvent manufacturer's Material Safety Data Sheet.



**PROP 65 WARNING**  
 WARNING: This product contains chemicals known to the State of California to cause cancer and birth defects or other reproductive harm.

**IT IS THE RESPONSIBILITY OF THE EMPLOYER TO PROVIDE THIS INFORMATION TO THE OPERATOR OF THE EQUIPMENT.**

**FOR FURTHER SAFETY INFORMATION REGARDING BINKS AND DEVILBISS EQUIPMENT,  
 SEE THE GENERAL EQUIPMENT SAFETY BOOKLET (77-5300).**

**BINKS SV25 INTERNAL MIX SPRAY GUN**

**SPRAY TECHNIQUE**

The first requirement for a good resultant finish is the proper handling of the gun. The gun should be held perpendicular to the surface being covered and moved parallel with it. The stroke should be started before the trigger is pulled and the trigger should be released before the stroke is ended. This gives accurate control of the gun and fluid.

The distance between gun and surface should be 6 to 12 inches depending on fluid and atomizing pressure. The fluid deposited should always be even and wet. Lap each stroke over the preceding stroke to obtain a uniform finish.

**NOTE**

To reduce overspray and obtain maximum efficiency always spray with the lowest possible atomizing air pressure.

**GENERAL SPRAY INSTRUCTIONS**

To reduce overspray and obtain maximum efficiency, always spray with the lowest possible air pressure that produces an acceptable spray pattern.

Excessive atomizing air pressures can increase overspray, reduce transfer efficiency, and with some materials, result in poor finish quality from dry spray.

**SET-UP FOR SPRAYING**

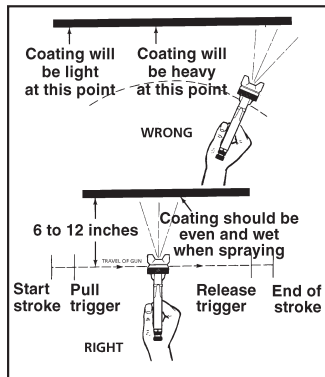
**Connecting Gun To Air Hose**

Air should be supplied by a suitable length of 5/16" diameter air hose fitted with a 1/4" NPS(f) connection at gun end. For hose lengths over 50', use 3/8" diameter hose.

**CAUTION**

Do not exceed 40 psi inlet pressure.

**OPERATING THE SV25 SPRAY GUN**



Generally use 15-20 psi air at gun inlet. Unusually heavy, difficult to atomize fluids may require up to 40 psi air at gun inlet.

**CONTROLLING THE FAN SPRAY**

The fan spray is controlled by means of the spray pattern valve. Turning this control clockwise until it is closed will give a round spray; turning it counter-clockwise will widen the spray into a fan shape. The fan spray can be turned anywhere through 360° by positioning the air nozzle relative to the gun. To accomplish this, loosen retaining ring, position nozzle, then tighten retaining ring.

**CAUTION**

All parts on a spray gun should be screwed in hand tight at first; this will avoid the possibility of cross threading the parts. If the parts cannot be turned by hand easily, make sure you have the correct parts, unscrew, realign, and try again. NEVER use undue force in mating parts.

**AIR NOZZLE, FLUID NOZZLE, FLUID NEEDLE**

1. All nozzles and needles are precision made. They should be handled with care.
2. Do not make any alterations in the gun. To do so could cause finishing difficulties.
3. To clean nozzles, soak them in solvent to dissolve any dried material, then blow them clean with air.
4. Do not probe any of the holes in the nozzles with metal instruments. If probing is necessary, use only a tool that is softer than brass.

**TROUBLESHOOTING**

**Faulty Spray**

A faulty spray pattern is often caused by improper cleaning resulting in dried materials around the fluid nozzle tip or in the air nozzle. Soak these parts in thinners to soften the dried material and remove with a brush or cloth.

**CAUTION**

Never use metal instruments to clean the air or fluid nozzles. These parts are carefully machined and any damage to them will cause faulty spray.

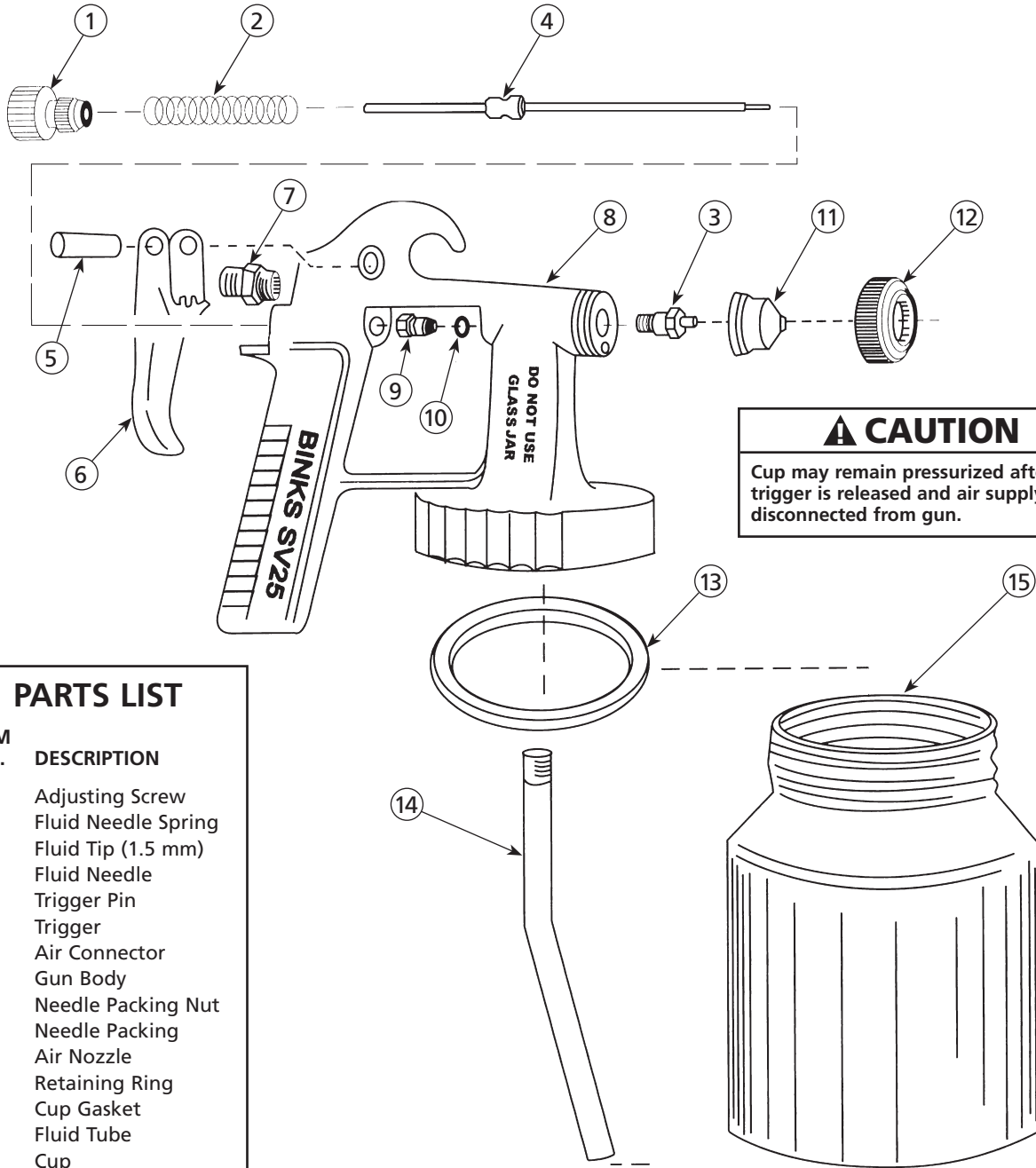
If either the air nozzle or fluid nozzle are damaged, spray pattern may be affected.

**Intermittent Spray**

If the spray flutters, it is caused by one of the following faults:

1. Insufficient fluids available. Check supply and replenish if necessary.
2. Insufficient fluid pressure from standard pressure pots.
3. Fluid tip not tightened sufficiently.

## BINKS SV25 INTERNAL MIX SPRAY GUN



### PARTS LIST

| ITEM NO. | DESCRIPTION         |
|----------|---------------------|
| 1        | Adjusting Screw     |
| 2        | Fluid Needle Spring |
| 3        | Fluid Tip (1.5 mm)  |
| 4        | Fluid Needle        |
| 5        | Trigger Pin         |
| 6        | Trigger             |
| 7        | Air Connector       |
| 8        | Gun Body            |
| 9        | Needle Packing Nut  |
| 10       | Needle Packing      |
| 11       | Air Nozzle          |
| 12       | Retaining Ring      |
| 13       | Cup Gasket          |
| 14       | Fluid Tube          |
| 15       | Cup                 |

### WARRANTY

This product is covered by Binks' 1 Year Limited Warranty.

**Binks Sales and Service: [www.binks.com](http://www.binks.com)**

# CET

DISTRIBUTED BY COATING EQUIPMENT TECHNOLOGY, INC.

**BINKS**

U.S.A./Canada Customer Service  
195 Internationale Blvd.  
Glendale Heights, IL 60139  
630-237-5000

Toll Free Customer Service  
and Technical Support  
800-992-4657

Toll Free Fax  
888-246-5732

77-2886R Revisions: Trademark updates;  
(P2) Added Prop 65 warning;  
(P4) Updated contact information.