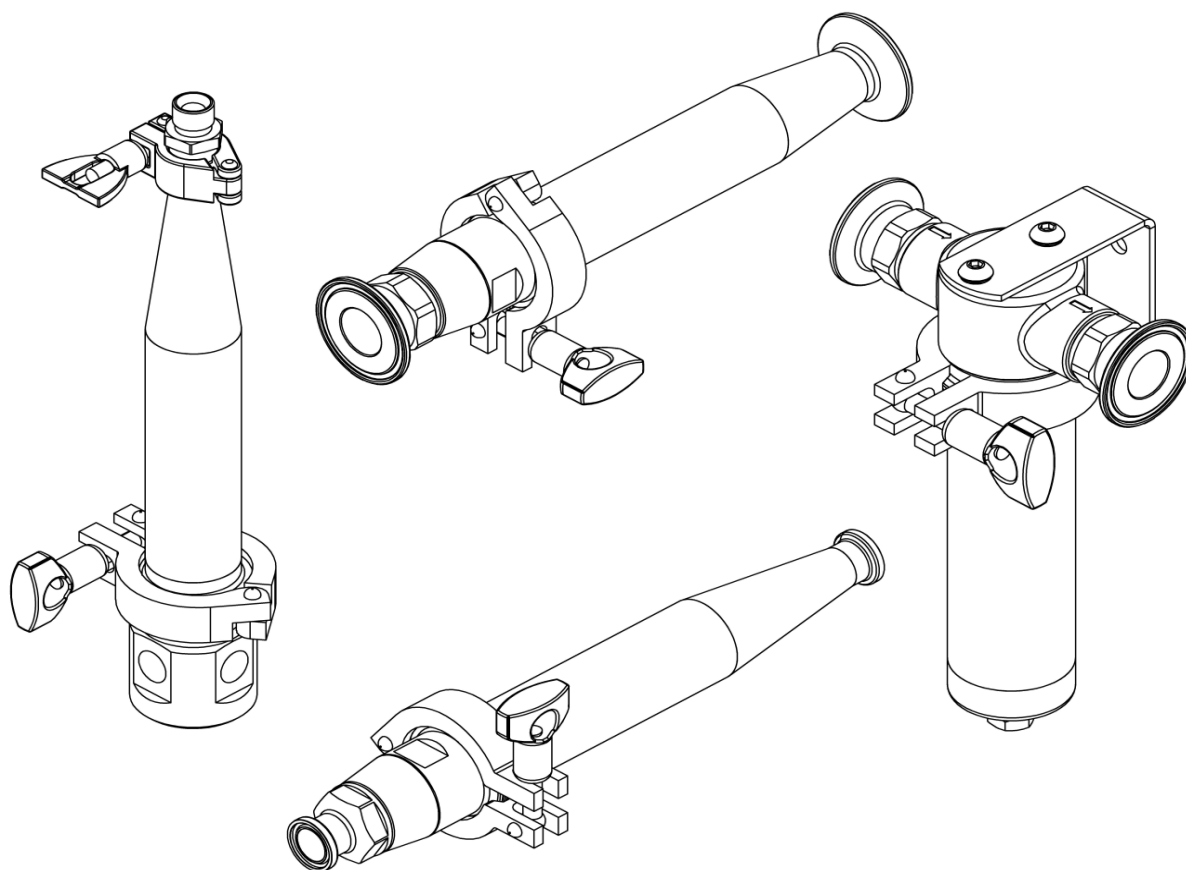


# LP Fluid Filters

- 107922-X-X
- 107923-X 'Easi Flush'
- 107924-X 'Easi Flush'
- 107925



**Product Description / Object of Attestation:** LP Fluid Filters - 107922, 107923, 107924, 107925. **EN**

**This Product is designed for use with:** Solvent and Water based Materials

**Suitable for use in hazardous area:** Zone 1 / Zone 2

**Protection Level:** II 2 G X

**Notified body details and role:** Element Materials Technology (0891)  
Lodging of Technical file

**This Attestation of conformity is issued under the sole responsibility of the manufacturer:** Carlisle Fluid Technologies UK Ltd,  
Ringwood Road,  
Bournemouth, BH11 9LH. UK

## Attestation of Conformity



**The object of the Attestation described above is in conformity with the relevant Union harmonisation legislation:**

ATEX Directive 2014/34/EU

by complying with the following statutory documents and harmonized standards:

EN 1127-1:2011 Explosive atmospheres - Explosion prevention - Basic concepts

EN 13463-1:2009 Non electrical equipment for use in potentially explosive atmospheres - Basic methods and requirements

Providing all conditions of safe use / installation stated within the product manuals have been complied with and also installed in accordance with any applicable local codes of practice.



Signed for and on behalf of Carlisle Fluid  
Technologies UK Ltd:

D Smith  
27/1/17

Director of Sales (EMEA)  
Bournemouth, BH11 9LH, UK

In this part sheet, the words WARNING, CAUTION and NOTE are used to emphasize important safety information as follows:

EN

 <b>WARNING</b>	 <b>CAUTION</b>	<b>NOTE</b>
Hazards or unsafe practices which could result in severe personal injury, death or substantial property damage.	Hazards or unsafe practices which could result in minor personal injury, product or property damage	Important installation, operation or maintenance information.

 **WARNING**

Read the following warnings before using this equipment.



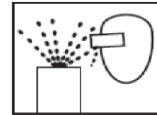
**READ THE MANUAL.** Before operating finishing equipment, read and understand all safety, operation and maintenance information provided in the operation manual.



**AUTOMATIC EQUIPMENT.** Automatic equipment may start suddenly without warning.



**WEAR SAFETY GLASSES.** Failure to wear safety glasses with side shields could result in serious eye injury or blindness.



**PROJECTILE HAZARD.** You may be injured by venting liquids or gases that are released under pressure, or flying debris.



**DE-ENERGIZE, DE-PRESSURIZE, DISCONNECT AND LOCK OUT ALL POWER SOURCES DURING MAINTENANCE.** Failure to de-energize, disconnect and lock out all power supplies before performing equipment maintenance could cause serious injury or death.



**KNOW WHERE AND HOW TO SHUT OFF THE EQUIPMENT IN CASE OF AN EMERGENCY.**



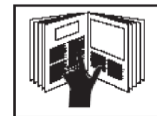
**NOISE LEVELS.** The A-weighted sound level of pumping and spray equipment may exceed 85 dB(A) depending on equipment settings. Actual noise levels are available on request. It is recommended that ear protection is worn at all times while equipment is in use.



**PRESSURE RELIEF PROCEDURE.** Always follow the pressure relief procedure in the equipment instruction manual.



**INSPECT THE EQUIPMENT DAILY.** Inspect the equipment for worn or broken parts on a daily basis. Do not operate the equipment if you are uncertain about its condition.



**OPERATOR TRAINING.** All personnel must be trained before operating finishing equipment.



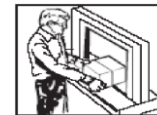
**EQUIPMENT MISUSE HAZARD.** Equipment misuse can cause the equipment to rupture, malfunction or start unexpectedly and result in serious injury.



**PACEMAKER WARNING.** You are in the presence of magnetic fields which may interfere with the operation of certain pacemakers.



**HIGH PRESSURE CONSIDERATION.** High pressure can cause serious injury. Relieve all pressure before servicing. Spray from the gun, hose leaks or ruptured components can inject fluid into your body and cause extremely serious injury.



**KEEP EQUIPMENT GUARDS IN PLACE.** Do not operate the equipment if the safety devices have been removed.



**STATIC CHARGE.** Fluid may develop a static charge that must be dissipated through proper grounding of the equipment, objects to be sprayed and all other electrically conductive objects in the dispensing area. Improper grounding or sparks can cause a hazardous condition and result in fire, explosion or electric shock and other serious injury.



**NEVER MODIFY THE EQUIPMENT.** Do not modify the equipment unless the manufacturer provides written approval.



**PROP 65 WARNING.** WARNING: This product contains chemicals known to the state of California to cause cancer and birth defects or other reproductive harm.



**PINCH POINT HAZARD.** Moving parts can crush and cut. Pinch points are any areas where there are moving parts.

**IT IS THE RESPONSIBILITY OF THE EMPLOYER TO PROVIDE THIS INFORMATION TO THE OPERATOR OF THE EQUIPMENT.**

## Specification

Part Number	107922, 107923, 107924, 107925
Max. Working Pressure	21 bar [305 psi]
Wetted Parts Materials of Construction:	303 STAINLESS STEEL PTFE ACETAL
Recommended Max. Flowrate	20 l/m
(A) Inlet Connection	107922 See Table on pg5 107923 3/4" Sanitary 107924 1" Sanitary 107925 3/8" BSPP Male (60° Cone)
(B) Outlet Connection	107922 BSPP Female 107923 3/4" or 1" Sanitary 107924 3/4" or 1" Sanitary 107925 3/8" BSPP Female
Max. Weight of Unit (Including Fittings)	2.2 kg [4.8 lbs]

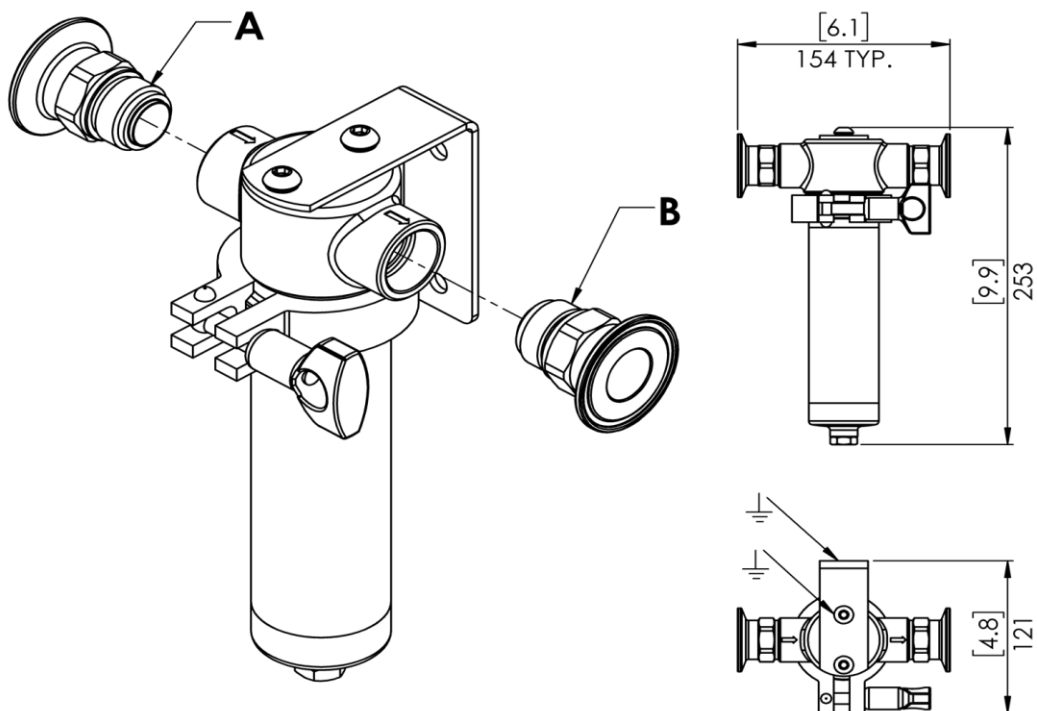
### General Description

Binks filters are suitable to filter low pressure fluid systems and are specifically designed to meet the high quality standards for paint filtration in Industry and Automotive.

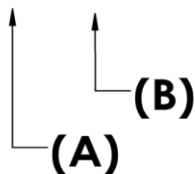
The stainless steel construction ensures compatibility with solvent and waterborne materials.

<b>FILTER ELEMENTS</b>		
<b>PART NUMBER</b>	<b>MICRON</b>	<b>U.S. MESH</b>
194546	1250	15
194547	595	30
194548	250	60
194549	150	100
194550	100	150
194551	75	200
194552	50	300
194553	38	400
194554	30	500
194555	22	600
194556	10	1250

## 107922 - Small Recirculation Filter



**107922 - X - X**



**NOTE!**

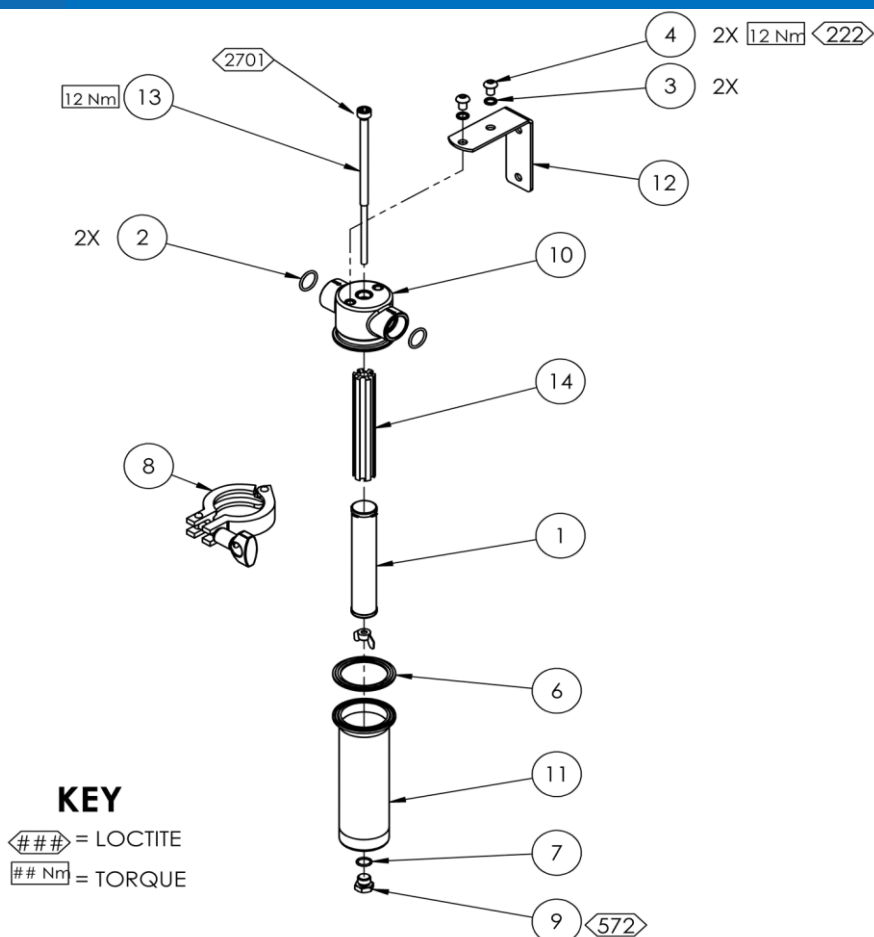
**THIS MODEL COMES WITHOUT A FILTER ELEMENT AS STANDARD, THIS MUST BE ORDERED SEPERATATLY.**

**SEE TABLE ON PAGE 4.**

INLET / OUTLET FITTING SELECTION TABLE		
SUFFIX	PART NO.	DESCRIPTION
R	192722	3/4" SANITARY
S	192723	1" SANITARY
T	192724	3/4" NPT (Female)
U	192725	3/4" BSPT (Female)
V	192726	28mm COMPRESSION COUPLING
W	192727	3/4" BSPP (MALE - 60° CONE)
Y	194283	1/2" BSPT (Female)
Z	194518	3/8" BSPT (Female)

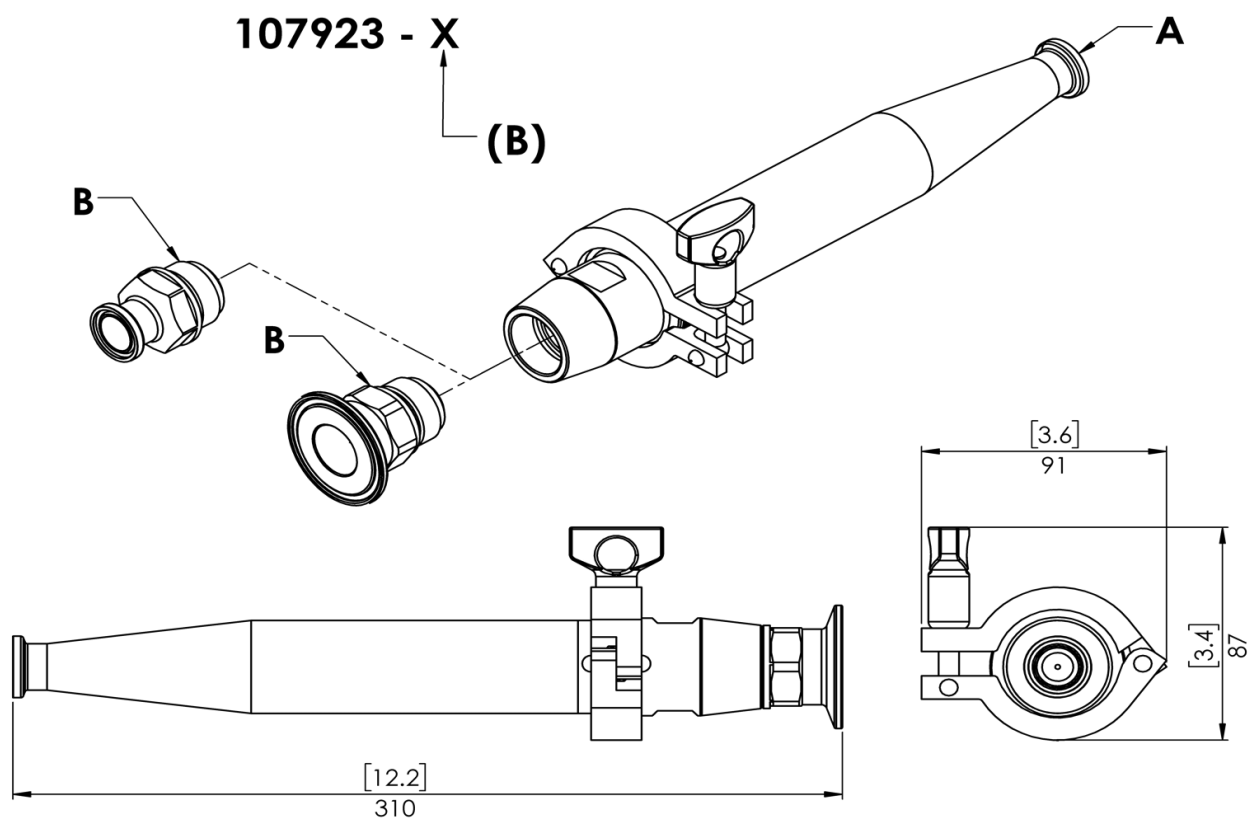
<b>A</b>	=	INLET FITTING
<b>B</b>	=	OUTLET FITTING

## 107922 - Filter Assembly



REF.	PART NO.	DESCRIPTION	QTY	REMARKS
1	-	FILTER ELEMENT	1	SEE TABLE (Pg4)
2	161982	Ø19.6 O-RING - PTFE	2	
3	165108	M8 SPRING LOCK WASHER	2	
4	177000	M8 x 12 BUTTON HEAD CAP SCREW	2	
5	177069	M6 WING NUT	1	
6	192029	2" SANITARY GASKET - PTFE	1	
7	192505	Ø12 O-RING - PTFE	1	
8	192544	2" SANITARY CLAMP	1	
9	192551	1/4" BSP HEXAGON PLUG	1	
10	194519	TOP MACHINING	1	
11	194520	FILTER BOWL	1	
12	194524	FILTER BRACKET	1	
13	194528	TIE ROD	1	
14	194534	FILTER SUPPORT	1	

## 107923 - 'Easi Flush' Filter - 3/4" Inlet



### OUTLET FITTING (B) SELECTION TABLE

SUFFIX	PART NO.	DESCRIPTION
R	192722	3/4" SANITARY
S	192723	1" SANITARY

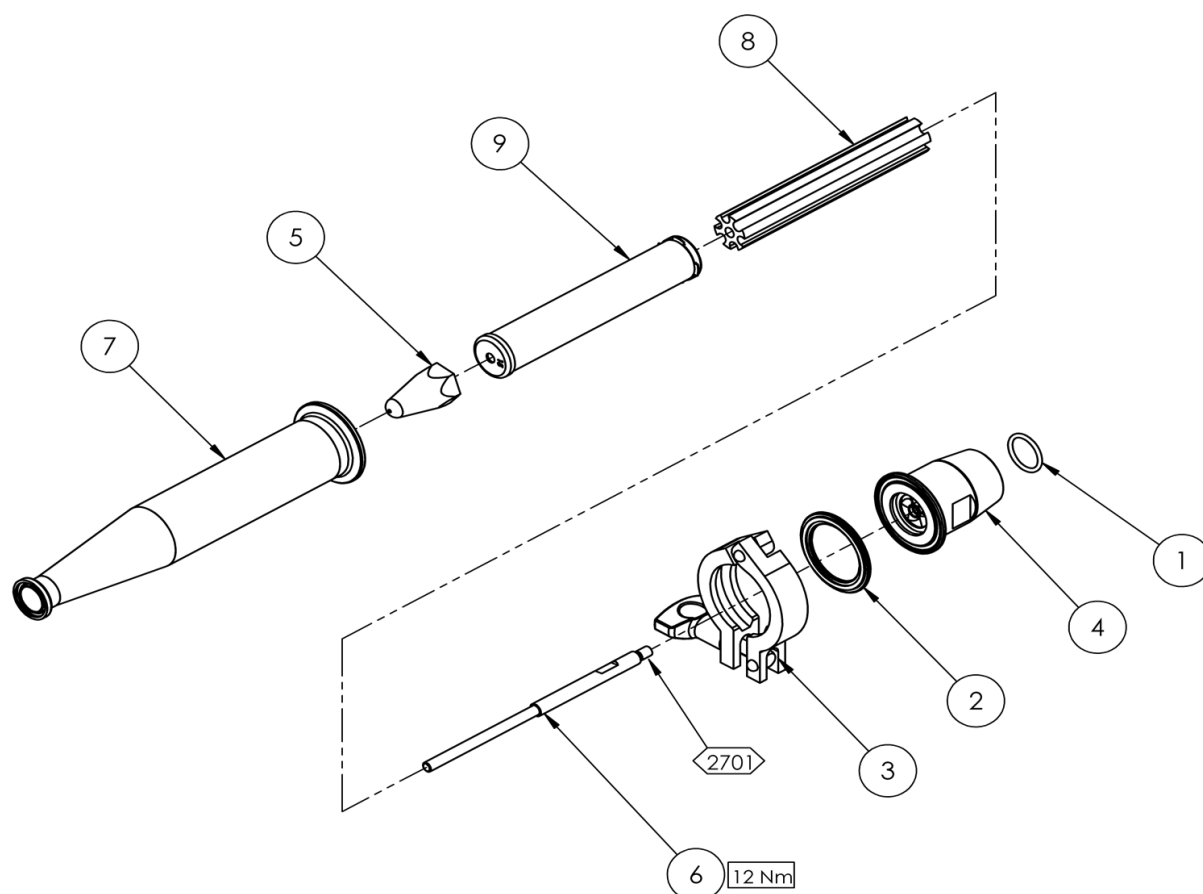
#### NOTE!

**THIS MODEL COMES WITHOUT A FILTER ELEMENT AS STANDARD, THIS MUST BE ORDERED SEPERATATLY.**

**SEE TABLE ON PAGE 4.**

**FOR USE IN PIGGING SYSTEMS**

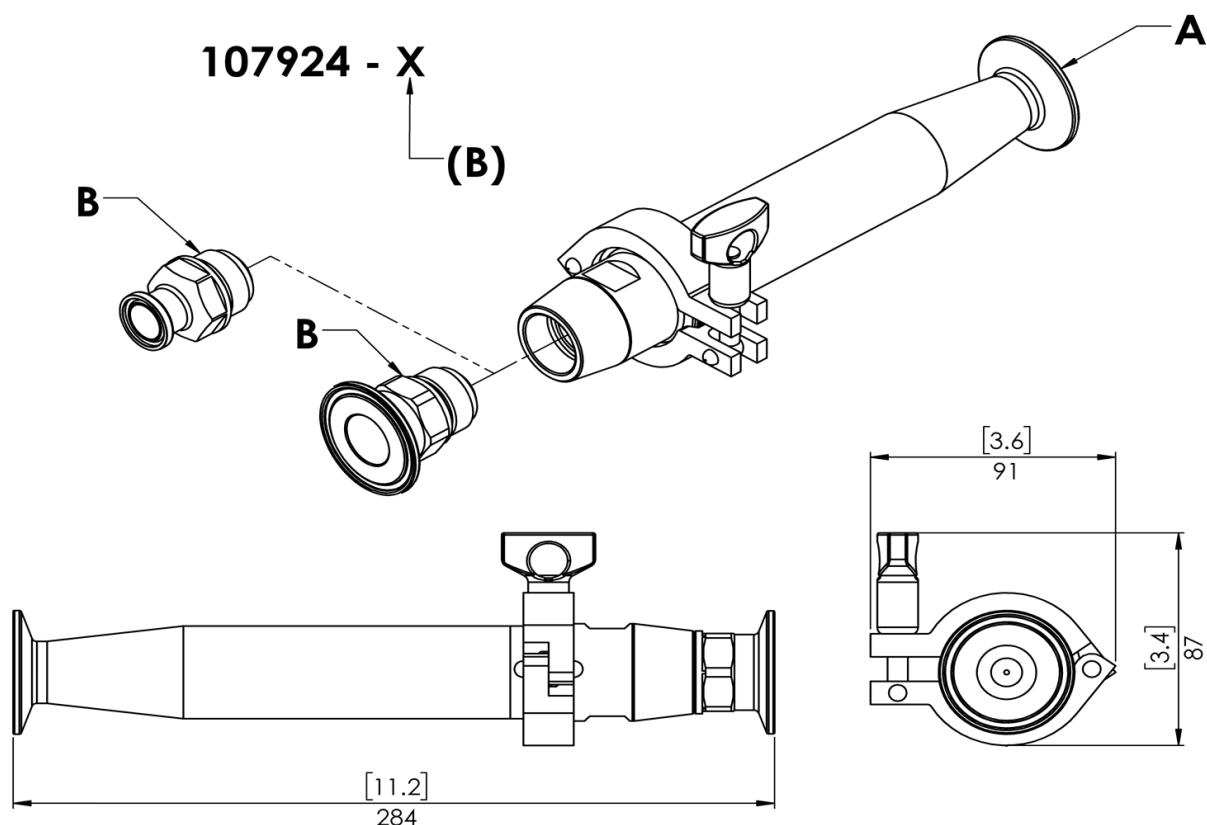
## 107923 - 'Easi Flush' Filter - 3/4" Inlet



REF.	PART NO.	DESCRIPTION	QTY	REMARKS
1	161982	Ø19.6 x 2.4 O-RING - PTFE	1	
2	192008	1½" SANITARY GASKET - PTFE	1	
3	192009	1½" SANITARY CLAMP	1	
4	194525	FILTER BODY	1	
5	194526	FILTER NUT	1	
6	194527	TIE ROD	1	
7	194531	3/4" SANITARY FILTER INLET	1	
8	194534	FILTER SUPPORT	1	
9	-	FILTER ELEMENT (NOT INCLUDED)	1	SEE TABLE ON PAGE 4.



## 107924 - 'Easi Flush' Filter - 1" Inlet



### OUTLET FITTING (B) SELECTION TABLE

SUFFIX	PART NO.	DESCRIPTION
R	192722	3/4" SANITARY
S	192723	1" SANITARY

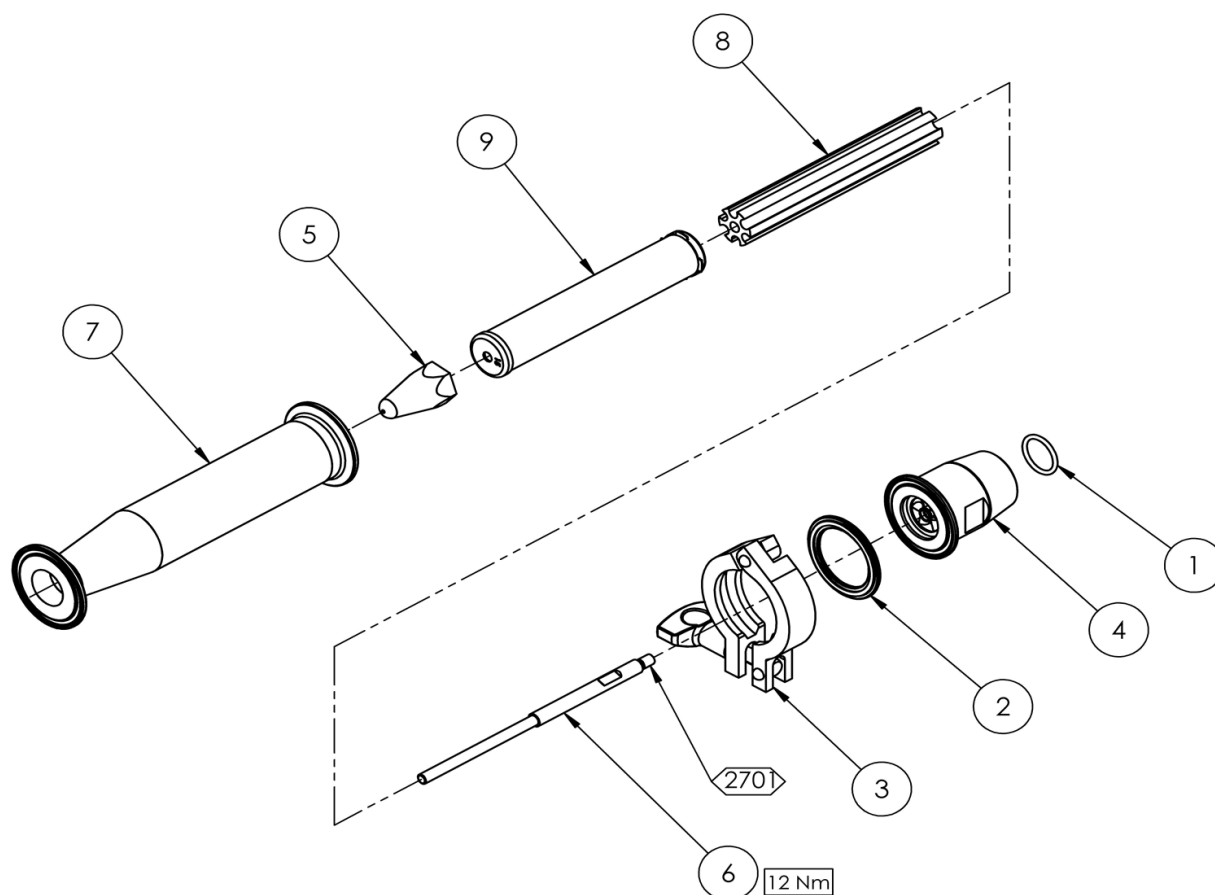
#### NOTE!

**THIS MODEL COMES WITHOUT A FILTER ELEMENT AS STANDARD, THIS MUST BE ORDERED SEPERATATLY.**

**SEE TABLE ON PAGE 4.**

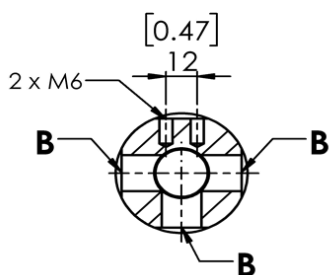
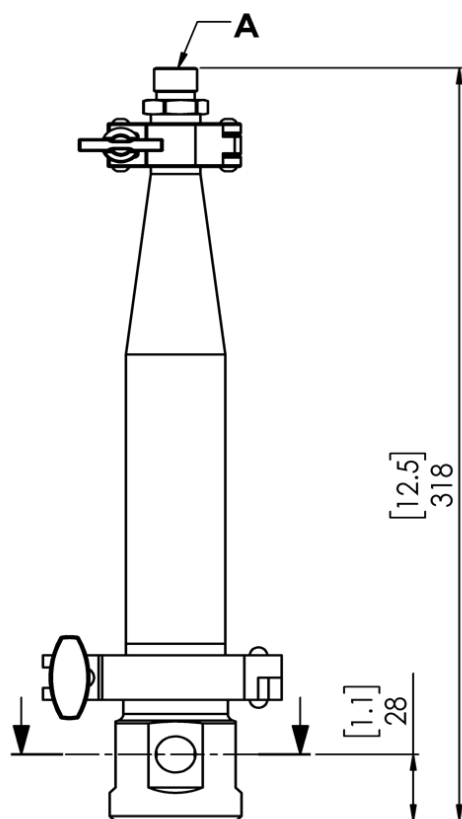
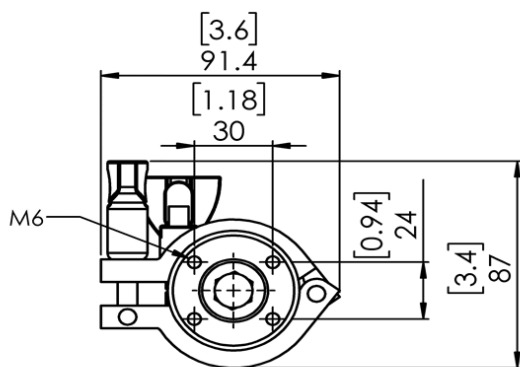
**FOR USE IN PIGGING SYSTEMS**

## 107924 - 'Easi Flush' Filter - 1" Inlet



REF.	PART NO.	DESCRIPTION	QTY	REMARKS
1	161982	Ø19.6 x 2.4 O-RING - PTFE	1	
2	192008	1½" SANITARY GASKET - PTFE	1	
3	192009	1 & 1½" SANITARY CLAMP	1	
4	194525	FILTER BODY	1	
5	194526	FILTER NUT	1	
6	194527	TIE ROD	1	
7	194530	1" SANITARY FILTER INLET	1	
8	194534	FILTER SUPPORT	1	
9	-	FILTER ELEMENT (NOT INCLUDED)	1	SEE TABLE ON PAGE 4.

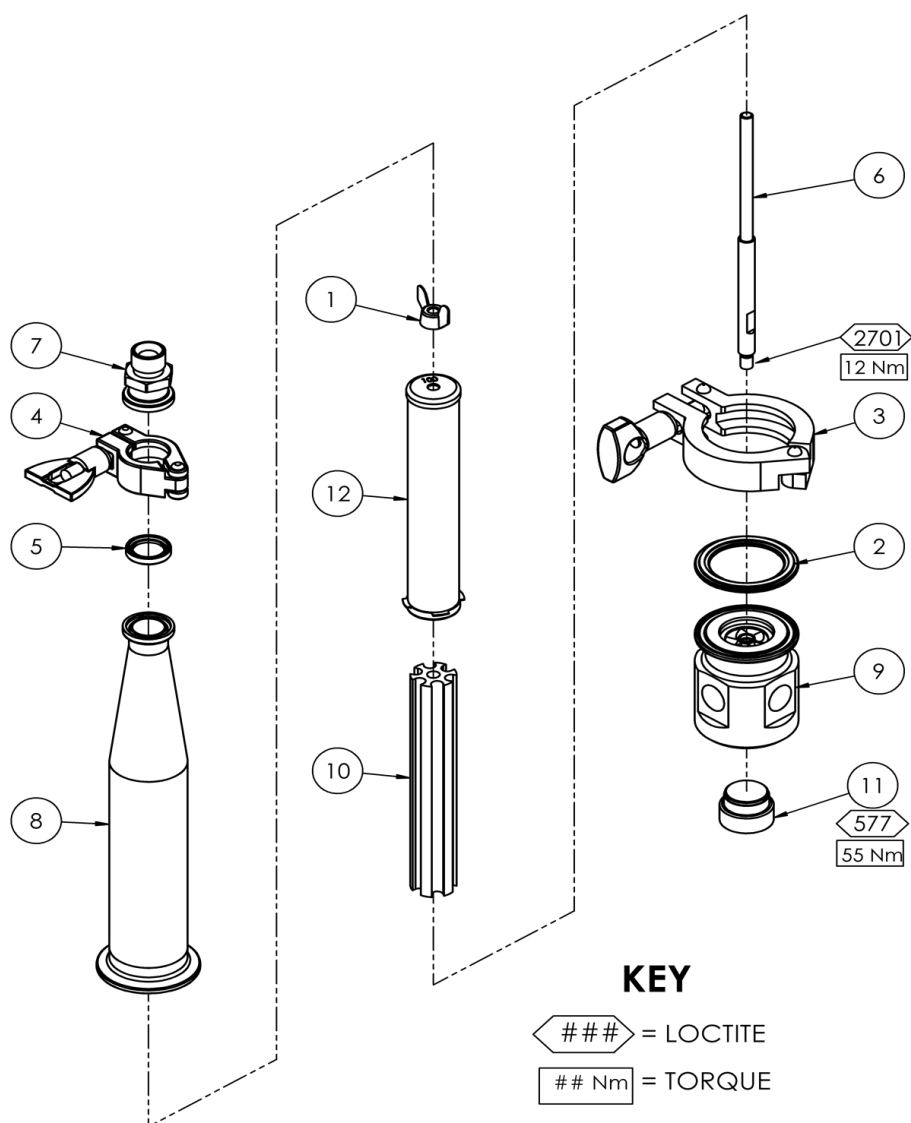
107925 - Bare DX Filter



<b>A = INLET FITTING</b>	3/8" BSPP MALE (60° CONE)
<b>B = OUTLET FITTING</b>	3/8" BSPP Female (x3)

**NOTE**

107925 - Bare DX Filter



## 107925 - Bare DX Filter

REF.	PART NO.	DESCRIPTION	QTY	REMARKS
1	177069	M6 WING NUT	1	
2	192008	1½" SANITARY GASKET - PTFE	1	
3	192009	1 & 1½" SANITARY CLAMP	1	
4	192442	¾" SANITARY CLAMP	1	
5	192443	¾" SANITARY GASKET - PTFE	1	
6	194527	TIE ROD	1	
7	194529	¾" SANITARY - ¾" BSPP ADAPTER	1	
8	194531	¾" SANITARY FILTER INLET	1	
9	194533	FILTER BODY	1	
10	194534	FILTER SUPPORT	1	
11	194535	BASE PLUG	1	
12	194549	FILTER ELEMENT - 150 MICRON	1	(100 MESH)

**Accessories**

<b>REF.</b>	<b>PART NO.</b>	<b>DESCRIPTION</b>	<b>QTY</b>
1	192008	1½" SANITARY GASKET - PTFE	1
2	192009	1 & 1½" SANITARY CLAMP	1
3	192029	2" SANITARY GASKET - PTFE	1
4	192206	1" SANITARY GASKET - PTFE	1
5	192442	¾" SANITARY CLAMP	1
6	192443	¾" SANITARY GASKET - PTFE	1
7	192544	2" SANITARY CLAMP	1
8	194495	1" SANITARY SENSOR MANIFOLD	1
9	194534	FILTER SUPPORT	1

## **WARRANTY POLICY**

Binks products are covered by Carlisle Fluid Technologies five year materials and workmanship limited warranty. The use of any parts or accessories, from a source other than Carlisle Fluid Technologies, will void all warranties. For specific warranty information please contact the closest Carlisle Fluid Technologies location listed below.

Carlisle Fluid Technologies reserves the right to modify equipment specifications without prior notice. DeVilbiss®, Ransburg®, MS®, BGK® and Binks® are registered trademarks of Carlisle Fluid Technologies, Inc.

© 2017 Carlisle Fluid Technologies, Inc.

All rights reserved.

# **BINKS®**

Binks is part of Carlisle Fluid Technologies, a global leader in innovative finishing technologies. For technical assistance or to locate an authorized distributor, contact one of our international sales and customer support locations below.

### **USA/Canada**

www.binks.com  
info@carlisleleft.com  
Toll Free Tel: 1-888-992-4657  
Toll Free Fax: 1-888-246-5732

### **Mexico**

www.carlisleleft.com.mx  
ventas@carlisleleft.com.mx  
Tel: 011 52 55 5321 2300  
Fax: 011 52 55 5310 4790

### **Brazil**

www.devilbiss.com.br  
vendas@carlisleleft.com.br  
Tel: +55 11 5641 2776  
Fax: +55 11 5641 1256

### **United Kingdom**

www.carlisleleft.eu  
info@carlisleleft.eu  
Tel: +44 (0)1202 571 111  
Fax: +44 (0)1202 573 488

### **France**

www.carlisleleft.eu  
info@carlisleleft.eu  
Tel: +33(0)475 75 27 00  
Fax: +33(0)475 75 27 59

### **Germany**

www.carlisleleft.eu  
info@carlisleleft.eu  
Tel: +49 (0) 6074 403 1  
Fax: +49 (0) 6074 403 281

### **China**

www.carlisleleft.com.cn  
mkt@carlisleleft.com.cn  
Tel: +8621-3373 0108  
Fax: +8621-3373 0308

### **Japan**

www.ransburg.co.jp  
overseas-sales@carlisleleft.co.jp  
Tel: 081 45 785 6421  
Fax: 081 45 785 6517

### **Australia**

www.carlisleleft.com.au  
sales@carlisleleft.com.au  
Tel: +61 (0) 2 8525 7555  
Fax: +61 (0) 2 8525 7575

**CARLISLE**  
FLUID TECHNOLOGIES

**DeVILBISS** | **Ransburg** | **ms** | **BGK** | **BINKS**