

SAGOLA



4000 SERIES

ROBUSTNESS

ADVANTAGES

ERGONOMICS

**NEW
GENERATION
AIR
FILTERING**

COMPROMISE

TECHNOLOGY

SOLUTIONS

INNOVATION

EVOLUTION

WARRANTY

QUALITY

BRAND

4120

4220

4120

PLUS

4220

PLUS

SAGOLA
Purificador-Regulador de aire
Flujo de aire: 1.700 l/min.
Eficiencia 95%
Presión máxima: 12 bar
Caudal filtrado: < 40µ
Temperatura máxima de funcionamiento: 120 °C

Air Filter Regulator
Air flow: 40 cfm
Filter efficiency 95%
Maximum Pressure: 174 psi
Filtered element: < 40µ
Maximum operating temperature: 248 °F

Purificador-Regulador de ar
Flujo de ar: 1.700 l/min.
Eficiencia 95%
Presión máxima: 12 bar
Caudal filtrado: < 40µ
Temperatura máxima de operación: 120 °C

SAGOLA
Purificador de aire (coalescente)
Flujo de aire: 1700 l/min.
Eficiencia 99% técnicamente libre de aceite
Presión máxima: 12 bar
Elemento filtrante: < 0,01µ
Temperatura máxima de funcionamiento: 120 °C

Air filter (coalescent)
Air flow: 40 cfm
Filter performance 99% technically oil-free air
Maximum Pressure: 174 psi
Filtered element: < 0,01µ
Maximum operating temperature: 248 °F

Purificador de ar (Coalescente)
Flujo de ar: 1.700 l/min.
Eficiencia 99% técnicamente libre de aceite
Presión máxima: 12 bar
Elemento filtrante: < 0,01µ
Temperatura máxima de operación: 120 °C



Best solutions for
refinishing and industrial painting

NEW PROFESSIONAL SERIES for air filtering inside the BOOTH

SAGOLA introduces its new professional line of **air filters and regulators for the most demanding paint jobs**. This line is designed for paint booths in bodyshop, wood and metal works where the highest finishing is needed.

Maximum filtering, smooth functioning and strength, **at the best price/quality ratio**.

SAGOLA 4000 Series FILTERS supply the cleanest air, filtering particles down to 0.01 microns, and ensure a minimum air pressure drop (max. air flow: 1,700 l/min.)

SAGOLA's Professional solution for air filtering



4120 · 4120 PLUS

Purifying Filter + Regulator

High precision.
CNC mechanized from a solid aluminum block.
Automatic draining system.

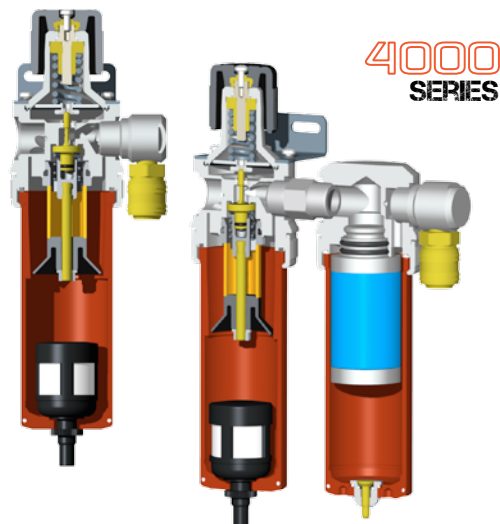
4220 · 4220 PLUS

Purifying Filter + Regulator Double stage coalescent filter

Maximum filtering.
Coalescent filter.
0.01 microns.

NEW DESIGN AND BODY

- Strong and highly effective design.
- Easy-to-use, smooth handling.
- Manufactured with highly durable materials.
- Long lasting anticorrosion treatment in all surfaces.
- Automatic draining system.
- High precision regulators and manometer.
- Easy-to-maintain.



SOLUTIONS FOR THE MOST DEMANDING FINISHES



4120 · 4120 PLUS

PURIFYING FILTER + REGULATOR

Effective solution for compressed air filtration in professional paint booths for: car refinish, wood, machinery, plastics and industry in general.

Highly reliable air regulation system.

Manufactured from a solid aluminum block.

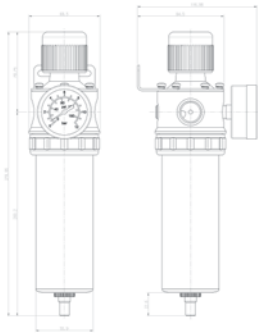
It eliminates air, oil and particles.

Friction and centrifugal filtration.

Automatic drain of condensed liquids.

High air flow.

High quality manometer.



- > Dimensions **4120**: 279 x 117 x 69.5 mm.
- > Dimensions **4120 PLUS**: 279 x 117 x 96 mm.
- > Weight: **4120**: 1,015 gr. **4120 PLUS**: 1,220 gr.
- > Brass filter: 20 microns
- > Drain system: automatic
- > Air flow: 1,700 l/min.
- > Maximum pressure: 12 bar
- > Air inlet: 1/2"
- > Coupling **4120 PLUS**: SAGOLA US Mil

Code	Version
10730501	4120
10730502	4120 PLUS (includes coupling)



4220 · 4220 PLUS

PURIFYING FILTER + REGULATOR - COALESCENT FILTER

Two stage air filter. Maximum filtering level.

Recommended for last generation finishes.

Waterborne paints, HS clearcoats and enamels, high gloss lacquers.

Highly reliable air regulation system.

Manufactured from a solid aluminum block.

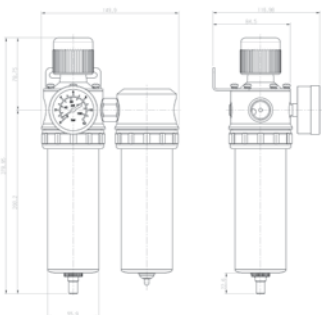
1st stage: water, oil and particles filtering

+ 2nd stage: submicronic filtering. 0.01 microns

Automatic drain of condensed liquids.

High air flow.

High quality manometer.

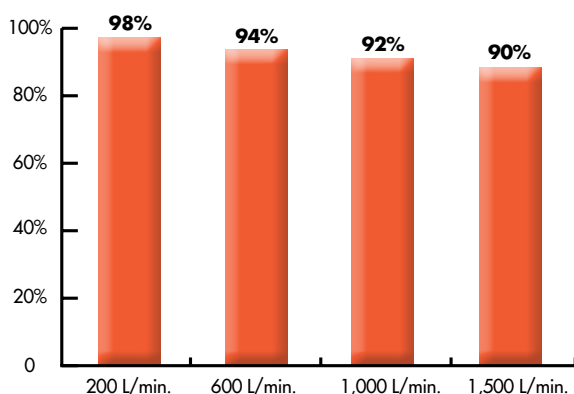


- > Dimensions **4220**: 279 x 117 x 162 mm.
- > Dimensions **4220 PLUS**: 279 x 117 x 186 mm.
- > Weight: **4220**: 1,797 gr. **4220 PLUS**: 2,002 gr.
- > Brass filter: 20 microns + Coalescent filter: 0.01 microns
- > Drain system: automatic + semi automatic
- > Air flow: 1.700 l/min.
- > Maximum pressure: 12 bar
- > Air inlet: 1/2"
- > Coupling **4220 PLUS**: SAGOLA US Mil

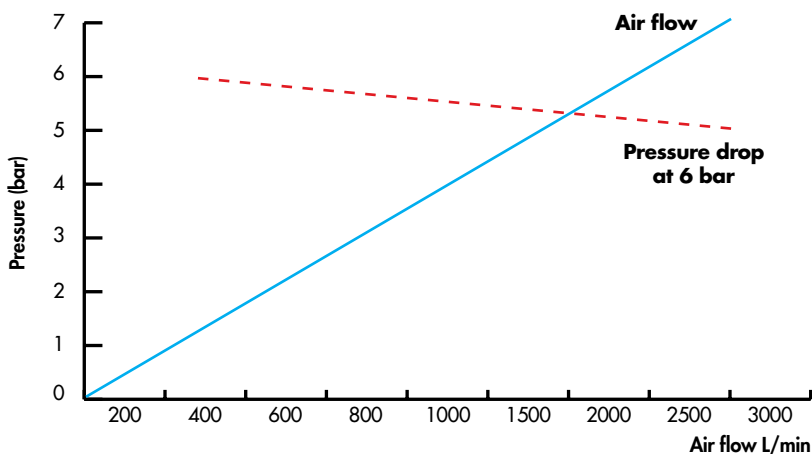
Code	Version
10750401	4220
10750402	4220 PLUS (includes coupling)

TECHNICAL ADVANTAGES

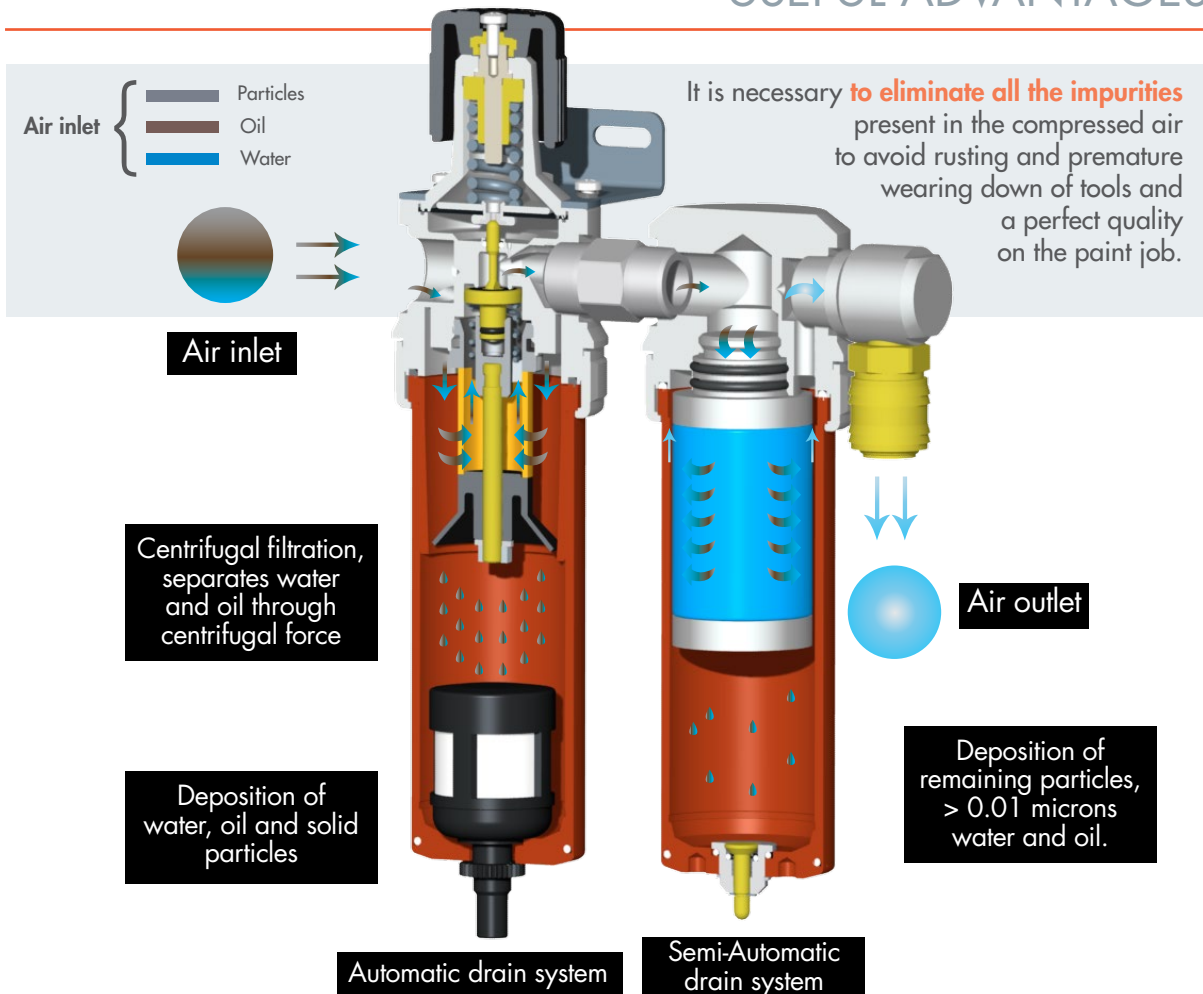
- 1 MECHANIZED body from SOLID ALUMINUM.**
No diecast parts inside. High strength elements. Longer durability. Oversized air holes, bigger air flow and minimum pressure drops.
- 2 ANODIZED to avoid rusting.**
Not painted. Anodizing makes it to last longer. Very high resistance to rusting and any other chemical attack.
- 3 High quality and easy to read MANOMETER**
Double scale: bar and psi.
- 4 AUTOMATIC draining system**
Automatic purge of condensed liquids without any handling.
- 5 Oversized REGULATING WHEEL.**
Easy-to-use, even with gloves.
- 6 Highly accurate REGULATION SYSTEM.**
- 7 Highly resistant ALUMINUM CUP MECHANIZED and ANODIZED.** Maximum durability. Minimum maintenance.
- 8 Outlet options: DIRECT OUTLET or QUICK COUPLING (PLUS).**
- EASY-TO-MAINTAIN.** No tool required for the disassembly. SAGOLA's exclusive design.



Water/Oil purification degree



USEFUL ADVANTAGES



- Maximum painting quality. Retention of 99% of solids.
- Filtration down to 0.01 microns.
- It holds and automatically drains condensed water and oil.
- Ideal for waterborne and HS paints.
- Highly effective filters. Easy-to-maintain.
- Mechanized aluminum cups. Best finish and maximum durability.
- Quick couplings with stainless steel mechanisms and silicone-free gaskets.

GREAT ADVANTAGES

TIPS to choose the perfect FILTER

In order to choose the filter system we shall install in our shop, we must take into account the type of air compressor we have, its condition and the quality of the air it is supplying.

In case we are looking for a high quality filtration of particles, water and oil, for painting in a booth and to get a good finish, the filter 4120 would be suitable for primers, lacquers, clearcoats and enamels.

To get the highest performance and finishing quality with waterborne paints and High Solid (HS) products, we may need even more pure air that contains no particles at all.

In that case we have to install a coalescent filter and regulator, that is, the 4220. With this filter system we will eliminate any solid particle down to 0.01 microns, water aerosols ($C > 0.01 \text{ mg/m}^3$) and oil aerosols ($C > 0.01 \text{ mg/m}^3$).

SAGOLA GUARANTEE

SAGOLA offers a **3-year guarantee** for its entire product range, that covers any design or manufacturing defect in its products. Any defect in its design will be repaired or replaced free of charge for the customer.



Regulations / Patents / Registries

- All SAGOLA products comply with the strictest safety standards for the manufacturing of painting equipment.
- SAGOLA products comply with EC regulations and all the ATEX standards.
- To protect itself against copies and counterfeits, SAGOLA register the shape of its guns and, naturally, registers its trademark worldwide.

SAGOLA SPARE PARTS SERVICE GUARANTEE

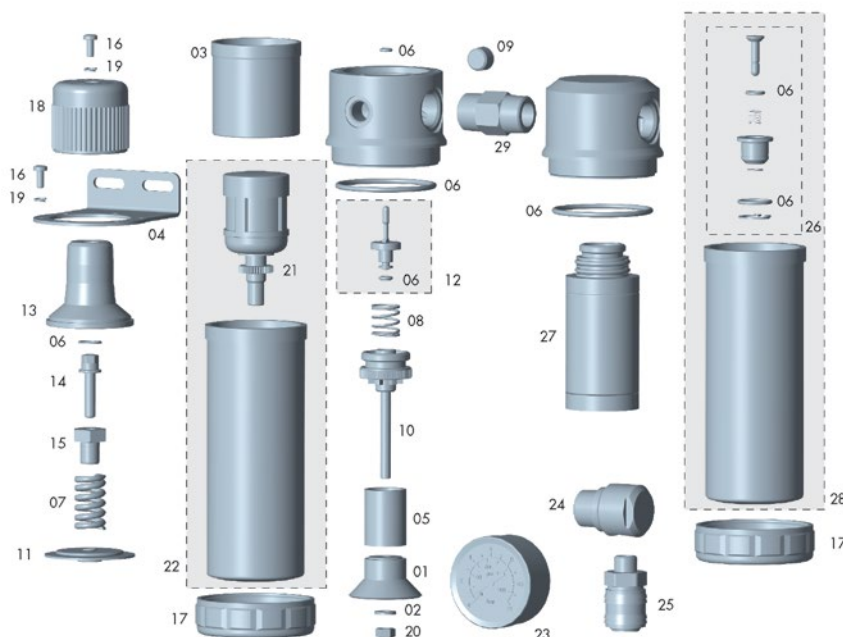
SAGOLA is synonymous with **quality and service**. For this reason SAGOLA offers comprehensive guarantee of the service of components and spare parts for the perfect maintenance of all its products, even those sold over 10 years ago.



4220 PLUS

(*) Min. 5 u.

ed. 10



Nº	Cod.	U.	Nº	Cod.	U.	Nº	Cod.	U.	Nº	Cod.	U.	Nº	Cod.	U.
01	50810028	1	07	54710281	1	13	57110205	1	19	80860703	7	25	11010520	1
02	50850408	1	08	54710283	1	14	57212310	1	20	57450905	1	26	56417507	1
03	51910719	1	09	55752117	1	15	57212311	1	21	56450010	1	27	53610604	1
04	53310211	1	10	56310604	1	16	57251305	7	22	56417711	1	28	56417712	1
05	53610204	1	11	56414305	1	17	57410109	2	23	54550016	2	29	55710247	1
06	56418588	1	12	56417416	1	18	57810339	1	24	55712165	1			

ACCESSORIES and COMPLEMENTS

EASY-TO-MAINTAIN



NO TOOLS REQUIRED FOR ASSEMBLY AND DISASSEMBLY

OPTIONAL DOUBLE OUTLET KIT

Quick couplings SAGOLA US Mil series. All models.



AUTOMATIC DRAIN

All models.

Ref. 56450010



SINTERED BRASS FILTER (20 MICRONS)

All models.

Ref. 53610208



COALESCENT FILTER (0.01 MICRONS)

4220 & 4220 PLUS models.

Ref. 53610604



REMEMBER, always use original SAGOLA spare parts

in order to guarantee the proper operation of your painting equipment.

4240 FACE MASK. Breathing equipment including: face mask, belt, active coal filter, preset regulator, 10m of hose + safety couplings, 1.5 m of hose and outlet for spray gun.

Approval: 89/686/CEE (EPI)



Ref. 15830101

CLASSIC MP2 and MP300 ;NEW!

Face mask with paint filter. For organic fumes and solvents.

Approval:

FBC – 9086 A



Ref. 14810201 (MP2)

Ref. 14810301 (MP300)

Classic MP2

MP300

HOSE SPOOL. Professional hose spool with metal housing. Tough and resistant. Ideal to keep panel beating and sanding zones tidy and free of hoses on the floor. Two models: 10 and 15 meters.

SA110 Ref. 40000268 (10 m.) **SA115** Ref. 40000269 (15 m.)



QUICK COUPLINGS.

Manufactured in brass and steel, safe and hermetic locking system. Available in 4 sizes and all standard threads. Silicone-free joints. Specific models for industry, high flow rate, anti-backlash...



ANTI STATIC AIR HOSES.

Antistatic and anti-adherent hose. Great flexibility and lightness. Clamping fittings for maximum safety. Inner diameter of 8mm, enough for any model of spray gun.

Ref. 56414024 (6 m.)

56414025 (11 m.)

4000 SERIES



SAGOLA S.A. will refuse any responsibility for the damage of defects caused by filtering system a similar appearance to the originals. These filtering systems are imitations that **HAVE NOT BEEN MANUFACTURED BY SAGOLA, S.A.** The SAGOLA S.A. products are exclusively sold through our distributors, with spare parts and a 3-year worldwide guarantee against manufacturing defects.



ISO CERTIFICATES



SAGOLA S.A. has always displayed the quality of its products with pride, but lately, in view of its ever more demanding clients, it has obtained certifications that vouch for the guarantee of its know-how and its impeccable organisational quality.

