

elcometer®

inspection equipment



ENGLAND

Elcometer Limited
Manchester M43 6BU
Tel: +44 (0)161 371 6000
Fax: +44 (0)161 371 6010
e-mail: sales@elcometer.com

FRANCE

Elcometer Sarl
45430 Bou
Tel: +33 (0)2 38 86 33 44
Fax: +33 (0)2 38 91 37 66
e-mail: fr_info@elcometer.com

USA

Elcometer Inc
Rochester Hills Michigan 48309
Tel: +1 248 650 0500
Toll Free: 800 521 0635
Fax: +1 248 650 0501
e-mail: inc@elcometer.com

GERMANY

Elcometer Instruments GmbH
D-73431 Aalen
Tel: +49(0)7361 52806 0
Fax: +49(0)7361 52806 77
e-mail: de_info@elcometer.de

REPUBLIC OF SINGAPORE

Elcometer (Asia) Pte Ltd
Singapore 589472,
Tel: +65 6462 2822
Fax: +65 6462 2860
e-mail: asia@elcometer.com

BELGIUM

Elcometer SA
B-4681 Hermalle /s Argenteau
Tel: +32 (0)4 379 96 10
Fax: +32 (0)4 374 06 03
e-mail: be_info@elcometer.com

JAPAN

Elcometer KK
Nisso Dai 23 Building, Room 804,
3-8-25, Toranomon, Minato-ku,
Tokyo 105-0001
Tel: +81-3-6869-0770
Fax: +81-3-6809-1442
e-mail: jp_info@elcometer.com

THE NETHERLANDS

Elcometer NL
3584 BH Utrecht
Tel: +31 (0)30 210.7005
Fax: +31 (0)30 210.6666
email: nl_info@elcometer.com

DFT
Fineness of
Grind, Density
Flow & Dip Cups
Rotational Viscosity
Flash Point, Impact Testers
Washability & Abrasion Testers
Film Applicators, Bend Testers, Gloss
Thickness Gauges, Surface Profile, Wet Film
Dry Film, Coating Thickness Gauges
Climatic Testing, Adhesion, Pinhole Testers
Porosity, Software, Dispersion, Inspection Kits
Zahn Cups, Motorised Film Applicators
Drying Time Recorders, Washability, Abrasion
Scratch & Hardness, Elasticity & Deformation
Surface Cleanliness, DOI Gloss Meters
Colour, Moisture, Dewpoint Meters
Cross-Hatch, Oven Recorders
Surface Contamination
ElcoMaster™



Elcometer 1615
Variable Impact Tester
www.elcometer.com

Elcometer 1615 Variable Impact Tester

This simple to use gauge is ideal for evaluating the resistance of a coating to impact (elongation, cracking or peeling), and is suitable for use on both direct and indirect test methods.

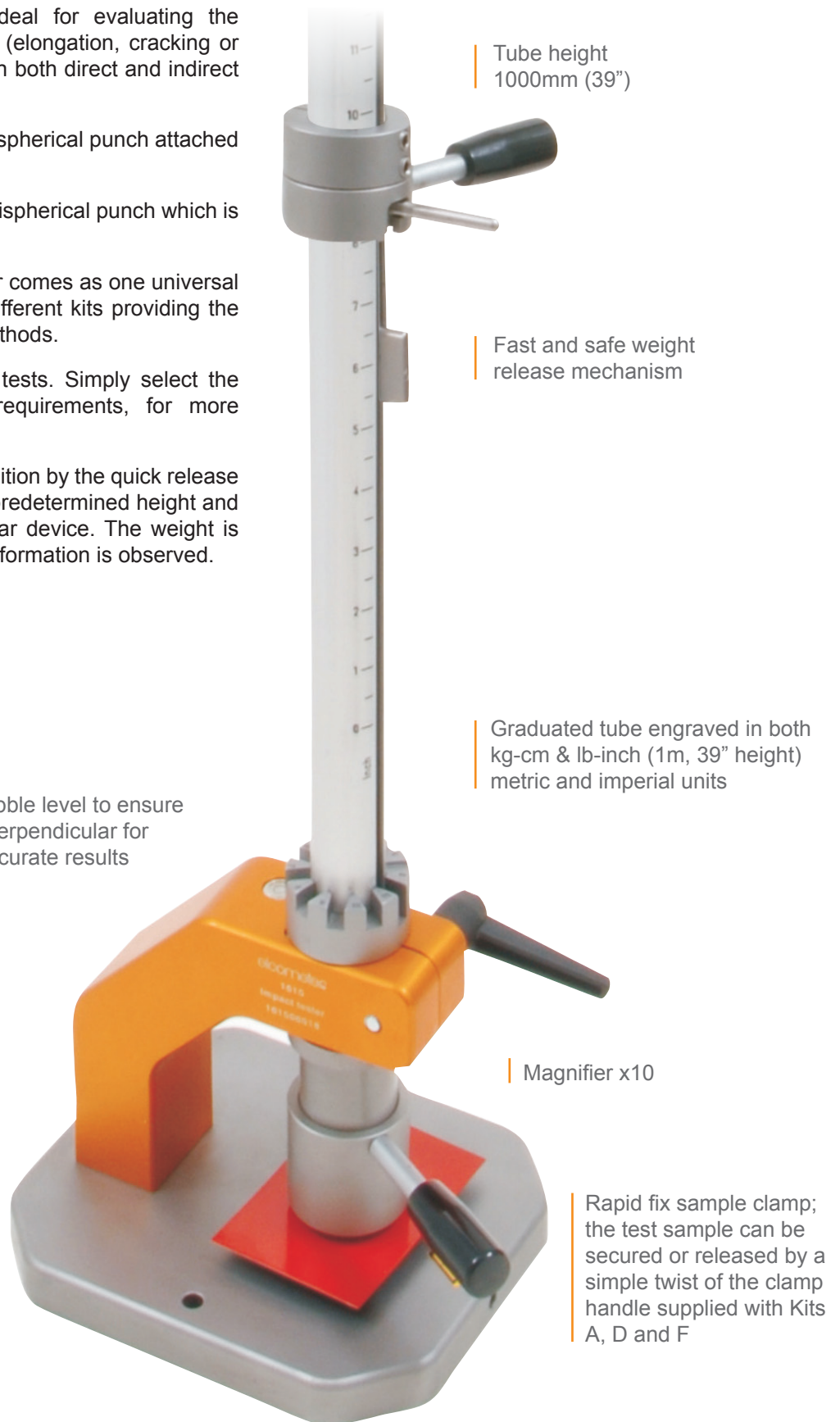
Direct: either a weight with a hemispherical punch attached falls on to a coated metal sheet.

Indirect: a weight falls on to a hemispherical punch which is resting on the coated metal sheet.

The Elcometer 1615 Impact Tester comes as one universal assembly with the option of six different kits providing the functionality for various testing methods.

The base unit is common to all tests. Simply select the appropriate kit to meet your requirements, for more information see page 9-8.

The test specimen is fixed into position by the quick release clamp. The weight is lifted to the predetermined height and can be set by the adjustable collar device. The weight is then released and the resulting deformation is observed.



Tube height
1000mm (39")

Fast and safe weight
release mechanism

Graduated tube engraved in both
kg-cm & lb-inch (1m, 39" height)
metric and imperial units

Integrated bubble level to ensure
the tester is perpendicular for
repeatable accurate results

Stop collar with 10
settings between 2mm
and 15mm (0.08 and
0.60") to change the depth
of impact when working
in accordance with ISO
Standards, supplied with
Kits A, D and F

Magnifier x10

Heavy-duty, passivated base
plate and anodised arm to
prevent rusting

Rapid fix sample clamp;
the test sample can be
secured or released by a
simple twist of the clamp
handle supplied with Kits
A, D and F

Elcometer 1615

Variable Impact Tester

Variable Impact Tester Kits

The Elcometer 1615 Variable Impact Testers are designed to meet a wide range of National and International Standards. Simply select the appropriate kit from page 9-8 and attach the punch, die and accessories to the base unit.

Interchangeable dies - enables the user to match the die to the size of the relevant punch to conform to the required Standard or method.



Please see page 9-8 for the list of available kits and page 9-10 for the full range of accessories



STANDARDS:
 ASTM D 2794, ASTM D 5420,
 AS/NZS 1580.406.1, BS 6496:1984,
 BS 3900-E13, ECCA T5,
 EN 12206-1:2004, EN 13523-5,
 ISO 6272:1993, ISO 6272-1,
 ISO 6272-2, JIS K 5600-5-3:1999,
 NF T30-017:1989

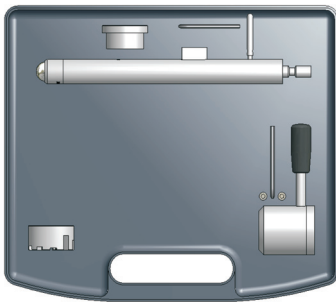
Technical Specification

Part Number	Description
K0001615M201	Elcometer 1615 Impact Tester Universal Base Unit and Tube
Weight	10.6kg (23.34lb)
Dimensions	1460 x 200 x 165mm (57.5 x 8.0 x 6.5")
Packing List	Elcometer 1615 Impact Tester with passivated base, integrated bubble leveller, graduated tube, collar release mechanism and operating instructions

Elcometer 1615

Elcometer Impact Tester Kits

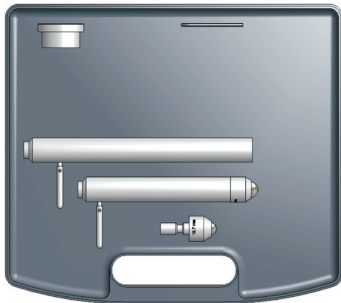
In order to test a sample in accordance with a specified standard, a number of kits have been created to provide a single Impact Tester which, by using the appropriate kit, allow the user to work in accordance with a wide range of National and International standards.



Part Number	Description	Certificate
KT001615KITA	Elcometer Impact Tester Kit A	○

Kit A: Falling 1kg (2.2lb) weight with a 20mm (0.79") punch; 27mm (1.06") die with fixing screw; sample clamp with two fixing screws; stop collar; 3mm (0.12") and 4mm (0.15") hexagonal wrench

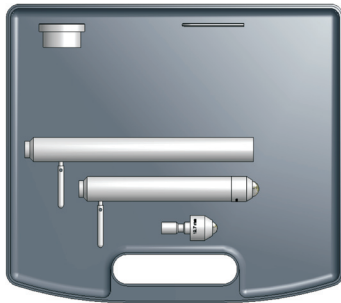
STANDARDS:
[ISO 6272:1993](#), [EN 13523](#), [JIS K 5600-5-3](#), [DIN EN ISO 6272-1](#)



Part Number	Description	Certificate
KT001615KITB	Elcometer Impact Tester Kit B	○

Kit B: Falling 1kg (2.2lb) weight with static indenter with 15.9mm (0.6") punch; 12.7mm (0.5") punch; 16.3mm (0.64") die with fixing screw; 16.3mm (0.64") die with fixing screw

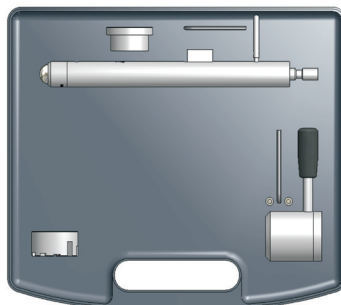
STANDARDS:
[ASTM D 2794](#), [BS EN ISO 6272-2](#), [ISO 6272-2 :2002](#), [Qualicoat](#)



Part Number	Description	Certificate
KT001615KITC	Elcometer Impact Tester Kit C	○

Kit C: Falling 2lb (908g) weight with static indenter with 15.9mm (0.6") punch; 16.3mm (0.64") die with fixing screw; 3mm (0.12") hexagonal wrench

STANDARDS:
[ASTM D 2794](#), [BS6496:1984](#), [EN 12206-1](#)



Part Number	Description	Certificate
KT001615KITD	Elcometer Impact Tester Kit D	○

Kit D: Falling 1kg (2.2lb) weight with 20mm (0.79") punch and stop key; 27mm (1.06") die with fixing screw; stop collar*; sample clamp with fixing screws; 3mm (0.12") and 4mm (0.15") hexagonal wrench

STANDARDS:
[ISO 6272-1](#), [BS EN ISO 6272-1](#), [NF EN ISO 6272-1](#)

* Values: 2, 3, 4, 5, 6, 7, 8, 9, 10 & 15mm (0.08, 0.12, 0.16, 0.20, 0.24, 0.28, 0.31, 0.35, 0.39 & 0.60")

○ Optional Calibration Certificate available.

Elcometer 1615

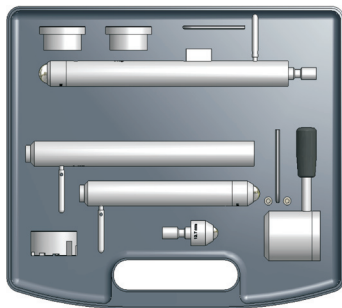
Elcometer Impact Tester Kits



Part Number	Description	Certificate
KT001615KITE	Elcometer Impact Tester Kit E	○

Kit E: Falling 400g (0.9lb) weight with 23mm (0.90”) punch; 22mm (0.87”) die with fixing screw; 3mm (0.12”) hexagonal wrench

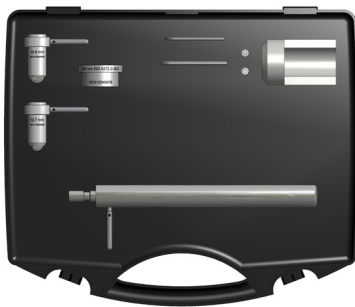
STANDARDS:
NF T30-017:1989



Part Number	Description	Certificate
KT001615KITF	Elcometer Impact Tester Kit F	○

Kit F: Falling 1kg (2.2lb) weight with a 20mm (0.79”) punch; 27mm (1.06”) die with fixing screw; Falling 1kg (2.2lb) weight with 12.7mm (0.5”) punch; sample clamp with two fixing screws; 16.3mm (0.64”) die with fixing screw; stop collar; static indenter with 15.9mm (0.6”) punch; 16.3mm (0.64”) die with fixing screw

STANDARDS:
ASTM D 2794, BS EN ISO 6272, DIN EN ISO 6272-1, EN 13523-5, ISO 6272, Qualicoat 2006, SN EN ISO 6272-1



Part Number	Description	Certificate
KT001615KITG	Elcometer Impact Tester Kit G	○

Kit G: Falling 1kg (2.2lb) weight with a 15.9mm (0.62”) static indenter with handle and punch; 12.7mm (0.5”) static indenter with handle and punch; 16.3mm (0.64”) die with fixing screw; guide bracket with two fixing screws; 3mm (0.12”) hexagonal wrench; 4mm (0.16”) hexagonal wrench

Additional 1kg (2.2lb) weights are available as an optional extra.

STANDARDS:
BS EN ISO 6272-2:2011

○ Optional Calibration Certificate available.

Elcometer 1615

Variable Impact Tester Accessories



The following range of accessories have been designed to help you evaluate the resistance of a coating to impact (elongation, cracking or peeling) when used in conjunction with the Elcometer 1615 Variable Impact tester.

Punches are universal and can be used either fitted to a falling weight or as a punch resting on the sample.

Accessories

		Suitable for Kit						
		A	B	C	D	E	F	G
KT001615N201	Additional 1kg (2.2lb) Falling Weight, 24.6mm (0.97) Diameter				■			
KT001615N221	Additional 1kg (2.2lb) Falling Weight, 25.0mm (0.98) Diameter	■					■	■
KT001615N226	20mm (0.79") Diameter Punch (Outside Diameter 25mm)	■					■	
KT001615N215	12.7mm (0.5") Diameter Punch		■				■	
KT001615N205	15.9mm (0.6") Diameter Punch		■	■			■	
KT001615N206	20mm (0.79") Diameter Punch (Outside Diameter 24.6mm)				■			
KT001615N207	23mm (0.9") Diameter Punch					■		
KT001615N216	Static Indenter with 12.7mm/0.5" Diameter Punch							■
KT001615N217	Static Indenter with 15.9mm/0.6" Diameter Punch							■
KT001615N208	Stop Ring Collar	■			■		■	
KT001615N209	Sample Clamp Mechanism	■			■		■	
KT001615N210	Weight Release Mechanism	■	■	■	■	■	■	■
KT001615N211	Replacement Graduated Tube	■	■	■	■	■	■	■
KT001615N212	16.3mm (0.64") Die		■	■			■	
KT001615N232	16.3mm (0.64") Die (with 1.5mm Radius)							■
KT001615N213	22mm (0.87") Die					■		
KT001615N214	27mm (1.06") Die	■			■		■	