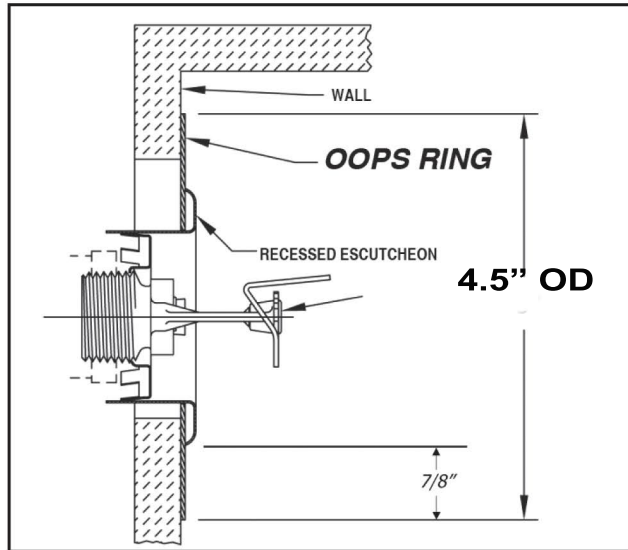


OOPS RING ESCUTCHEON

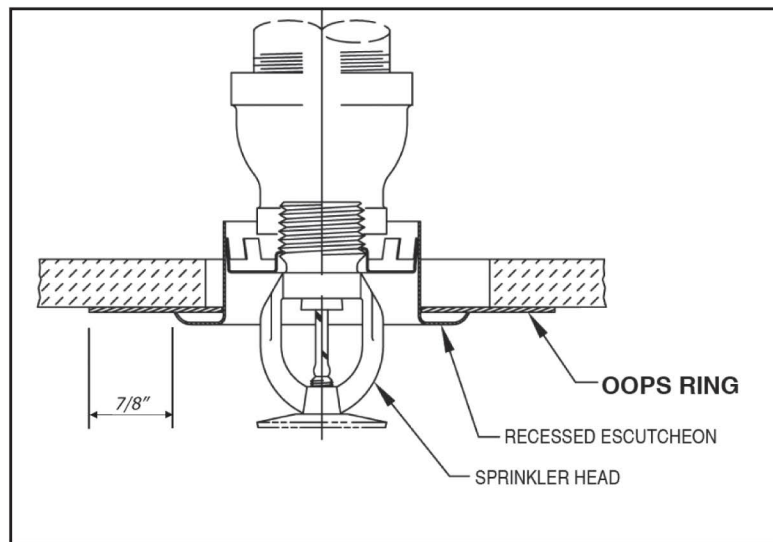
4823WH-2.375x4.5
4823CH-2.375x4.5



- Conceal oversized holes in wall or ceiling.
- Simply install between recessed escutcheon and sprinkler head.
- Fire resistant chrome plated steel plate 1/32" thick x **2-3/8" ID x 4-1/2" OD**
- Creates a separation between escutcheon and ceiling for seismic applications.



Side Wall Application



Ceiling Application

System No.		Location	
Submitted By		Date	

Spec Section		Paragraph	
Approved		Date	