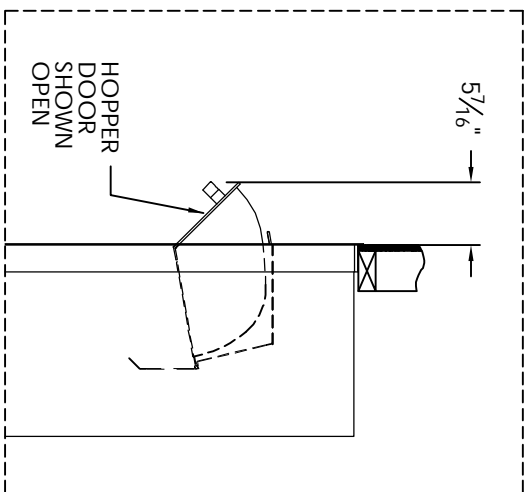
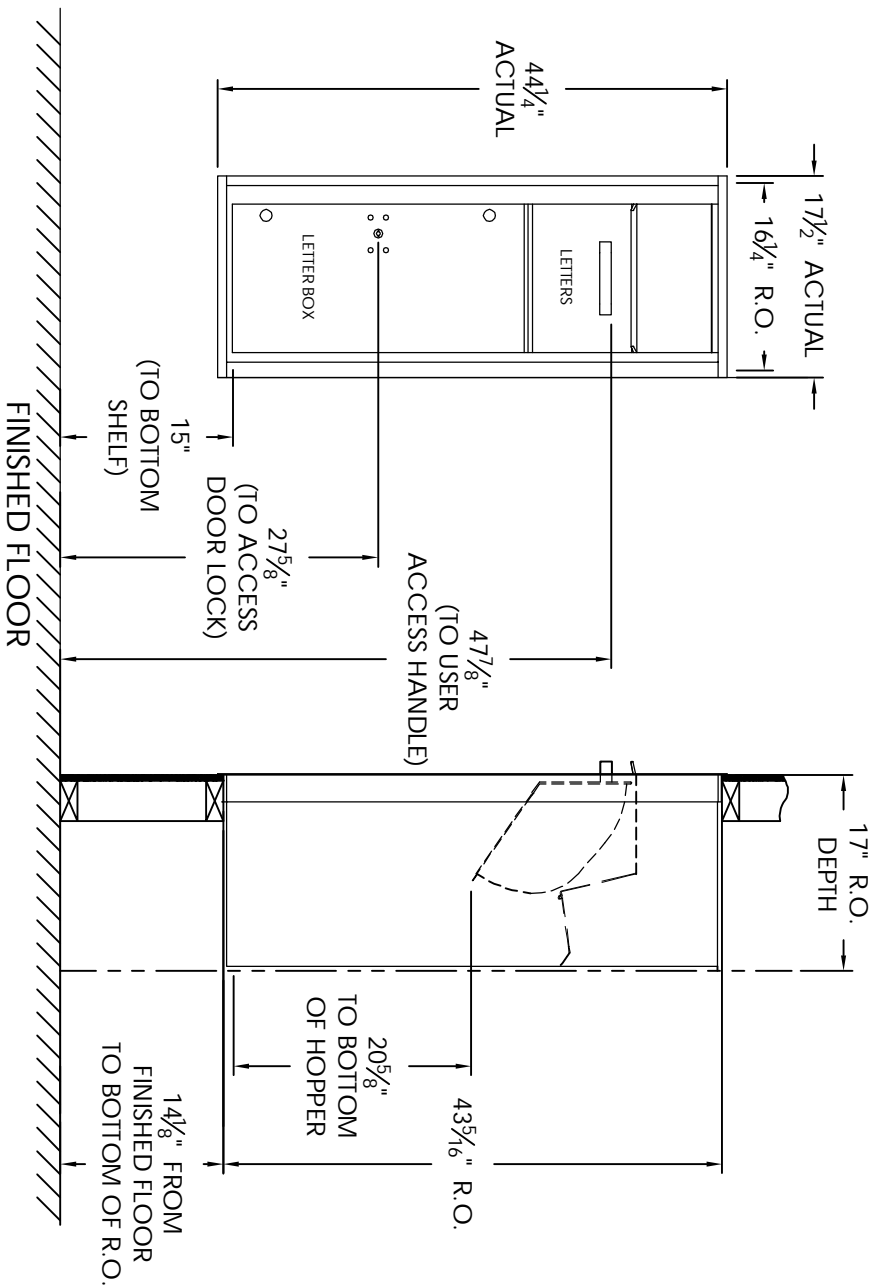


# Versatile™ 4C Collection Box, 4C12S-HOP



MAX BUNDLE SIZE			
HEIGHT	WIDTH	LENGTH	
4 1/4"	11 3/8"	6 1/4"	
3 1/2"	11 3/8"	11 1/2"	
3"	11 3/8"	14 3/4"	
2 1/2"	11 3/8"	14 3/4"	

- NOTES:
1. 4C Collection boxes are USPS Approved.
  2. Module may be recessed, surface, or pedestal mounted and coordinates with Florence versatile™ 4C mailbox modules, see installation manual for details.
  3. Collection Box compartment size is 20 5/8" H x 12" W x 15"D.
  4. Fixed top panel is for security purposes and is not usable.

PRODUCT SERIES: VERSATILE™ 4C COLLECTION BOX

**AF FLORENCE**  
**manufacturing company**  
 5935 Corporate Drive • Manhattan, KS 66503  
 www.florencemailboxes.com • (800) 275-1747  
 A GIBRALTAR INDUSTRIES COMPANY

MODEL	4C12S-HOP	REV	E
SCALE	NONE	LAST REV DATE	7/02/14
DRAWING NUMBER	4C12S-HOPCS	DRAWN BY	TNS