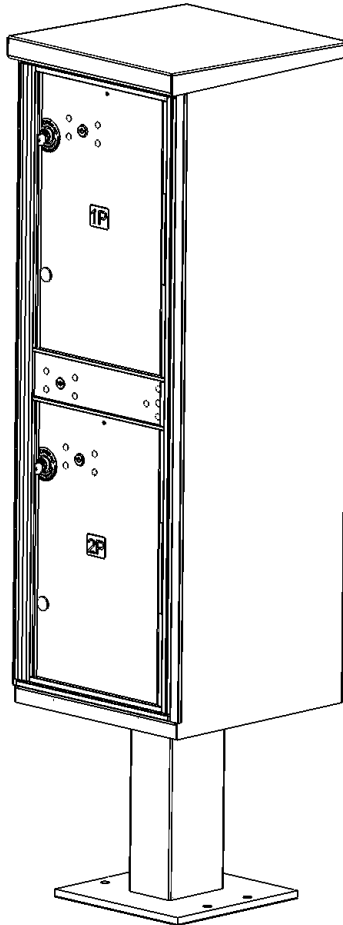


Maintenance Manual

Metal Outdoor Parcel Locker

Type I

1590 Series



AF FLORENCE
manufacturing company

5935 Corporate Drive • Manhattan, KS 66503
www.auth-florence.com • (800) 275-1747

A GIBRALTAR INDUSTRIES COMPANY 

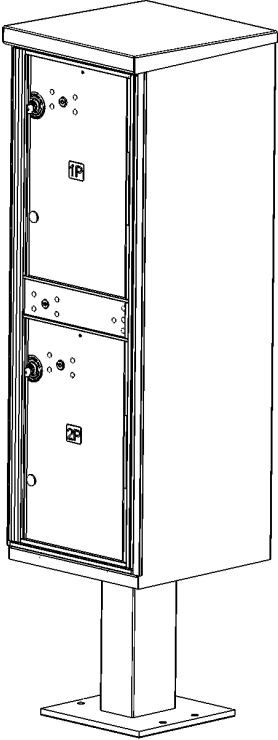
This page intentionally left blank.

Table of Contents

DESCRIPTION	PAGE
OPL Information	4
Security Tool Requirements	5
Replacement of Master Loading Door Hold Open Device	6
Removal of Insert Assembly	8
Replacement of Master Loading Door	10
Replacement of Hinge Rod	12
Replacement of Arrow Lock Door	14
Replacement of Parcel Door	16
Replacement of Arrow Lock	18
Replacement of Arrow Lock Latch / Release Handle	20
Replacement of Parcel Lock Assembly	22
Replacement of Parcel Door Spring	24
Replacement of Master Loading Door Slide Mechanism	26
Replacement of Pedestal	28
Number Placard Installation	30

OPL Information

Metal OPL Type I 1590 Series



1590T1AF

1590T1AF	
Installed Height	62"
Depth	17-7/8"
Width	15-7/8"
Weight (without Pedestal)	83 LBS
Weight (with Pedestal)	100 LBS
Quantity of Standard Compartments	0
Quantity of Parcel Compartments	2
Parcel Compartment Height	19.8"
Parcel Compartment Width	12.3"

Security Tool Requirements
Metal OPL Type I
1590 Series

IMPORTANT NOTICE FOR U.S.P.S. INSTALLERS

Installer must order McGard screw driver
(U.S.P.S. - MAIL EQUIPMENT SHOP PART NUMBER 110050)
to install and service the parcel door arrow lock cover
on the Florence OPL.

If the
McGARD SCREW DRIVER MES NO. 110050
needs to be ordered
It may be ordered by faxing an "off catalog" eBuy request to:

U.S.P.S. MAIL EQUIPMENT SHOP
FAX NO. (202) 281-2643



Questions? Call the U.S.P.S. Mail Equipment Shop at **(202) 281-2620**.

Replacement of Master Loading Door Hold Open Device

Metal OPL Type I

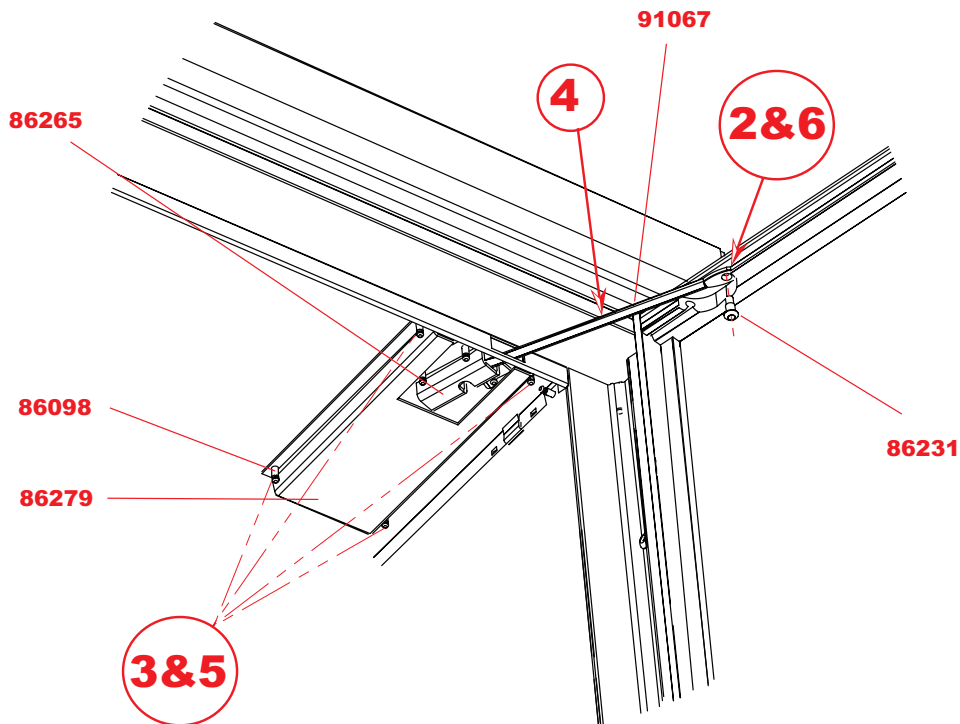
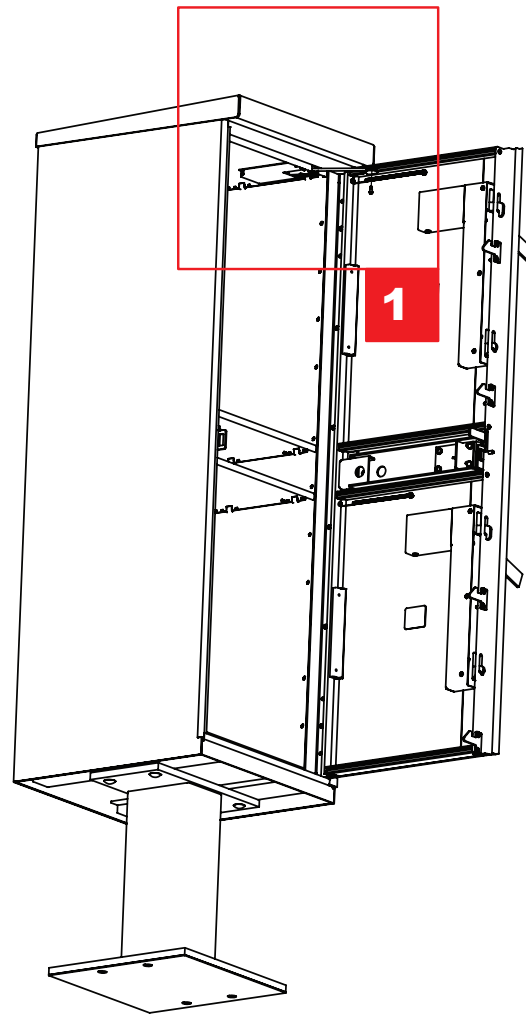
1590 Series

Note: This will require opening the master loading door. The local U.S.P.S. will need to be contacted to have unit opened.

- 1.** Open master loading door.
- 2.** **To disengage hold open device:**
Remove one (1) 86231 #6-32 x .187" Torx head shoulder screw.
- 3.** **To replace hold open device:**
Using an 1/8" drill bit, drill out seven (7) 86098 1/8" dia x .328 SS pop rivets that secure the guard and bracket and remove the 86279 hold open guard and the 86265 latch hold open bracket.
- 4.** Remove/replace 91067 hold open arm.
- 5.** Replace hold open guard and hold open bracket - replace seven (7) 86098 1/8" dia x .328 SS pop rivets.
- 6.** Place Reattach hold open arm with 86231 #6-32 x .187" Torx head shoulder screw.
- 7.** Close master loading door.

REQUIRED TOOLS		PART #	DESCRIPTION
Cordless drill		86098	1/8" Dia x .328" SS pop rivet
Portable pop rivet gun		86231	#6-32 X .187" Torx head shoulder screw
1/8" Drill bit		86265	Latch hold open bracket
Torx+ 15 screwdriver / bit		86279	Hold open guard
		91067	Hold open arm

Replacement of Master Loading Door Hold Open Device



Removal of Insert Assembly

Metal OPL Type I 1590 Series

Note: This will require opening the master loading door. The local U.S.P.S. will need to be contacted to have unit opened.

1. Open master loading door.

2. Disengage hold open device (see instructions page 6).

3. Remove twelve (12) 91123 #8-32 x .5" Torx button head screws from insert assembly.

4. Slide insert assembly out to make repairs to master loading door and lay flat on back on non-abrasive surface.

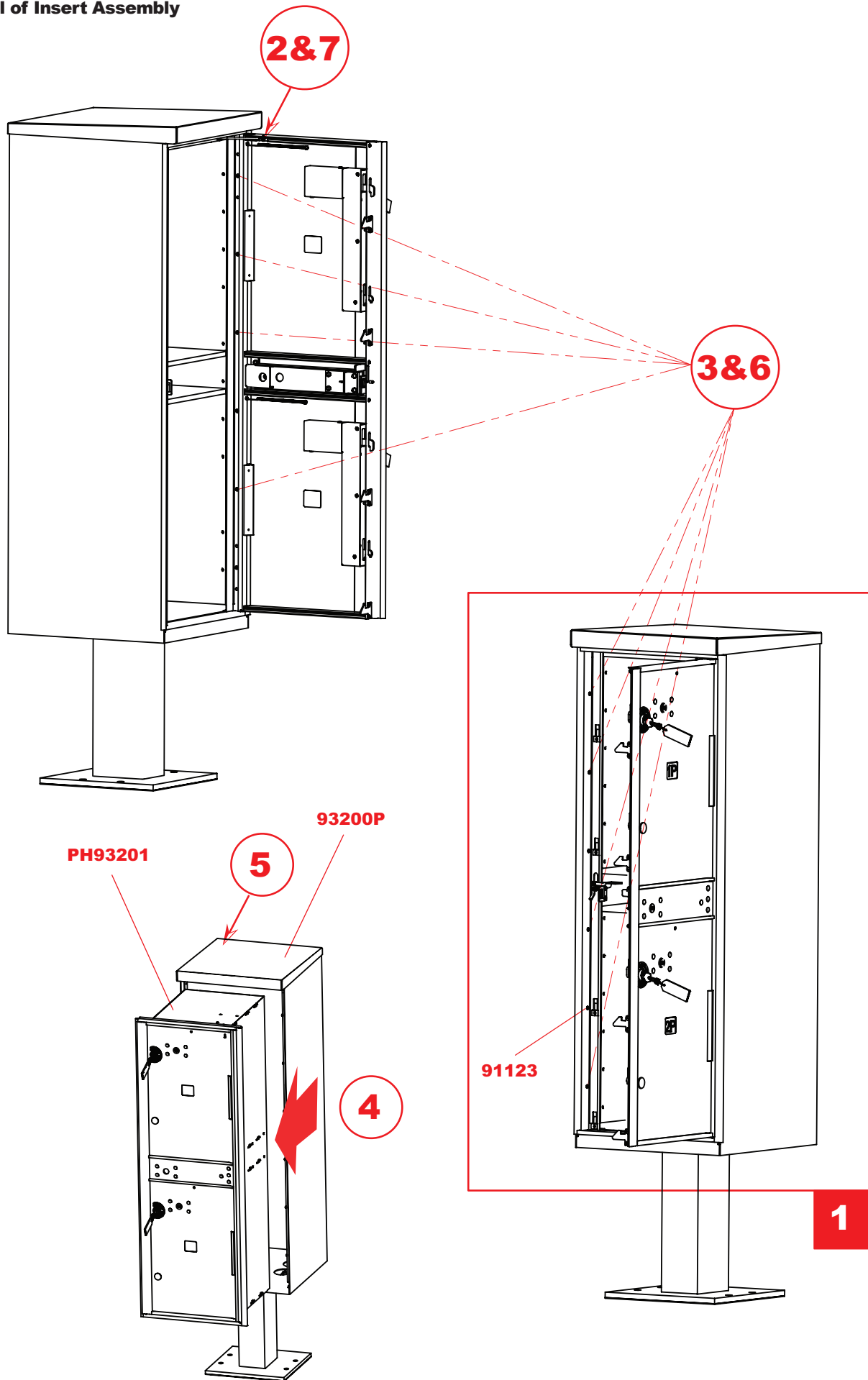
5. Replace with new or repaired insert assembly.

6. Replace twelve (12) 91123 #8-32 x .5" Torx button head screws from insert assembly.

7. Put master loading door at a 90° angle and replace hold open device and close master loading door (see instructions page 6).

<i>REQUIRED TOOLS</i>		<i>PART #</i>	<i>DESCRIPTION</i>
Portable drill		93200P	Cabinet assembly OPL
Torx+ 15 screwdriver / bit		PH93201	Insert assembly OPL
		91123	#8-32 X .5" Torx button head screw

Removal of Insert Assembly



Replacement of Master Loading Door

Metal OPL Type I

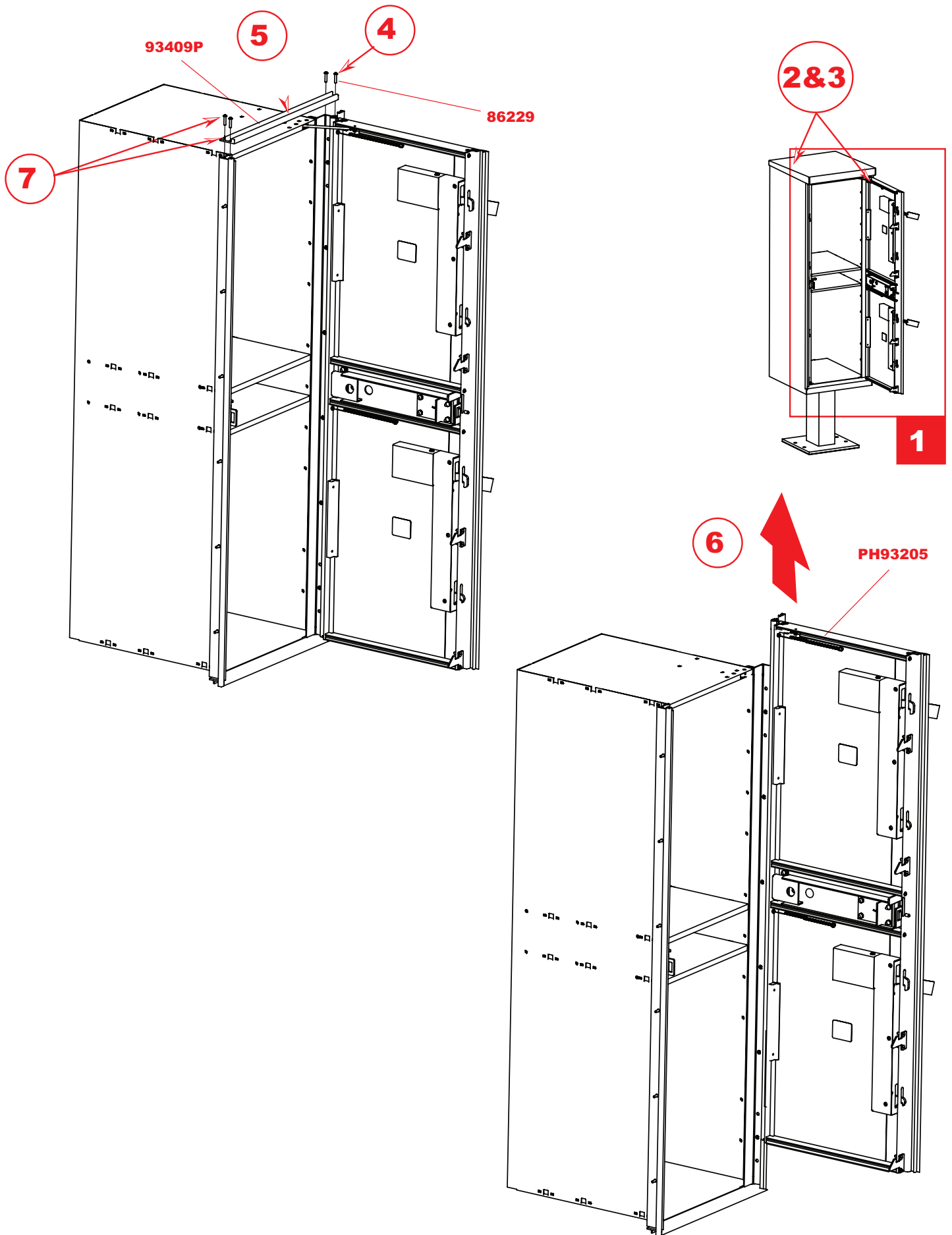
1590 Series

Note: This will require opening the master loading door. The local U.S.P.S. will need to be contacted to have unit opened.

- 1.** Open master loading door.
- 2.** Disengage hold open mechanism from top of master loading door (see instructions page 6).
- 3.** Remove insert assembly (see instructions page 8).
- 4.** Remove four (4) 86229 #8-32 x .75" pan head machine screws from top of unit.
- 5.** Remove one (1) 93409P top brace from the top of unit, exposing master loading door hinge.
- 6.** Slide master loading door up through top of insert assembly and replace with new master loading door.
- 7.** Close master loading door and replace one (1) 93409P top brace from the top of unit, concealing master loading door hinges. Replace four (4) 86229 #8-32 x .75" pan head machine screws.
- 8.** Replace insert assembly (see instructions page 8).
- 9.** Put master loading door at a 90° angle and replace hold open device and close master loading door (see instructions page 6).

REQUIRED TOOLS	PART #	DESCRIPTION
Torx+ 15 screwdriver / bit	86229	#8-32 x .75" Pan head screw
Portable drill	93409P	Top brace
Pliers	PH93202	Insert assembly w/o hardware

Replacement of Master Loading Door



Replacement of Hinge Rod

Metal OPL Type I

1590 Series

Note: This will require opening the master loading door. The local U.S.P.S. will need to be contacted to have unit opened.

6. Tap the hinge rod up and pull out with pliers from the top.



Warning: Once the hinge rod is removed, the Arrow Lock and parcel doors can fall out, potentially causing injury.

1. Open master loading door.

2. Disengage hold open device from top of master loading door (see instructions page 6).

7. Replace hinge rod by reversing steps 4-6.

3. Completely remove insert assembly (see instructions page 8).

8. Replace insert assembly (see instructions page 8).

4. Remove one (1) 86455 #10-32 hex lock nut.

9. Put master loading door at a 90° angle and replace hold open device and close master loading door (see instructions page 6).

5. With a hammer and 1/8" rod, from the top, tap the hinge rod down to dislodge the 91260 threaded insert at the bottom of the unit. Remove threaded insert from the bottom of hinge rod.

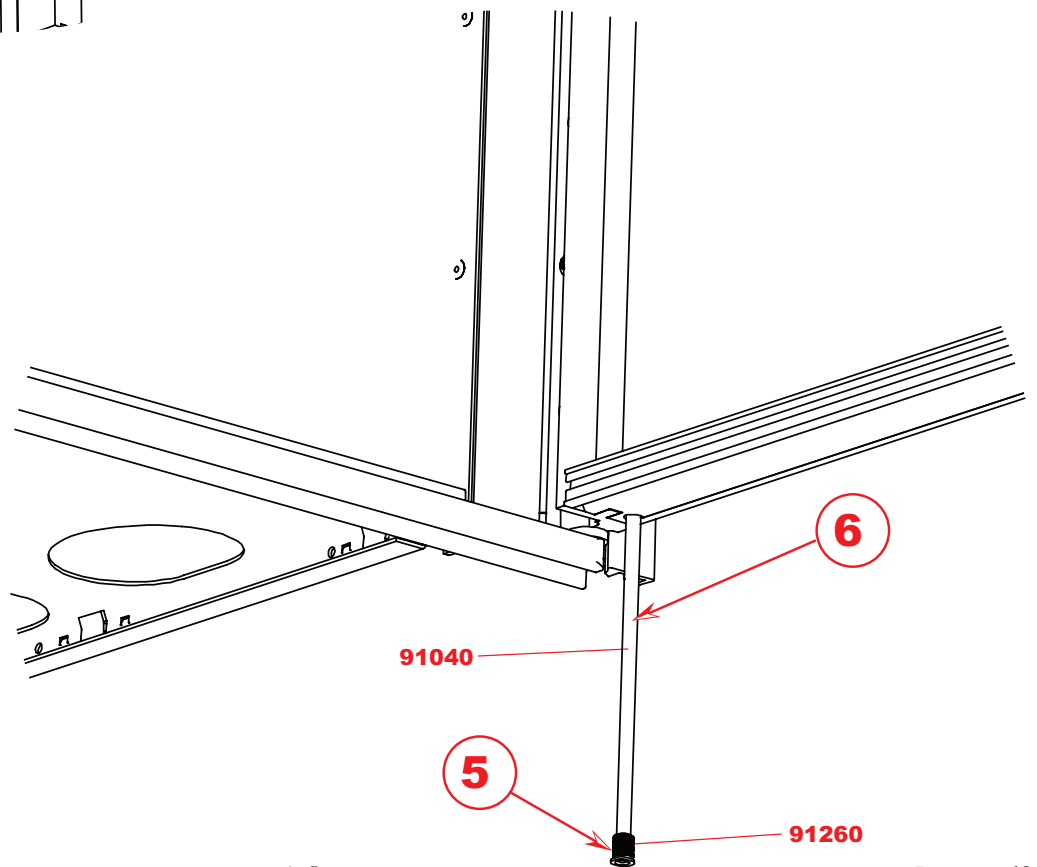
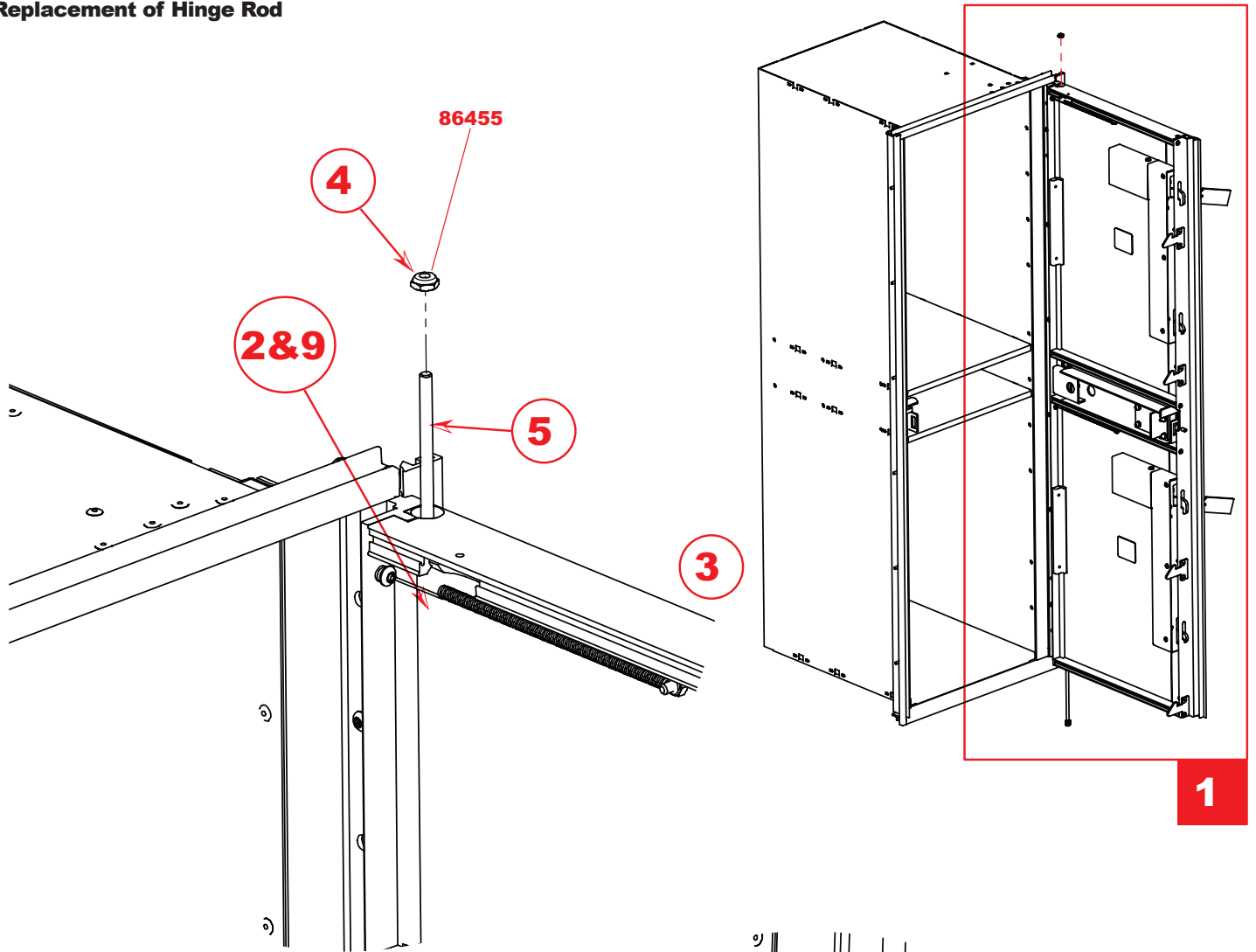
REQUIRED TOOLS

1/8" Rod
Plastic Mallet
Pliers
3/8" Socket wrench
Torx+ 15 screwdriver / bit

PART # DESCRIPTION

86455	#10-32 Hex lock nut
91040	Hinge rod OPL
91260	Threaded insert

Replacement of Hinge Rod



Replacement of Arrow Lock Door

Metal OPL Type I

1590 Series

Note: This will require opening the master loading door. The local U.S.P.S. will need to be contacted to have unit opened.

1. Open master loading door.

2. Disengage hold open device from top of master loading door (see instructions page 6).

3. Completely remove insert assembly (see instructions page 8).

4. Remove hinge rod only as far as necessary to remove the Arrow Lock door (see instructions page 12).

5. Replace K91118SP 3" Arrow Lock door.

6. Replace hinge rod (see instructions page 12).

7. Put master loading door at a 90° angle and replace hold open device and close master loading door (see instructions page 6).

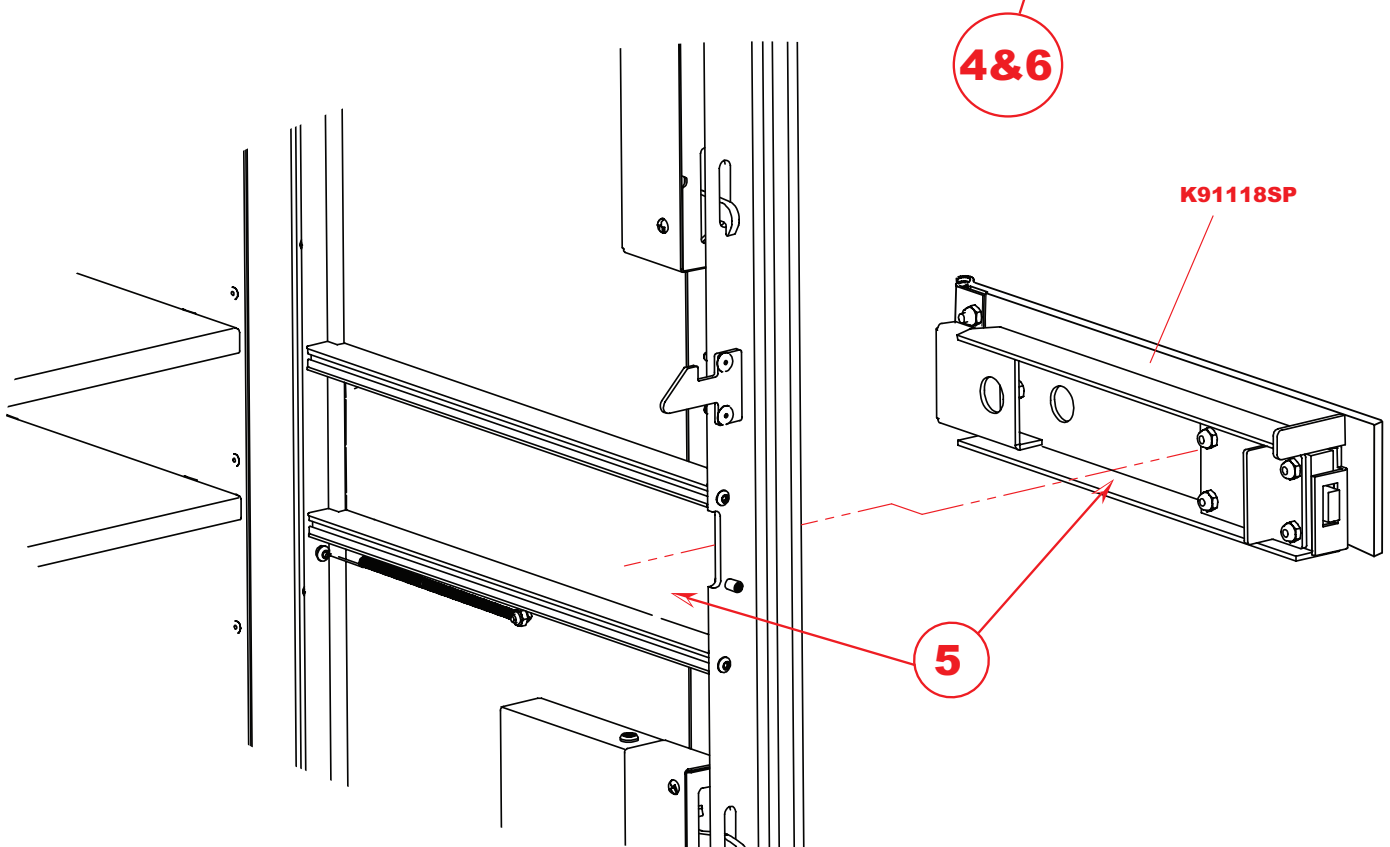
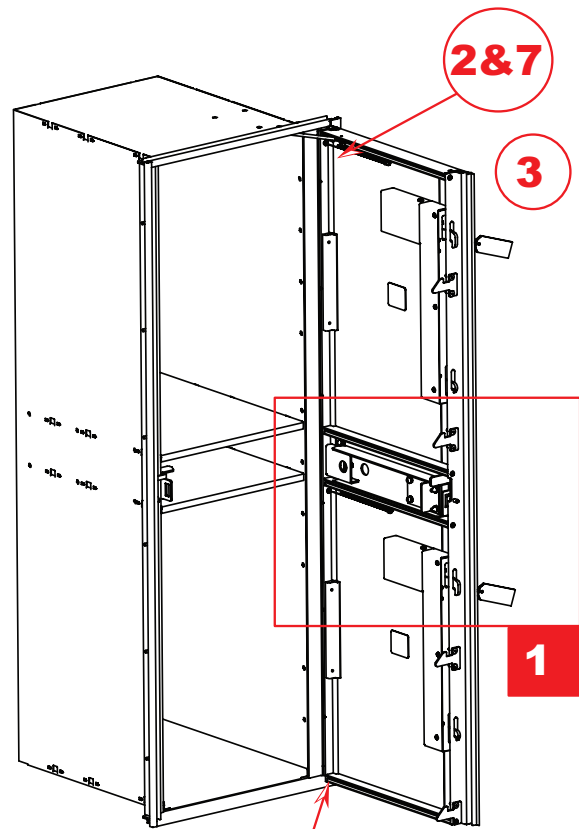
8. Install Arrow Lock (see instructions page 18).

 **Warning: Once the hinge rod is removed, the Arrow Lock and parcel doors fall out, potentially causing injury.**

REQUIRED TOOLS
1/8" Rod
Portable drill
Hammer
Torx+ 15 screwdriver / bit

PART #	DESCRIPTION
K91118SP	3" Arrow Lock door

Replacement of Arrow Lock Door



Replacement of Parcel Door

Metal OPL Type I

1590 Series

Note: This will require opening the master loading door. The local U.S.P.S. will need to be contacted to have unit opened.

- 1.** Open master loading door.
- 2.** Disengage hold open device from top of master loading door (see instructions page 6).
- 3.** Completely remove insert assembly (see instructions page 8).

Warning: Once the hinge rod is removed, the Arrow Lock and parcel doors fall out, potentially causing injury.

- 4.** Remove hinge rod only as far as necessary to remove the effected parcel door (see instructions page 12).

- 5.** Remove parcel door spring (see instructions page 24).

- 6.** Replace parcel door K93208SP.

- 7.** Replace parcel door spring (see instructions page 24).

- 8.** Replace hinge rod (see instructions page 12).

- 9.** Put master loading door at a 90° angle and replace hold open device (see instructions page 6).

- 10.** Install lock mechanism (if necessary - see page 22).

REQUIRED TOOLS

1/8" Rod
Portable drill
Hammer
Pliers
Torx+ 15 screwdriver / bit

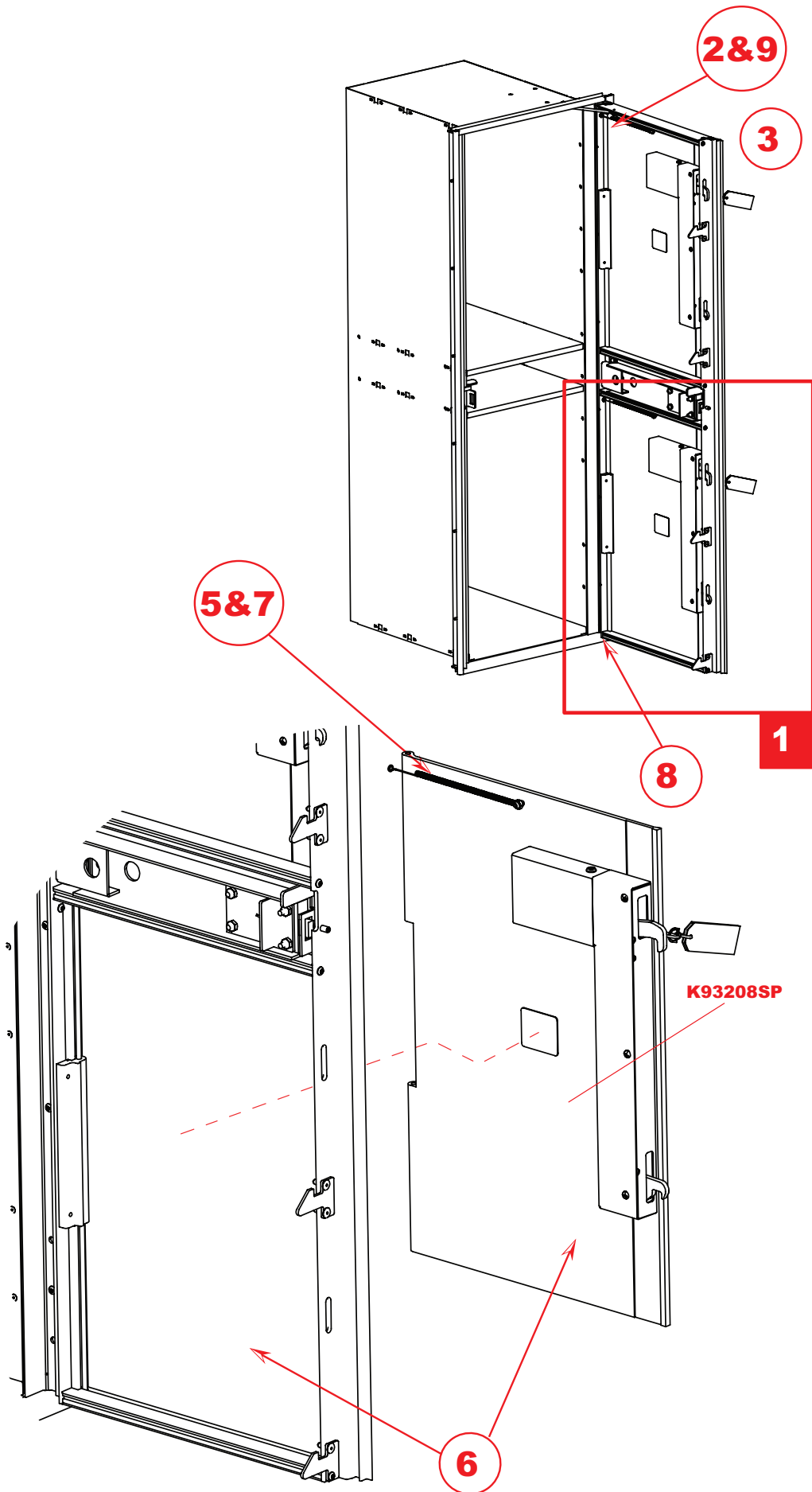
PART

DESCRIPTION

K93208SP

Parcel door assembly w/lock

Replacement of Parcel Door



Replacement of Arrow Lock

Metal OPL Type I

1590 Series

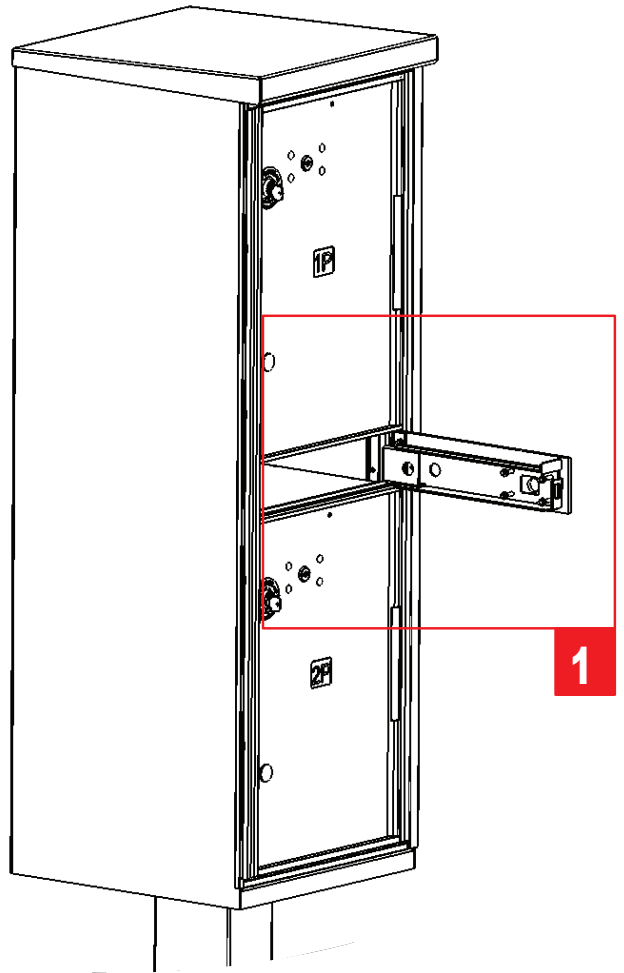
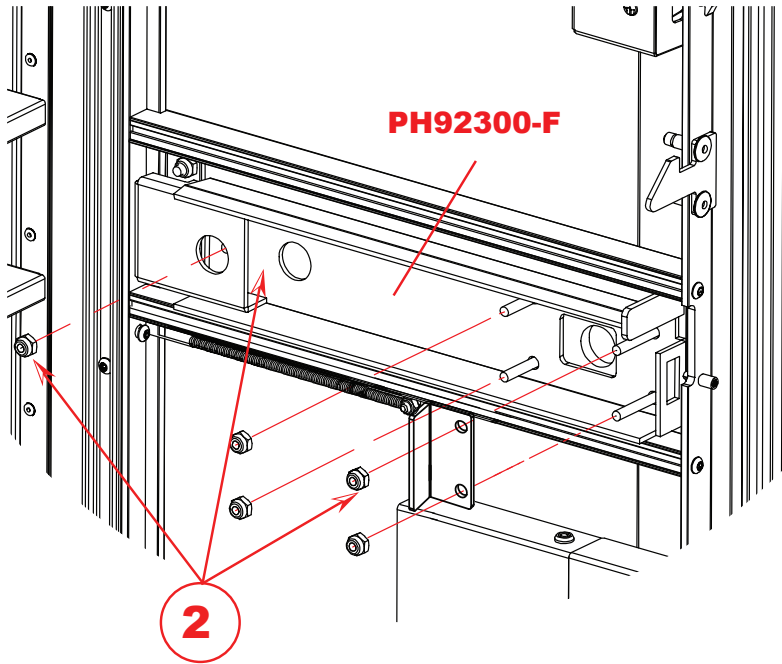
Note: This will require opening the master loading door. The local U.S.P.S. will need to be contacted to have unit opened.

- 1.** Open master loading door.
- 2.** Remove five (5) 86091 #10-32 lock nuts, as well as 92303 lock support plate.
- 3.** Place arrow lock into position.
- 4.** Install 92303 lock support plate as shown.
- 5.** Replace five (5) 86091 #10-32 lock nuts.

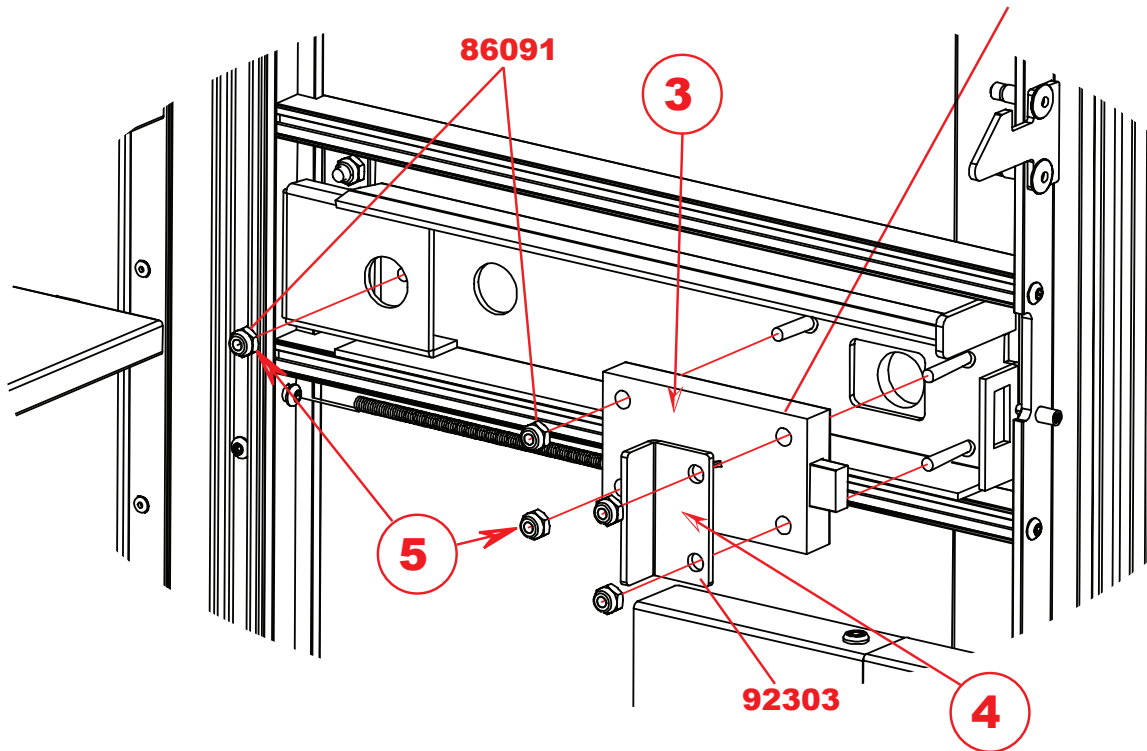
REQUIRED TOOLS
3/8" Socket wrench
Pliers

Part #	Description
86091	#10-32 Lock nut
92303	Lock support plate
PH92300-F	Arrow Lock security bracket
	Arrow lock
K92300	Kit Arrow Lock Security Bracket (Includes lock nuts, lock support plate & security bracket)

Replacement of Arrow Lock



**ARROW LOCK
(PROVIDED BY U.S.P.S.)**



Replacement of Arrow Lock Latch / Release Handle

Metal OPL Type I

1590 Series

Note: This will require opening the master loading door. The local U.S.P.S. will need to be contacted to have unit opened.

3. To replace Arrow Lock Latch:
A. Drill out two (2) 91057 3/16" dia x .55" SS pop rivets with 3/16" Drill bit.

B. Replace 91063 lock bracket - replace two (2) 91057 3/16" dia x .55" SS pop rivets.

C. Check for fit/function.

1. Open master loading door.

2. To replace Release Handle:
A. Remove two (2) 64247 #8-32 x .75" button head screws with Torx wrench.

B. Remove 64246 master loading door release handle - replace with new master loading door release handle.

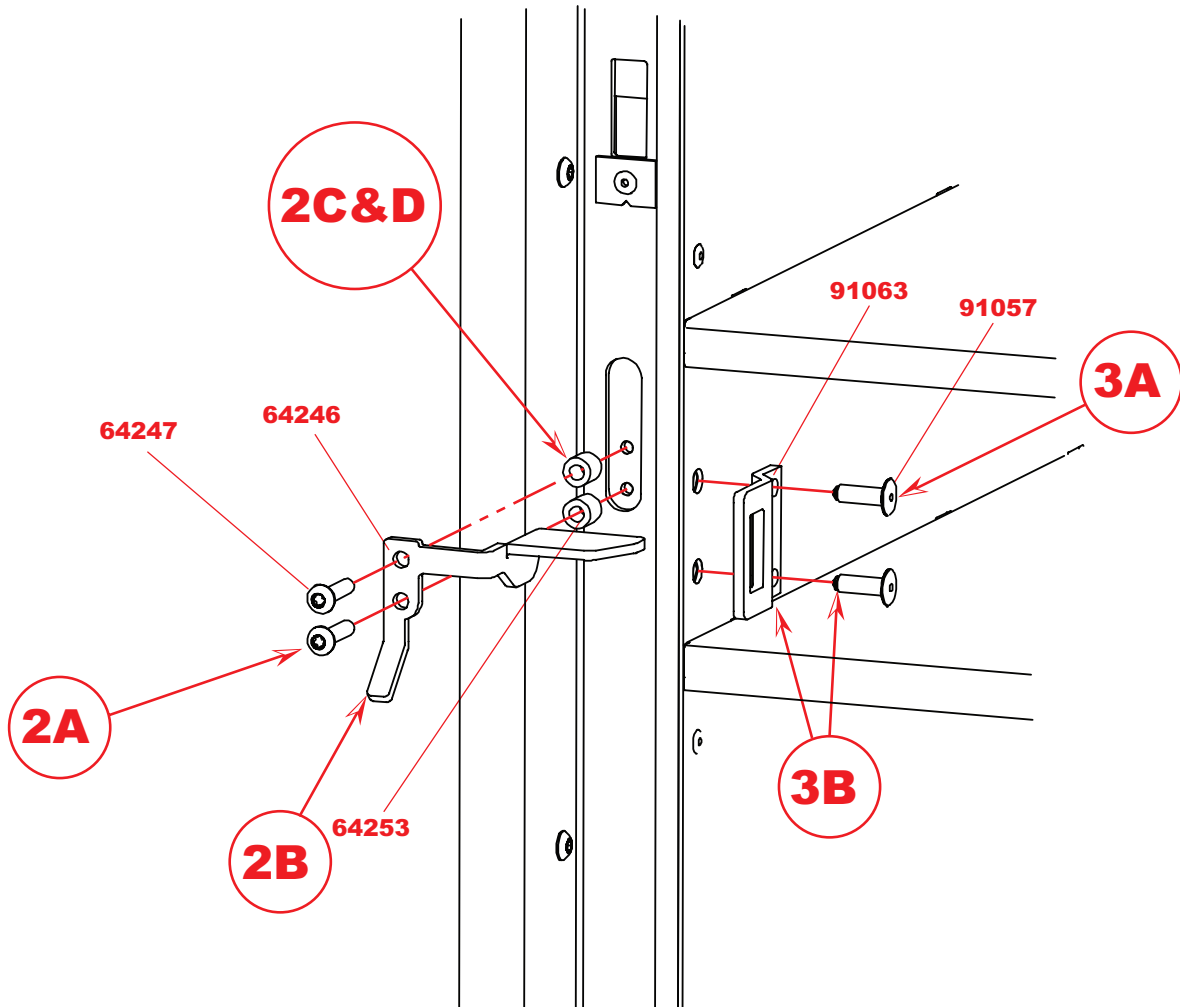
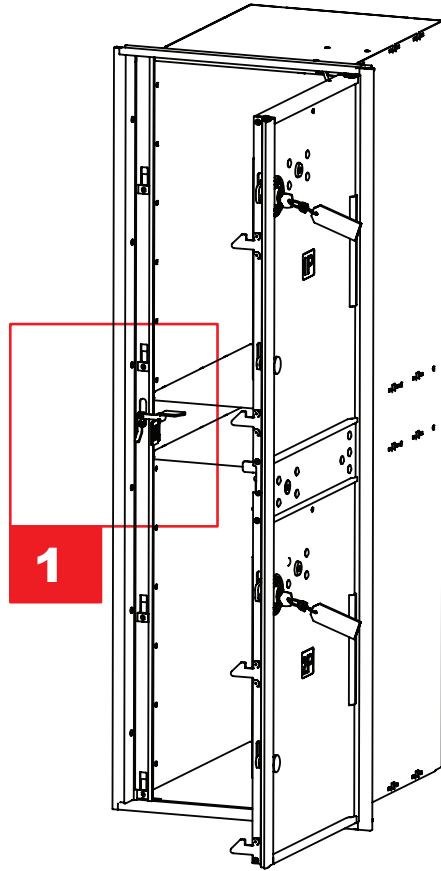
C. Replace two (2) 64253 spacers.

D. Align with mounting holes and replace two (2) #8-32 x .75" button head screws.

E. Check for fit/function.

REQUIRED TOOLS	PART #	DESCRIPTION
Torx+ 15 bit / wrench	64247	#8-32 X .75" button head screw
Portable drill	64246	Master loading door release handle
3/16" Drill bit	64253	Spacer
Portable pop rivet gun	91057	3/16" Dia x .55" SS pop rivet
	91063	Lock bracket

Replacement of Arrow Lock Latch / Release Handle



Replacement of Parcel Lock Assembly

Metal OPL Type I

1590 Series

1. Open parcel door.

2. **To remove/replace latching assembly cover:**

A. Remove or replace 64215-SS latching assembly cover using three (3) 84995 #10-32 x .25" tamper proof screws using One-Way Screw Removal Tool.

B. Replace 64215-SS latching assembly cover using three (3) 84995 #10-32 x .25" tamper proof screws.

3. **To remove/replace Arrow Lock cover:**

A. Remove or replace 64216-SS Arrow Lock cover using two (2) 84993 #10-32 x .312" McGard screws using McGard screw driver.

B. Replace 64216-SS Arrow Lock cover using two (2) 84993 #10-32 x .312" McGard screws.

4. **To remove/replace cam assembly:**

A. Remove one (1) 1/4-20 lock nut.

B. Remove one (1) 91620 3/8-24 hex nut and one (1) 91601 washer.

C. Replace one (1) 1/4-20 lock nut (included in K91910).

D. Replace one (1) 91620 3/8-24 hex nut and one (1) 91601 washer.

REQUIRED TOOLS
Flat head screwdriver/bit
McGard screw driver
3/8" Socket wrench
1/2" Socket wrench
9/16" Socket wrench
7/8" Socket wrench
One-Way Screw Removal Tool

5. **To remove/replace Arrow Lock:**

A. Remove four (4) 86455 10-32 lock nuts and remove Arrow Lock.

B. Replace Arrow Lock securing with four (4) 86455 10-32 lock nuts.

6. **To remove/replace Customer lock:**

A. Remove one (1) 1/4-20 nut and one (1) clip (included in K91910), remove lock.

B. Replace lock - replace one (1) 1/4-20 lock nut and one (1) clip (included in K91910).

Note: The parcel door bearing, nut and Arrow Lock bolts and parcel door bolster are supplied with the parcel door.

PART #	DESCRIPTION
64215-SS	Latching assembly cover
84995	#8-32 X .25" SS tamper proof screw
86455	#10-32 Lock nut
1/4-20 nut	1/4-20 Lock nut (included in K91910)
91620	3/8-24 Hex nut
91601	Washer
K64213-A	Parcel lock cam kit
K91910	Customer door lock kit
Clip	Clip (included in K91910)
64216-SS	Arrow lock cover
84993	#10-32 X .312" McGard screw
91092	Parcel door bearing
91099	Parcel door bearing nut
93214	Door bolster
93213	Arrow lock stiffener plate
K64216-SS	Parcel lock cover kit with hardware
K64213-SS	Parcel lock kit with lock kit, cam kit and cover kit

Replacement of Parcel Door Spring

Metal OPL Type I 1590 Series

- 1.** Open parcel door.

- 2.** Remove one (1) 86092 #8-32 lock nut from top back of parcel door.

- 3.** Remove one (1) 91128 #8-32 x .375" Torx head screw from vertical frame member and remove spring.

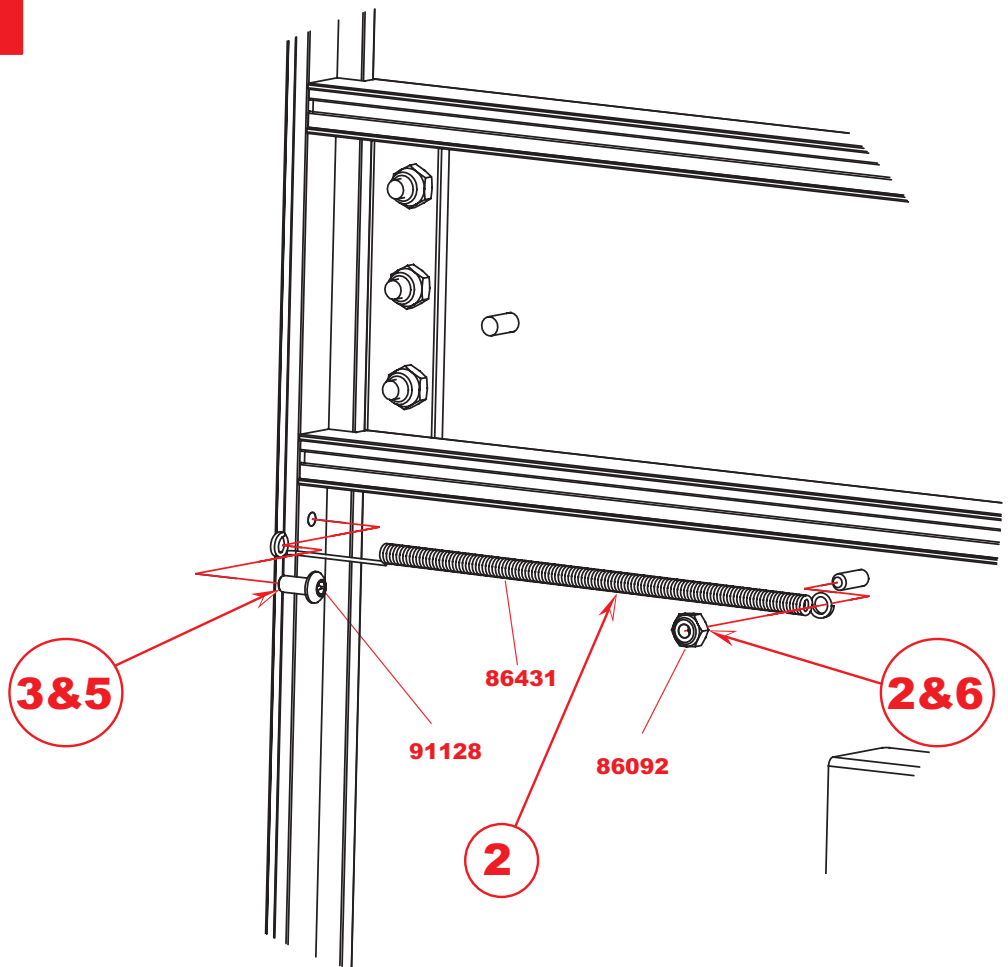
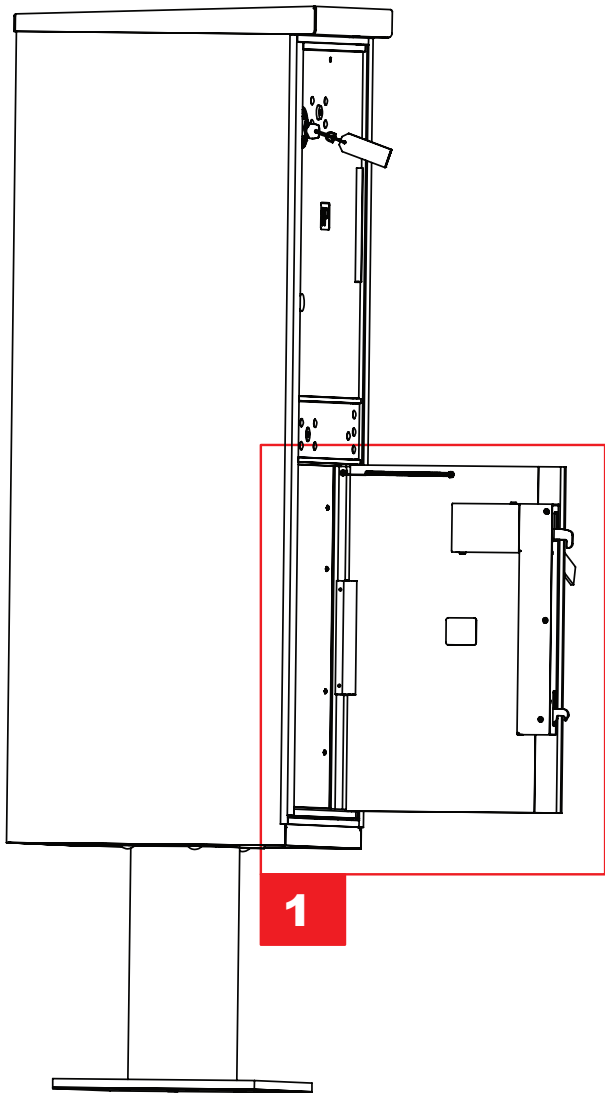
- 4.** Replace 86431 parcel door spring with straight end of spring toward the vertical frame member.

- 5.** Place one (1) 91128 #8-32 x .375" Torx head screw through spring and into the vertical frame member.

- 6.** Place spring over stud on top back of parcel door and fasten down with one (1) 86092 #8-32 lock nut.

REQUIRED TOOLS	PART #	DESCRIPTION
Torx+ 15 bit / wrench	86092	#8-32 Lock nut
3/8" Socket wrench	86431	Parcel door spring
	91128	#8-32 X .375" Torx head screw

Replacement of Parcel Door Spring



Replacement of Master Loading Door Slide Mechanism

Metal OPL Type I

1590 Series

Note: This will require opening the master loading door. The local U.S.P.S. will need to be contacted to have unit opened.

1. Open master loading door.

2. Remove insert from cabinet (see instructions page 8).

3. Disengage hold open device from top of master loading door (see instructions page 6).

4. Using an 1/8" drill bit, drill out four (4) 86098 1/8" dia x .328" SS pop rivets down the slide mechanism and remove four (4) 64245 wear plates.

5. Remove master loading door release Handle (see instructions page 20).

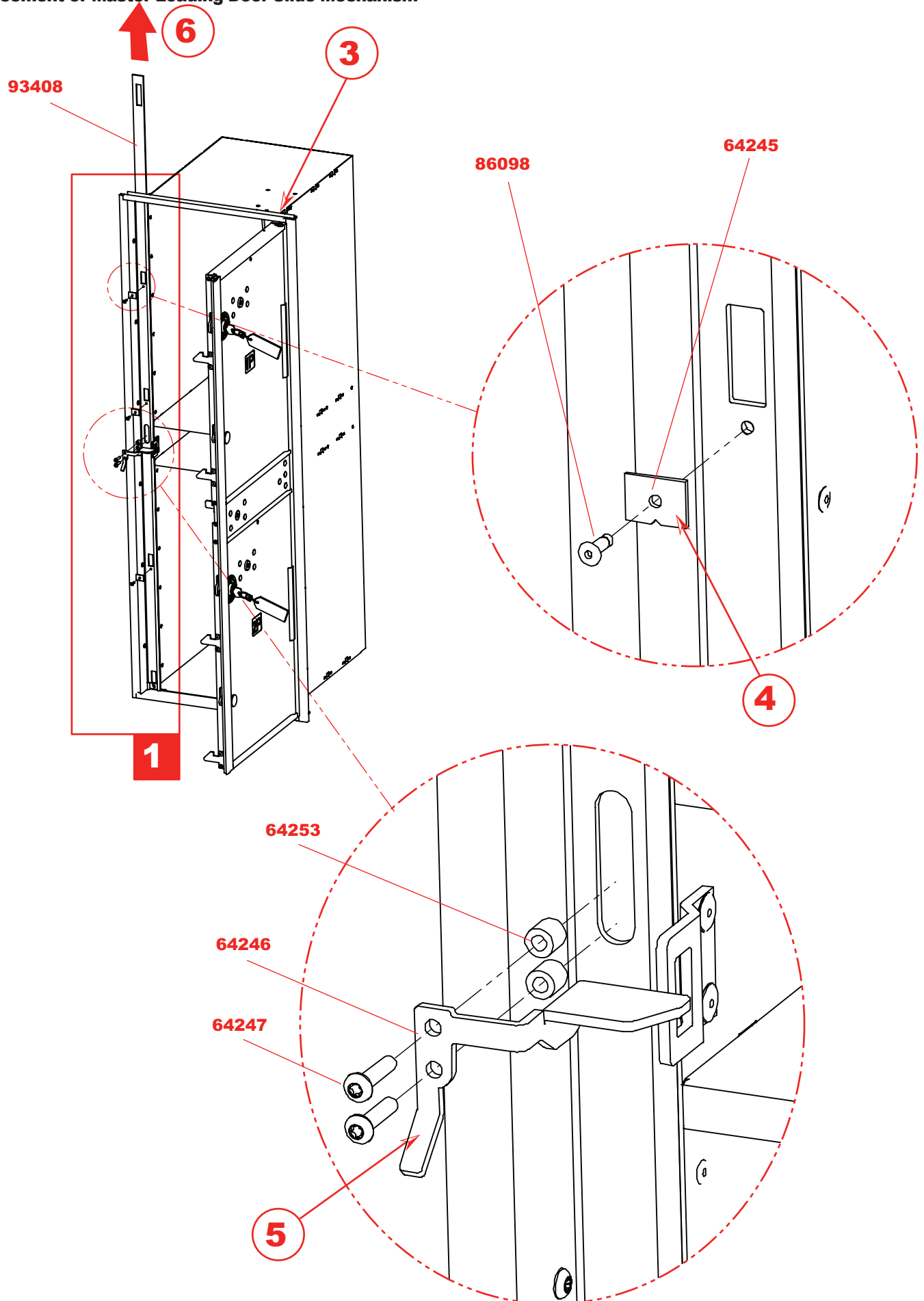
6. Removed slide from the top of the insert assembly.

7. Replace slide mechanism and reverse steps 1-6.

REQUIRED TOOLS
Cordless drill
Portable pop rivet gun
1/8" Drill bit
Torx+ 15 screwdriver / bit

PART #	DESCRIPTION
86098	1/8" Dia x .328" SS pop rivet
91037	Wear plate
93408	Slide mechanism for OPL
PH93203	Complete slide mechanism with housing, slide, handle and wear plates

Replacement of Master Loading Door Slide Mechanism



Replacement of the Pedestal

Metal OPL Type I 1590 Series



Warning: Unit is top-heavy. Care should be taken to properly support unit when removing mounting nuts and bolts to avoid possible serious injury.

Note: This will require opening the master loading door. The local U.S.P.S. will need to be contacted to have unit opened.

5. Place OPL on a safe and secure surface and unbolt pedestal from ground.

6. To replace OPL assembly, reverse steps 1-5. Torque pedestal-to-cabinet nuts to 22 FT-LBs.

1. Open master loading door.

2. Remove 91079 floating shelf by pulling out from lip of shelf, exposing mounting holes.

3. From inside parcel compartments, remove four (4) 86089B 3/8-16 hex nuts and remove four (4) 86097 3/8" x .688" OD lock washer.

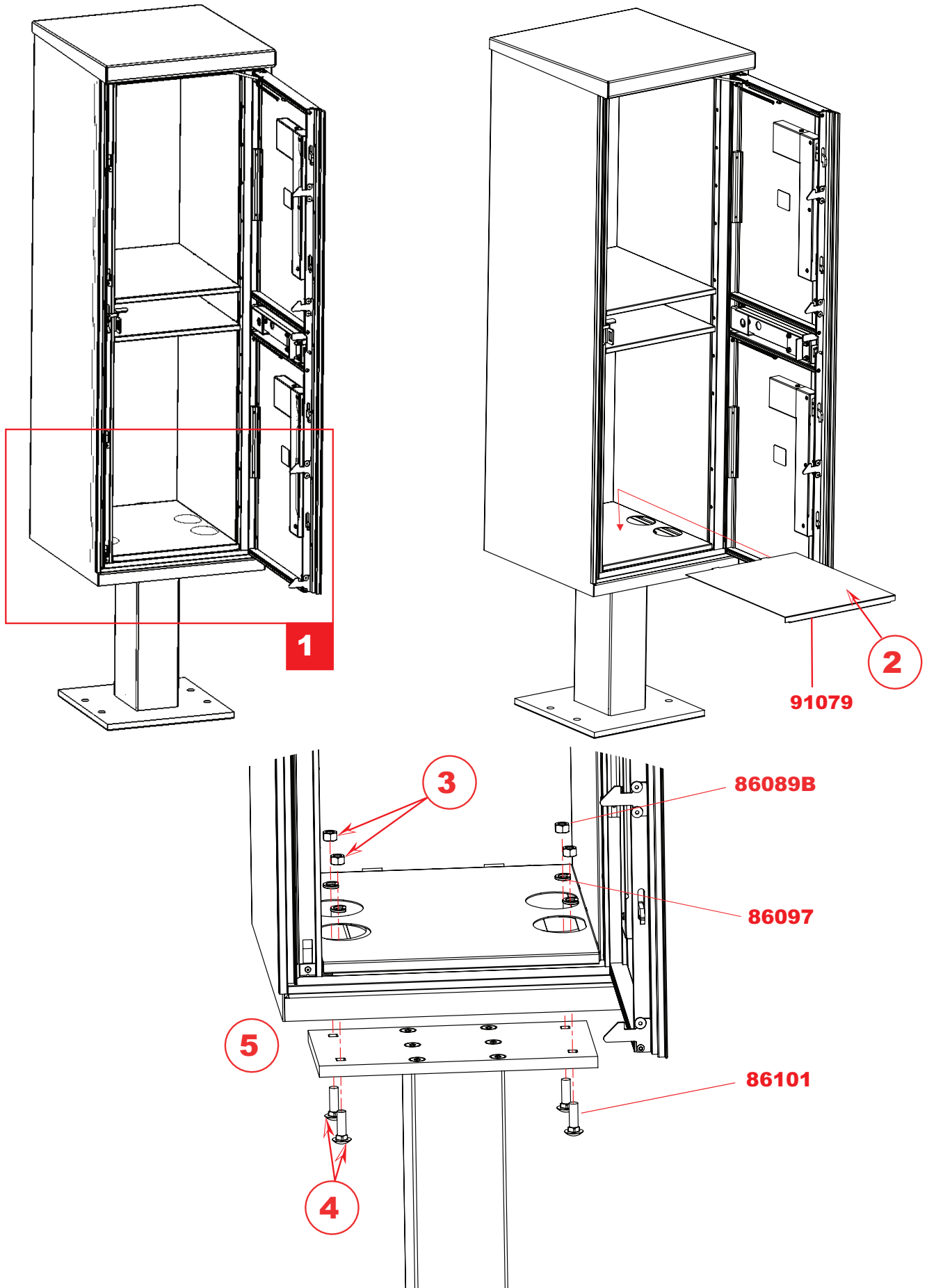
4. From underneath unit, remove four (4) 86101 3/8-16 x 1.25" carriage bolts.

PART #	DESCRIPTION
91079	Floating shelf
91121	Pedestal
86101	3/8-16 X 1.25" Carriage bolt
86097	3/8" X .688" OD lock washer
86089B	3/8-16 Hex nut
K86101-F	Kit hardware pedestal to unit mounting (includes carriage bolts, lock washers and hex nuts)

REQUIRED TOOLS

9/16" Socket wrench

Replacement of the Pedestal



Number Placard Installation

Metal OPL Type I

1590 Series

Note: If you desire to use placards other than provided '1P' and / or '2P', you can order different numbers from your local authorized Florence Dealer. The options range from '1P' to '99P'.

1. Remove existing placard from door and clean the surface of remaining adhesive.

Note: Florence recommends the cleaning of the parcel door with a soft cloth dampened with any mild detergent or properly diluted biodegradable, water-based cleaner, such as Simple Green™.

The use of petroleum-based solvents, ammonia, harsh abrasive cleaners, or scrubbing sponges in **NOT** recommended, as this may damage the door surface.

2. Remove adhesive cover on back of new placard and place appropriate number placard in door emboss.

Note: to adhere to Postal Regulations, place the lower number placard on the top parcel door.

3. For each of the (3) three 86159 key tags per door clearly print the door placard number in space indicated on tag.

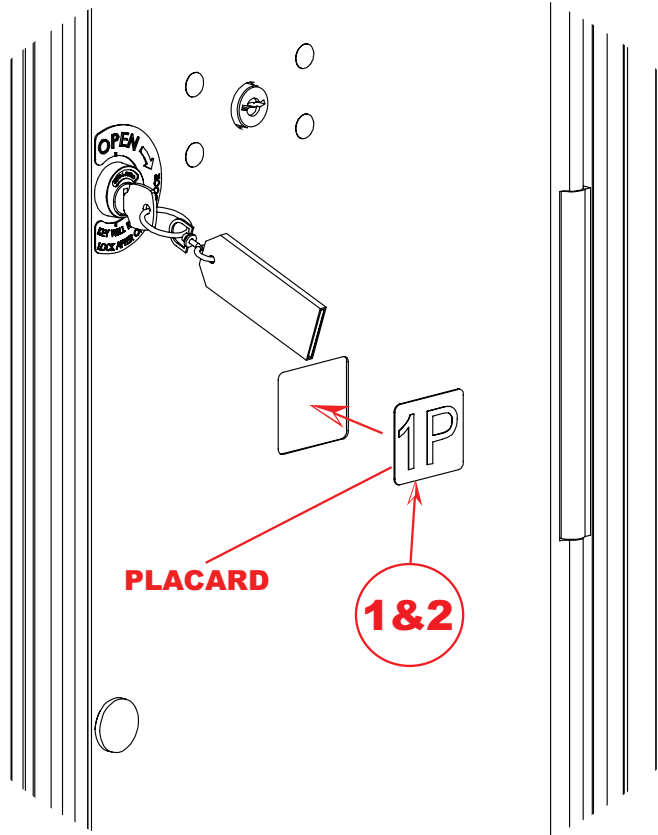
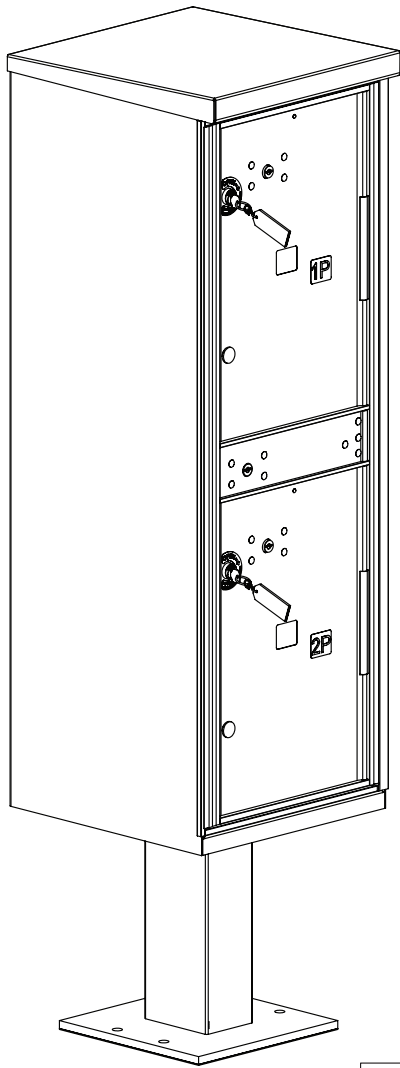
4. Check key operation for door and place 86159 marked key tags in each of the corresponding 86160-3 plastic key rings as indicated.

PART #	DESCRIPTION
91511-1P	Number placard '1p'
91511-2P	Number placard '2p'
91516	Individual number placard '3p' - '99p'
86159	1 Key tag
86160-3	3 Key ringed tag holders
K86160	Kit tag holders w/ tags (Includes three key ringed tag holders and three key tags)

REQUIRED TOOLS

Permanent fine tipped pen

Number Placard Installation

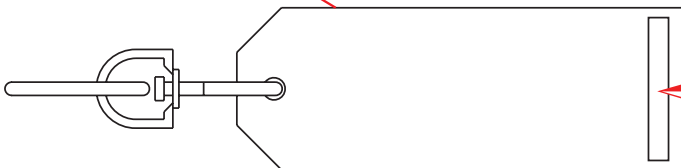


86159

POSTAL CUSTOMER: YOU HAVE MAIL IN RECEPTACLE # . PLEASE UNLOCK THE TOP LOCK AND REMOVE MAIL. KEY WILL BE RETAINED IN THE LOCK.

3

86160-3



POSTAL CUSTOMER: YOU HAVE MAIL IN RECEPTACLE # . PLEASE UNLOCK THE TOP LOCK AND REMOVE MAIL. KEY WILL BE RETAINED IN THE LOCK.

4