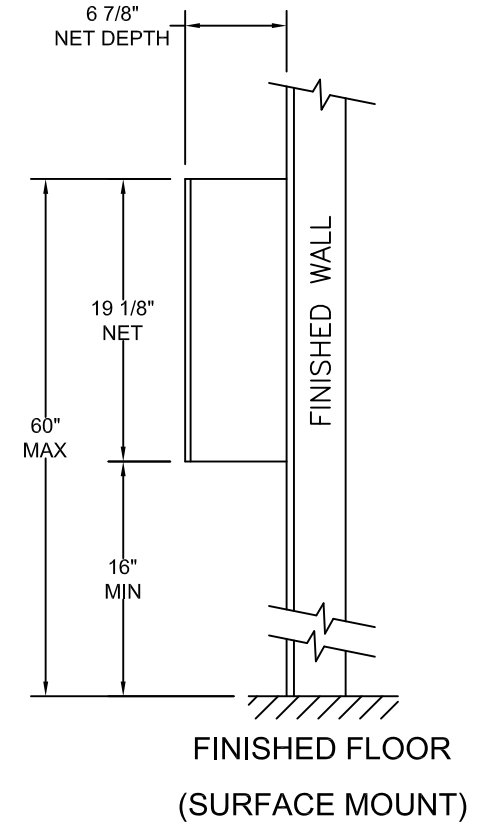
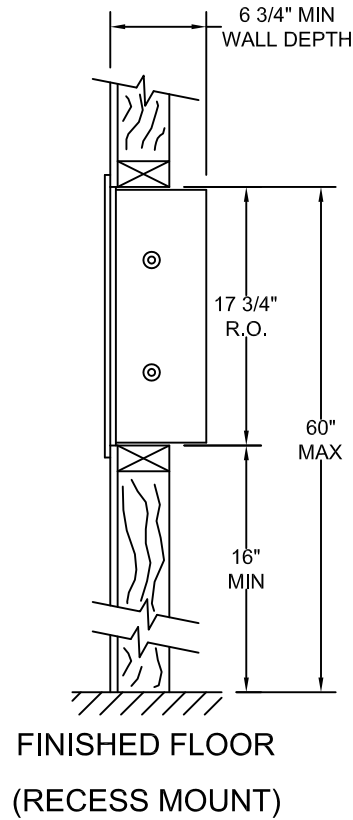
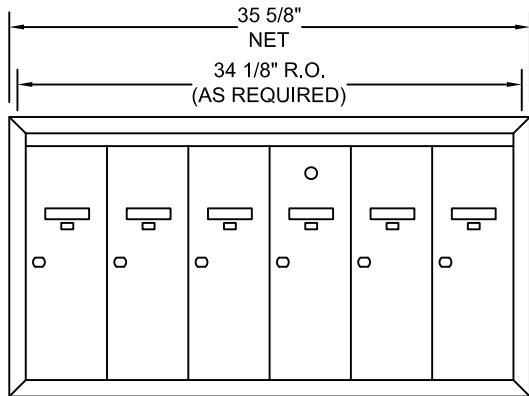



1250-6 VERTICAL STYLE MAILBOX



NOTES:

1. (1) 1250-6 SERIES ALUMINUM CABINET WITH (5) STANDARD SIZE DOORS (16"H X 5 1/2"W), AND (1) STANDARD SIZE MASTER DOOR PREPARED FOR POSTAL MASTER LOCK.
2. CLEAR ANODIZED FINISH.
3. 5-PIN CYLINDER CAM TYPE LOCK WITH (2) KEYS EACH.
4. TENANT NAME CARD HOLDER ON EACH DOOR.
5. RECESSED MOUNT (NO COLLAR REQUIRED).
6. PRIVATE MASTER LOCK OPTION.
7. SURFACE MOUNT OPTION.

PRODUCT SERIES:		1250-6 VERTICAL STYLE MAILBOX		
FLORENCE  CORPORATION <small>5935 Corporate Drive • Manhattan, KS 66503 800.275.1747 • www.florencemailboxes.com</small>	MODEL	1250-6	REV	D
	SCALE	NONE	LAST REV DATE	04/25/2018
	DRAWING NUMBER	CS5049	DRAWN BY	RAK