



H35 A-Frame Mounting Adapter Motorcycle Top & Side Racks DSL.H35.503

Thank you for choosing DrySpec

We know you would rather be riding your bike than wrenching on it, so we go the extra mile to make sure our instructions are clear and as easy to understand as possible. If you have any questions, comments, or suggestions don't hesitate to give our gear experts a call at 401.360.2551 or visit WWW.DRYSPEC.COM

Please Read Before Installing

DRYSPEC products should always be installed by a qualified motorcycle technician. If you are unsure of your ability to properly install a product, please have the product installed by your local motorcycle dealer. DENALI takes no responsibility for damages caused by improper installation. **Caution:** When installing electronics it is extremely important to pay close attention to how wires are routed, especially when mounting products to the front fender, front forks, or fairing of your motorcycle. Always be sure to turn the handlebars fully left, fully right, and fully compress the suspension to ensure the wires will not bind and have enough slack for your motorcycle to operate properly.

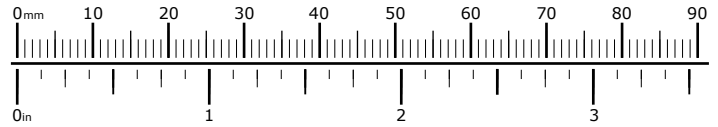
Installation Tips

We strongly recommend using medium strength liquid thread locker on all screws, nuts, and bolts. It is also important to ensure that all hardware is tightened to the proper torque specifications as listed in your owner's manual. For included accessory hardware please refer to the default torque specifications provided below. Inspect all hardware after the first 30 miles to ensure proper torque specifications are maintained.

Bolt Size	in-lbs	ft-lbs	Nm
M3	10.0 in-lbs	-	1.0 Nm
M4	23.0 in-lbs	-	2.5 Nm
M5	44.5 in-lbs	3.5 ft-lbs	5.0 Nm
M6	78.0 in-lbs	6.5 ft-lbs	9.0 Nm
M8	-	13.5 ft-lbs	18.0 Nm
M10	-	30.0 ft-lbs	41.0 Nm
M12	-	52.0 ft-lbs	71.0 Nm

Hardware Sizing Guide

Not sure what size bolt you have? Use this ruler to measure screws, bolts, spacers, etc. Remember, the length of a screw or bolt is measured from the start of the "mounting surface" to the end of the screw, so only include the screw head when measuring countersunk screws.



What's In The Box?

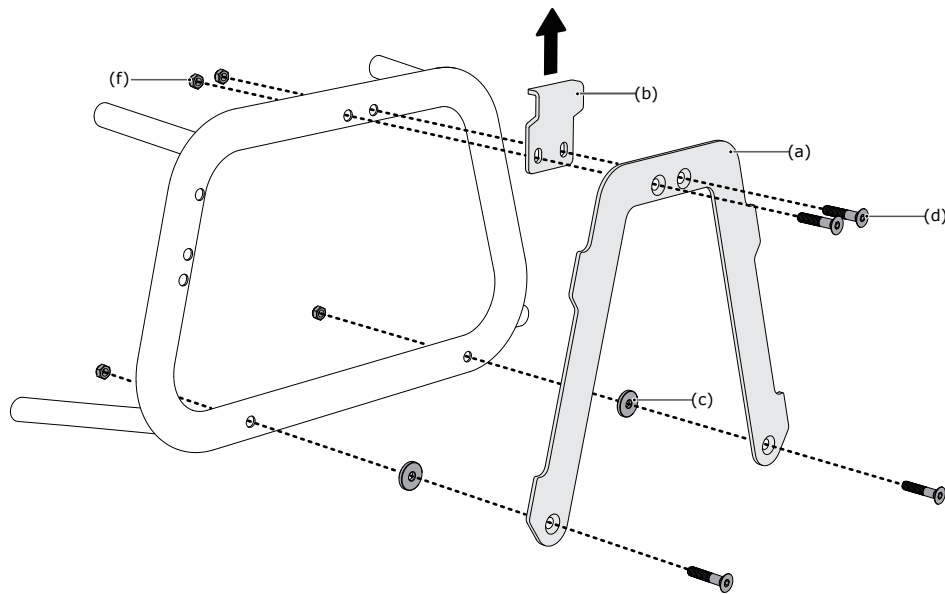


Kit Contents

- (a) A-Frame Mounting Adapter.....Qty 1
- (b) Catch.....Qty 1
- (c) Spacer.....Qty 2
- (d) M6x30 DIN 7991.....Qty 4
- (e) M6x16 DIN 7991.....Qty 4
- (f) M6 Lock Nut DIN 985.....Qty 4

1. A-Frame Adapter Installation, Side Rack

DRYSPEC.COM



1.1 - Installing The A-Frame Adapter

The A-Frame Mounting Adapter is the foundation of the A-Lock™ Mounting System. The H35 case latch and stainless mounting bushing lock onto this adapter effortlessly to create a heavy duty quick release connection to the vehicle racks.

Step One: Starting with the lower two mounting points, use the supplied M6x30 bolts (d), Spacers (c) and M6 Nuts (f) to attach the A-Frame (a) to the side rack. Do NOT fully tighten the mounting hardware at this time.

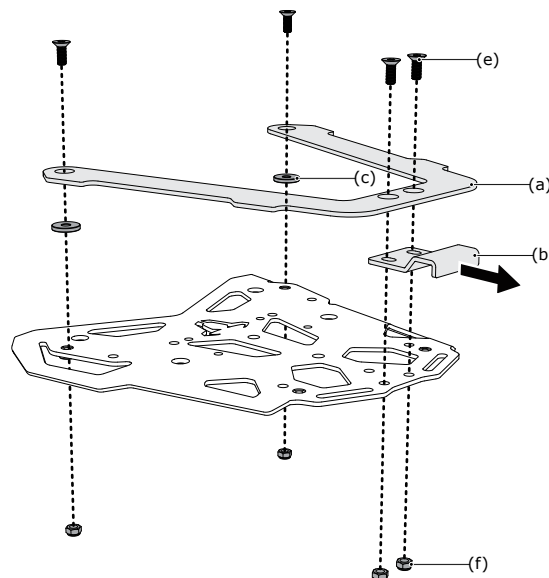
Step Two: Next for the upper mounting points, use the supplied M6x30 bolts (d) and M6 Nuts (f) to attach the A-Frame (a) and Catch (b) to the side rack.

Step Three: Pull the Catch (b) all the way upwards and tighten all mounting hardware to 6.5 ft-lbs while maintaining upwards pressure on the Catch.

Note: The Catch (b) can be adjusted to increase the latching force of the Sight-Lock™ Latch on the H35 Case. Loosen the upper mounting hardware and lower the Catch (b) towards the A-Frame (a). Re-tighten the mounting hardware and test fit the H35 Case to the rack. The Sight-Lock™ Latch should snap shut firmly and have no free play once in the closed position.

2. A-Frame Adapter Installation, Top Rack

DRYSPEC.COM



2.1 - Installing The A-Frame Adapter

Step One: Starting with the forward two mounting points, use the supplied M6x16 bolts (d), Spacers (c) and M6 Nuts (f) to attach the A-Frame (a) to the top rack. Do NOT fully tighten the mounting hardware at this time.

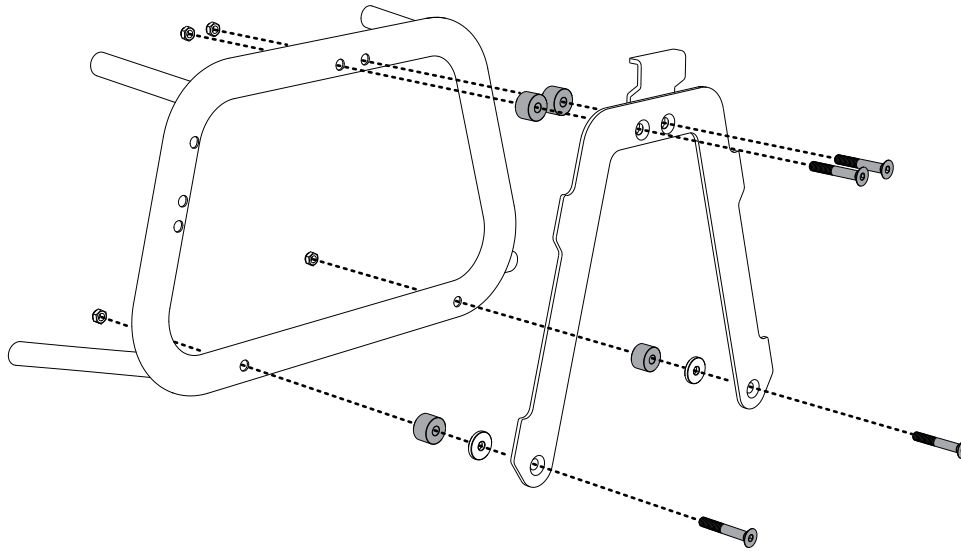
Step Two: Next for the rear mounting points, use the supplied M6x16 bolts (d) and M6 Nuts (f) to attach the A-Frame (a) and Catch (b) to the top rack.

Note: Some top racks have threaded mounting holes. In this situation do not use the provided M6 Nuts (f), simply thread the M6x16 Bolts (d) directly into the top rack.

Step Three: Pull the Catch (b) all the way backwards and tighten all mounting hardware to 6.5 ft-lbs while maintaining upwards pressure on the Catch.

Note: The Catch (b) can be adjusted to increase the latching force of the Sight-Lock™ Latch on the H35 Case. Loosen the upper mounting hardware and push the Catch (b) towards the A-Frame (a). Re-tighten the mounting hardware and test fit the H35 Case to the rack. The Sight-Lock™ Latch should snap shut firmly and have no free play once in the closed position.

3. A-Frame Spacer Kit (Sold Separately)



3.1 - A-Frame Adapter Spacer Kit

This spacer kit positions the H35 Case a ½ inch further away from the vehicle to enable full rotation of the mounting latch in tight spaces. These spacers install between the vehicle rack and A-Frame Mounting Adapter and were specifically developed for use on the non-exhaust side of motorcycles with large grab handles.

Note: The spacing of all motorcycle racks are different, so we recommend one set of spacers if you are using the H35 case as a side cases and your bike has grab rails.

Part Number: DSL.H35.504