



## H35 Top Load Liner DSL.H35.10300

### Thank you for choosing DrySpec

We know you would rather be riding your bike than wrenching on it, so we go the extra mile to make sure our instructions are clear and as easy to understand as possible. If you have any questions, comments, or suggestions don't hesitate to give our gear experts a call at 401.360.2551 or visit WWW.DRYSPEC.COM

### Please Read Before Installing

DRYSPEC products should always be installed by a qualified motorcycle technician. If you are unsure of your ability to properly install a product, please have the product installed by your local motorcycle dealer. DENALI takes no responsibility for damages caused by improper installation. **Caution:** When installing electronics it is extremely important to pay close attention to how wires are routed, especially when mounting products to the front fender, front forks, or fairing of your motorcycle. Always be sure to turn the handlebars fully left, fully right, and fully compress the suspension to ensure the wires will not bind and have enough slack for your motorcycle to operate properly.

### Installation Tips

We strongly recommend using medium strength liquid thread locker on all screws, nuts, and bolts. It is also important to ensure that all hardware is tightened to the proper torque specifications as listed in your owner's manual. For included accessory hardware please refer to the default torque specifications provided below. Inspect all hardware after the first 30 miles to ensure proper torque specifications are maintained.

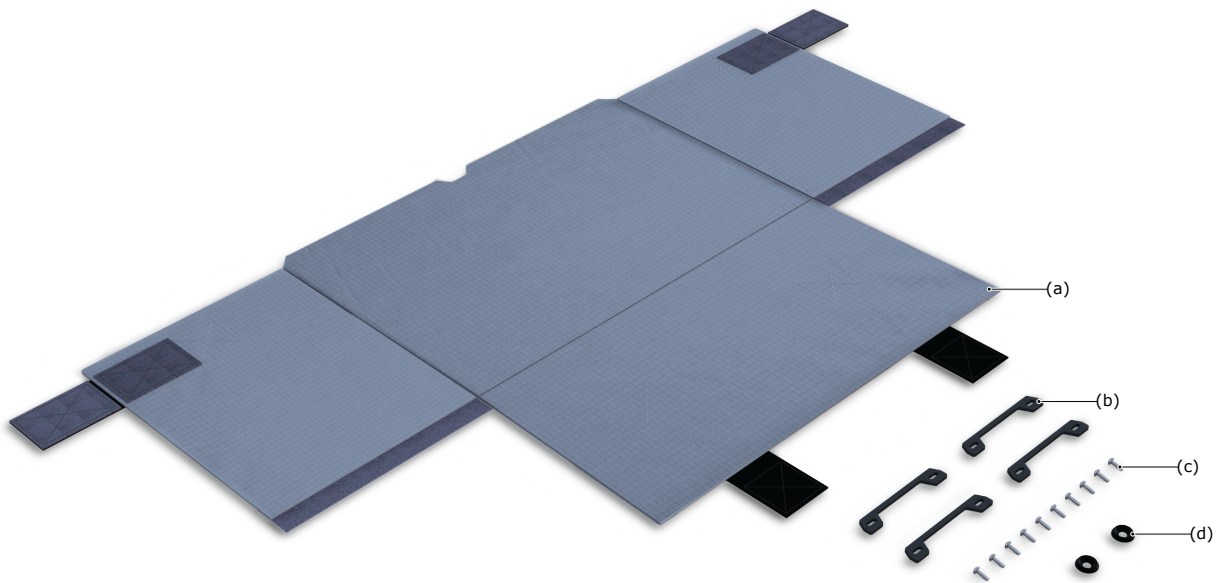
Bolt Size	in-lbs	ft-lbs	Nm
M3	10.0 in-lbs	-	1.0 Nm
M4	23.0 in-lbs	-	2.5 Nm
M5	44.5 in-lbs	3.5 ft-lbs	5.0 Nm
M6	78.0 in-lbs	6.5 ft-lbs	9.0 Nm
M8	-	13.5 ft-lbs	18.0 Nm
M10	-	30.0 ft-lbs	41.0 Nm
M12	-	52.0 ft-lbs	71.0 Nm

### Hardware Sizing Guide

Not sure what size bolt you have? Use this ruler to measure screws, bolts, spacers, etc. Remember, the length of a screw or bolt is measured from the start of the "mounting surface" to the end of the screw, so only include the screw head when measuring countersunk screws.



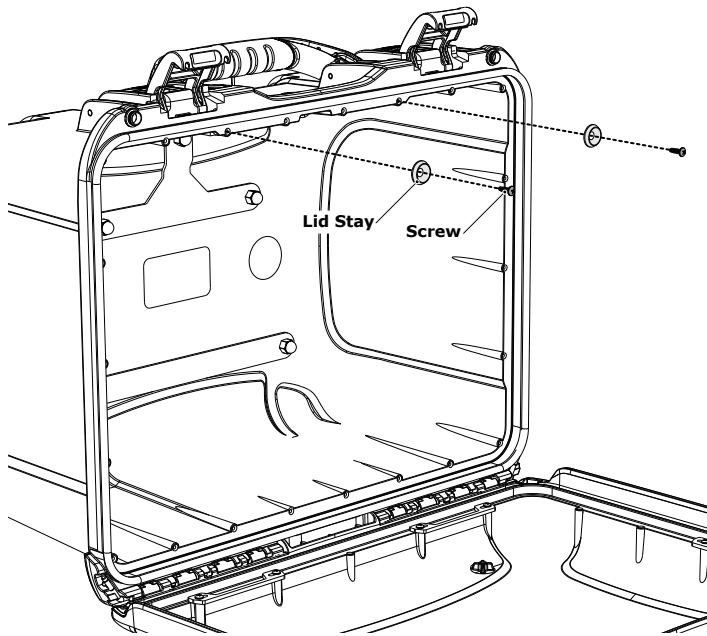
## What's In The Box?



### Kit Contents

- (a) Top Load Liner.....Qty 1
- (b) Webbing Frame.....Qty 4
- (c) Self Tapping Screw.....Qty 10
- (d) Lid Stay.....Qty 2

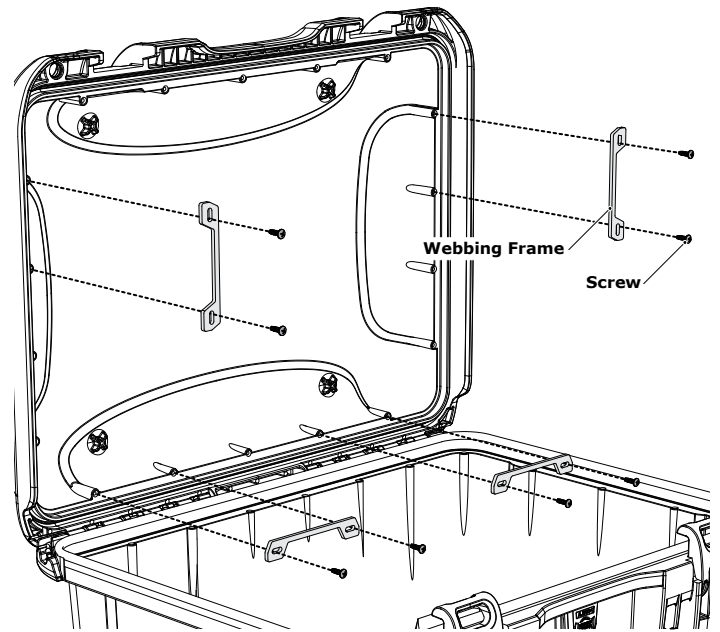
# 2. Top Load Liner Installation & Operation



## 1.1 - Installing The Lid Stays

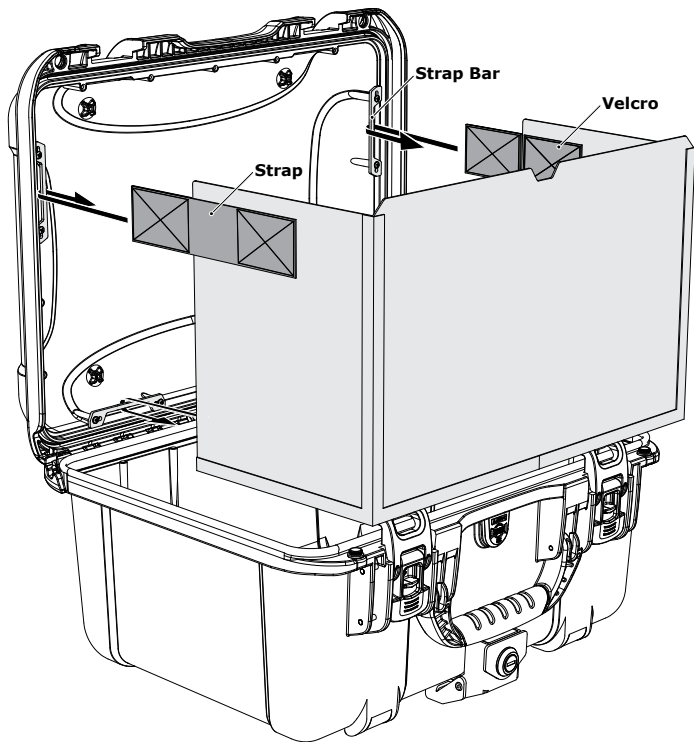
The DrySpec Top Load Liner transforms a side loading H35 case into top loading luggage. This padded, semi-rigid liner with its high density polyethylene core and a durable nylon shell, mounts to the inside and lid of your H35 case providing a pocket that swings out when opened.

**Step One:** Use the Self Tapping Screws (c) to install the Lid Stays (d) to the mounting points illustrated above.



## 1.2 - Installing The Strap Bars

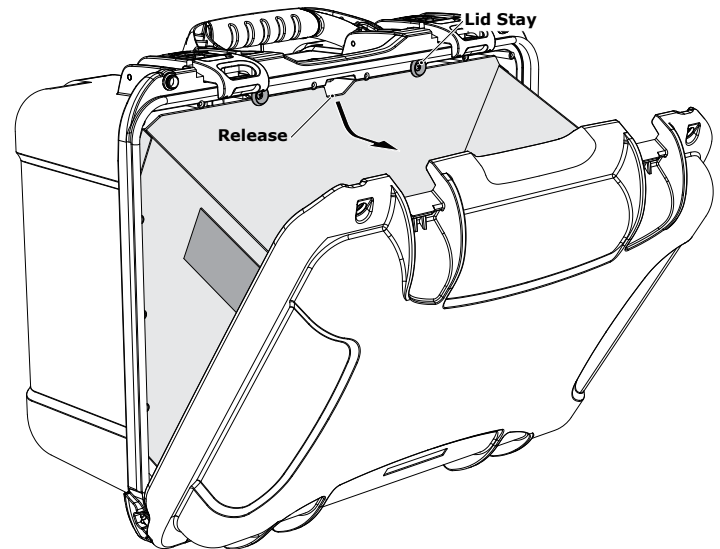
**Step One:** Use the Self Tapping Screws (c) to install the Strap Bars (b) to the lid using the mounting points illustrated above.



## 1.3 - Securing The Top Load Liner

**Step One:** Fold the Top Load Liner into shape and secure the velcro strips where the panels meet.

**Step Two:** Connect each of the four straps to the Strap Bars (b) and tightly secure each strap to the mating velcro patch on the Top Load Liner.



## 1.4 - Lid Stay Operation

The Lid Stay keeps your case partially opened when engaged.

**Step One:** To fully open the case simply pull down and outwards on the release so that the Top Load Liner can swing past the Lid Stays (d).