



# DRYSPEC™

**D-Series Instruction Manual.....rev00**



# D-Series Dry Bags

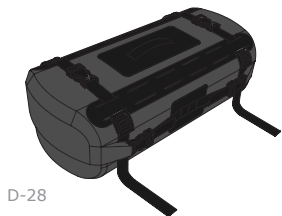
## Base Bags

### Table of Contents

D-28 Dual End Dry Bag.....	4
D-20 Dry Saddle Bag Set.....	6
D-38 Rigid Core Dry Bag.....	8
Slip-lock Strap System.....	10
D-56 Modular Packing System.....	12
D-66 Modular Packing System.....	14
D-68 Modular Packing System.....	16
D-78 Modular Packing System.....	18
D-106 Modular Packing System.....	20

### Modular Packing

The three-bag D-Series dry bag system makes packing and organizing your gear easier, allows for quicker access to your gear, and enables strategic separation of your gear; keeping your clean clothes separate from your wet tent. Each D-Series bag is also designed to mount directly to your bike, so you truly get eight different bags in one system.



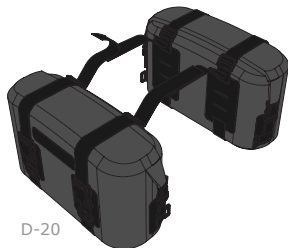
D-28



D-56



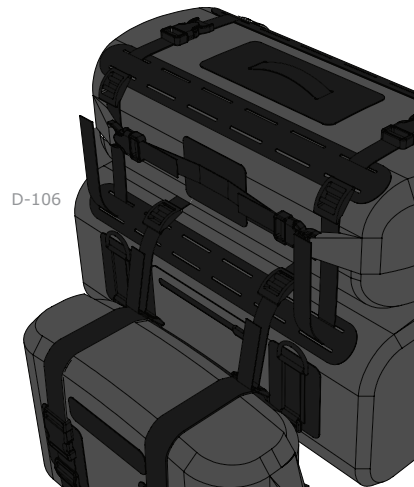
D-78



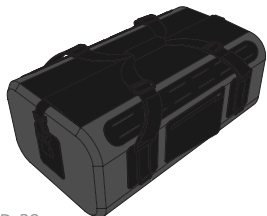
D-20



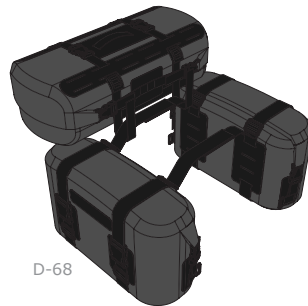
D-66



D-106



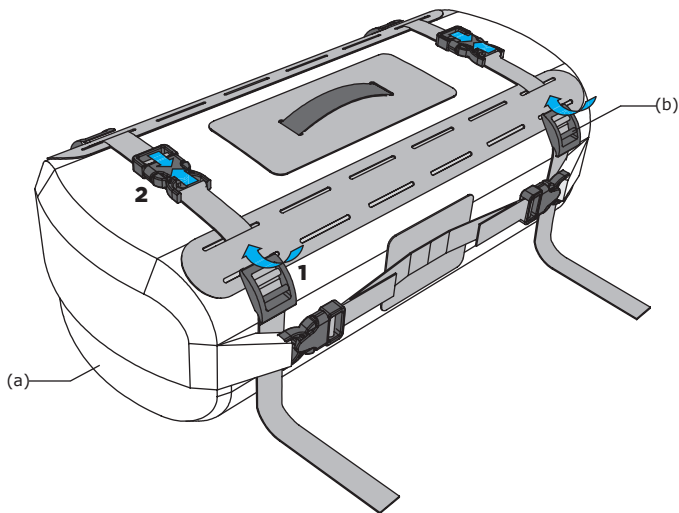
D-38



D-68

# D-28

## Dual End Modular Dry Bag



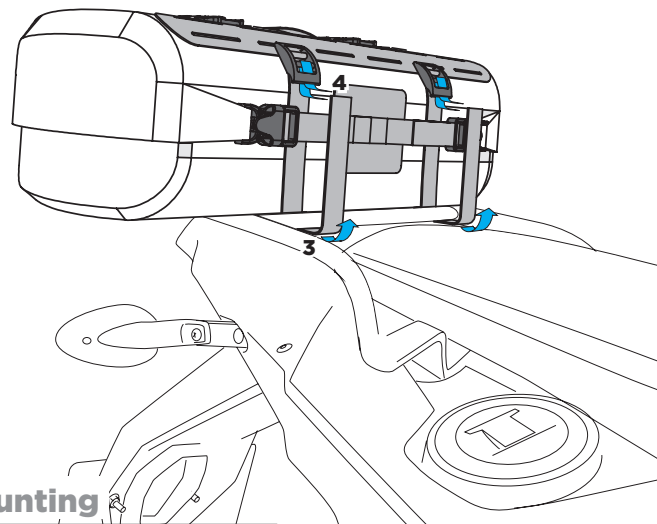
## Assembly

### D-28 Assembly Components

- (a) D-28 dry bag.....Qty 1
- (b) Tension lock mounting strap.....Qty 2

**Step One:** To install the tension lock mounting straps onto your D-28 first disconnect the side release buckle at the center of each strap. Pass the side release buckle end of each strap under the daisy chain on the side of the D-28.

**Step Two:** Reconnect the buckles at the center of the bag. The tension lock will remain on the outer side of the daisy chain. This enables the straps to stay in place on the bag when it is not mounted. **Note:** There are plastic strap keepers on each of the roll-top closure straps to secure any excess webbing. For best results, fold the excess webbing up to 3 layers thick before tucking it under the tab on the strap keeper.



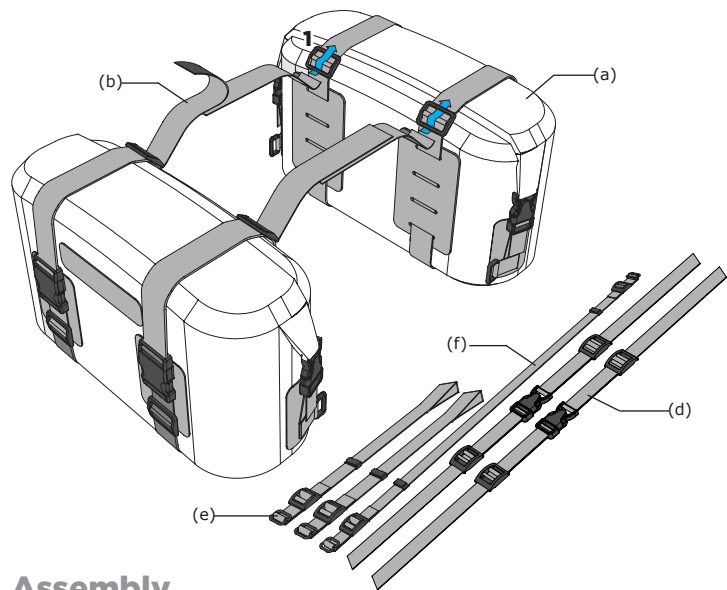
## Mounting

**Step Three:** Pass the end of the tension lock straps under your desired mounting point. **Step Four:** Then, feed the strap end into the tension lock buckle, pass it over the middle bar, and exit the buckle the same place you came in. **Note:** There are plastic strap keepers on each of the mounting straps to secure any excess webbing. For best results, fold the excess webbing up to 3 layers thick before tucking it under the tab on the strap keeper.

**Tip:** The straps that come with the D-28 are optimized for mounting to points directly under the bag minimizing excess webbing to manage. If you plan to mount your D-28 to points further away from the bag like the passenger foot peg (for example) you will need a longer universal mounting strap like the DRYSPEC *Soft-loop Quick-Release Mounting Straps*, part #DSL.STP.10400.

# D-20

## Modular Dry Saddle Bag Set



### Assembly

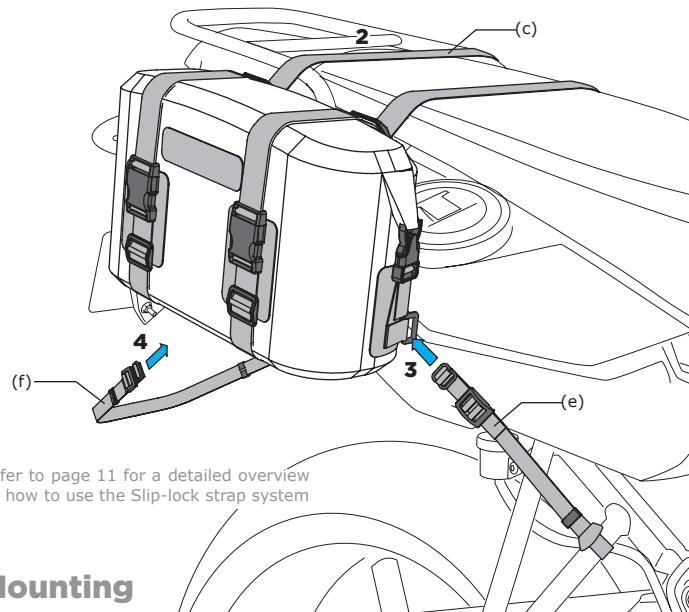
#### D-20 Assembly Components

- (a) D-20 dry bag.....Qty 2
- (b) Velcro center strap.....Qty 2
- (c) Solid nylon center strap.....Qty 2
- (d) D78 combo strap.....Qty 2
- (e) Slip-lock mounting strap (s).....Qty 2
- (f) Dual-end slip-lock strap.....Qty 1

The center support strap options (b or c) connect the two bags together & are designed to be interchangeable.

 Available Colors

**Step One:** To install the center straps to the bag, feed the end of the strap through the 3-bar slide on the top rear of each compression strap. Use the Velcro option for quick adjustability or use the solid nylon strap for extra security in muddy conditions. To adjust the length of either center strap, feed more of the strap end through the 3-bar slide. Strap (d) is designed for use as the center strap for the D78 bag combo. See the D78 assembly page for details.



Refer to page 11 for a detailed overview on how to use the Slip-lock strap system

### Mounting

**Step Two:** Place the connected bags over the tail section of the bike. Adjust the center strap lengths to fix the height of the bags. **Tip:** You can secure excess webbing of the center strap by passing it back under the far side of the 3-bar slide.

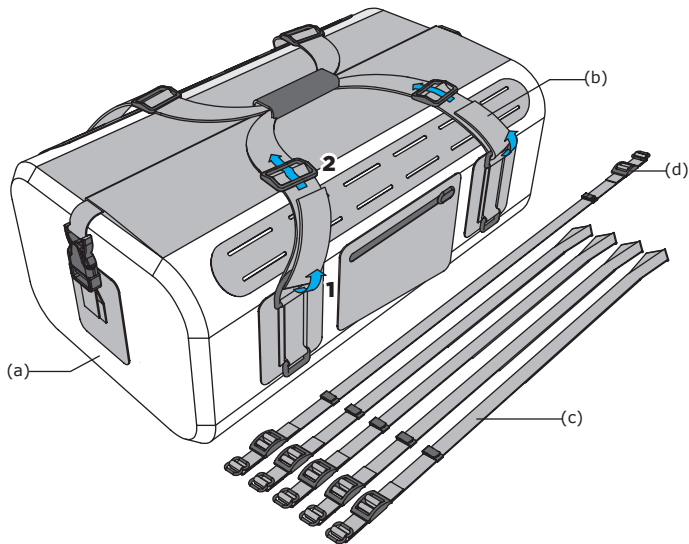
**Step Three:** Pass the loop end of the slip-lock strap (e) around the frame and then feed the slip-lock through the 1" plastic loop on the front side of the bags.

**Step Four:** Use the dual-end slip-lock strap (f) to connect the rear mounting points of the bags around the lower tail section of the bike. On most bikes the license plate bracket or tail light assembly create the perfect spot to loop the strap underneath. **Tip:** For best results, anchor the straps as low as possible so when you tension the straps it pulls the bags downward, not just front to back.

# D-38

## Rigid Core Modular Dry Bag

D-Series Dry Bags



## Assembly

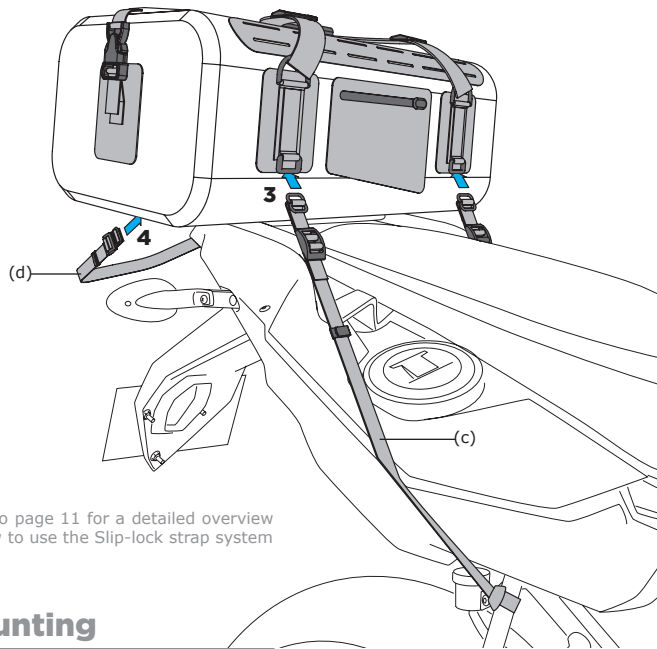
### D-38 Assembly Components

- (a) D-38 dry bag.....Qty 1
- (b) Removable carry handle.....Qty 1
- (c) Slip-lock mounting strap (L).....Qty 4
- (d) Dual-end slip-lock strap.....Qty 1

**Step One:** The carry handle is adjustable and removable. To install the carry handle pass the end of the straps through the D-rings on the side of the bag.

**Step Two:** Feed the strap end through the 3-bar slide on each side of the carry handle. **Note:** The carry handle can be adjusted all the way out to function as a shoulder strap, or adjusted all the way down to function as a grab handle while eliminating any excess webbing from blowing and tangling in the wind. **Tip:** To adjust the handle length, hold the 3-bar slide and the webbing end at the same time, then slide all together up or down.

■ ■ ■ Available Colors



Refer to page 11 for a detailed overview on how to use the Slip-lock strap system

## Mounting

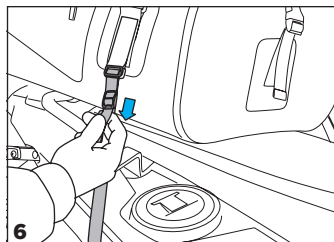
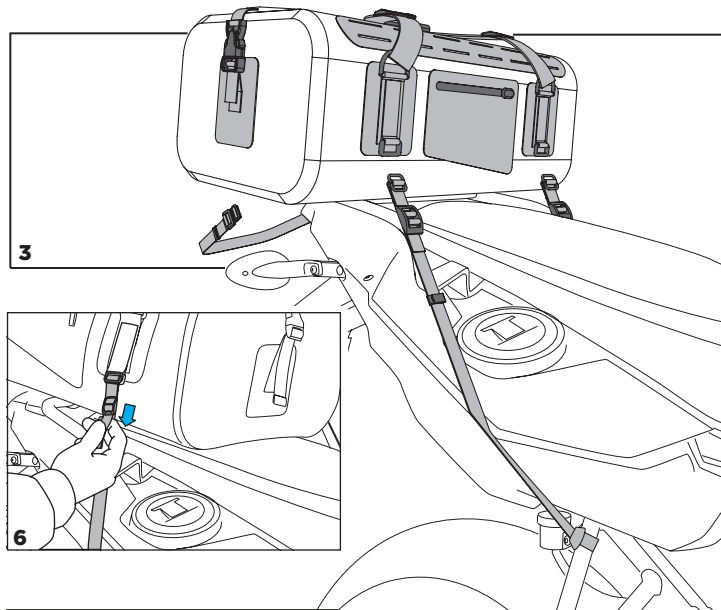
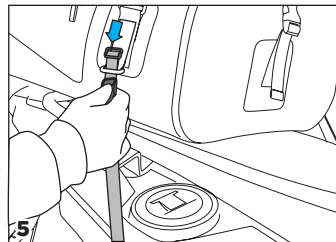
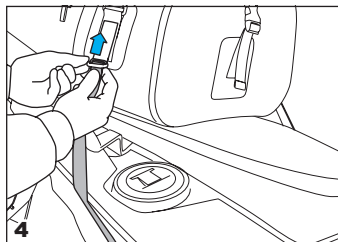
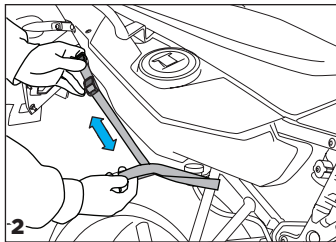
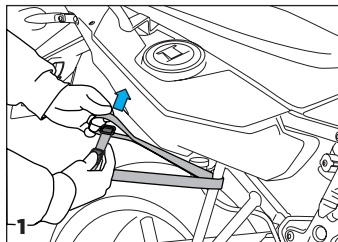
First decide whether you want to mount the bag parallel or perpendicular to your seat. **Step Three:** Pass the loop end of the slip-lock strap (c) around the frame and then feed the slip-lock through the 1' plastic loop on the front side of the bag. **Note:** There are plastic strap keepers on each of the mounting straps to secure any excess webbing. For best results, fold the excess webbing up to 3 layers thick before tucking it under the tab on the strap keeper.

**Step Four:** For the rear mounting points you have the option of a regular slip-lock strap like the front, or a dual-end slip-lock strap. Use the dual-end strap if possible as it will make removing and attaching the bag faster. To use the dual-end slip-lock strap (d) connect the rear mounting points of the bags around the lower tail section of the bike. On most bikes the license plate bracket or tail light assembly create the perfect spot to loop the strap underneath.

# Slip-Lock Strap System

D-Series Dry Bags

## How to use the slip-lock straps



## Mounting

Slip-lock mounting straps feature a 3/4" metal slip-lock at the end of each strap that is designed to mate with the 1" plastic loops on the bags. Dryspec invented slip-lock straps to create the most durable and most low-profile attachment system available. Slip-lock straps are included with the D20, D38, and all D-Series modular combinations.

**Step One:** Identify the mounting points you plan to use for each of the four straps. Any closed part of the bike will work (like the frame or rear footpeg bracket).

**Step Two:** Wrap the loop-end around the mounting point then pass the slip-lock end through the loop. Pull the slip-lock end up towards the bag to secure the strap around the bike. Repeat this step for all four straps.

**Step Three:** Note: In many situations, the dual ended slip-lock strap is easier to use in place of the regular slip-lock straps on the rear. It creates a closed loop that can be passed under a license plate bracket or tail light assembly.

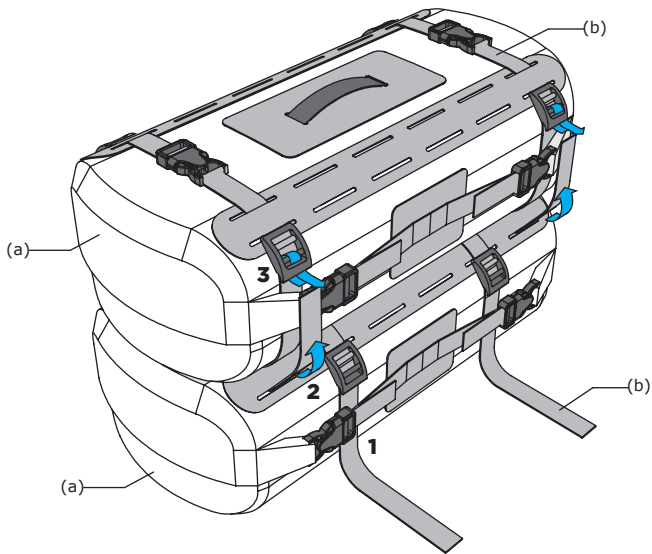
**Step Four:** With the slip-lock flat to the strap, pass the slip-lock completely through the under side of the plastic loop on the bag. Repeat this for all four straps.

**Step Five:** Once the slip-lock passes through the plastic loop, notice that it will not pass back through the loop without holding the slip lock flat to the strap with your other hand.

**Step Six:** Once all four slip-lock straps are attached to the bag pull the end of the strap downward to tighten the bag to the bike. Tuck the remaining strap ends under the plastic strap keepers to keep them from blowing and tangling in the wind.

# D-56

## Modular Packing System



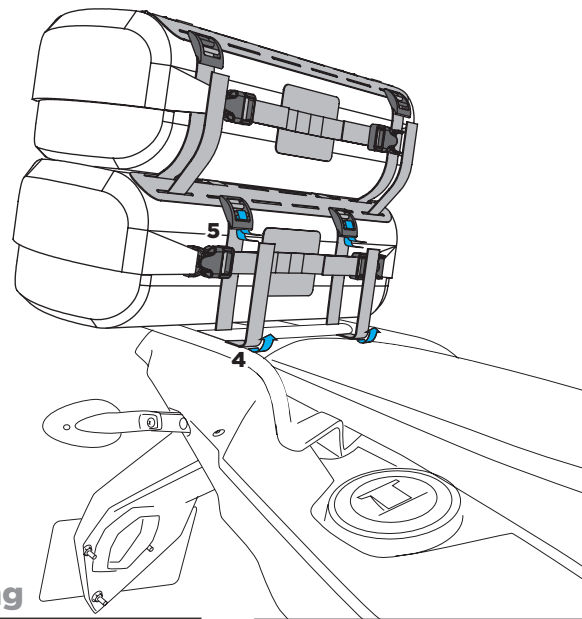
## Assembly

### Two Complete D-28 Dry Bags

- (a) D-28 dry bag.....Qty 2
- (b) Tension lock mounting strap.....Qty 4

In the D-56 combo, the tension lock straps are used for both connecting the bags together as well as mounting the bags to your bike. **Step One:** First, make sure to install the tension lock straps to each bag as described on the D-28 page.

**Step Two:** Pass the end of the tension lock straps from the upper bag under and through the daisy chain on the lower bag. **Step Three:** Then, feed the strap end into the tension lock buckle on the top bag, pass it over the middle bar, and exit the buckle the same place you came in. The tension lock straps from the lower bag will be used to mount the D-56 combo to your bike.



## Mounting

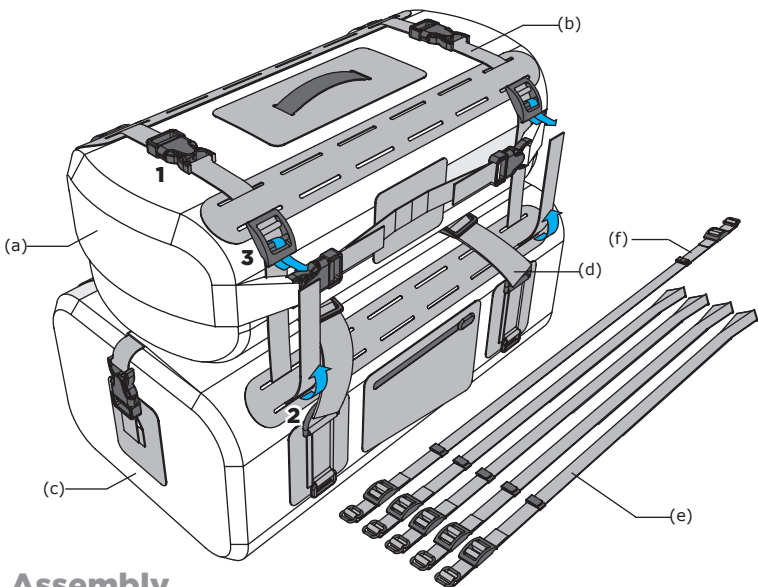
Now that the bags are connected they can be quickly attached and removed from your bike as one unit.

**Step Four:** To mount the D-56 combo, pass the end of the tension lock straps from the lower bag under your desired mounting point. **Step Five:** Then, feed the strap end into the tension lock buckle on the lower bag, pass it over the bar, and exit the buckle the same place you came in.

**Note:** There are plastic strap keepers on each of the mounting straps to secure any excess webbing. For best results, fold the excess webbing up to 3 layers thick before tucking it under the tab on the strap keeper. **Tip:** Separate the 2 bags of the D-56 Combo to create the ideal expansion bag set to mount to the top of side panniers. The included tension lock straps are already optimized for this use so no additional straps are necessary.

# D-66

## Modular Packing System



## Assembly

### Complete D-28 Dry Bag

- (a) D-28 dry bag.....Qty 1
- (b) Tension lock mounting strap.....Qty 2

### Complete D-38 dry bag

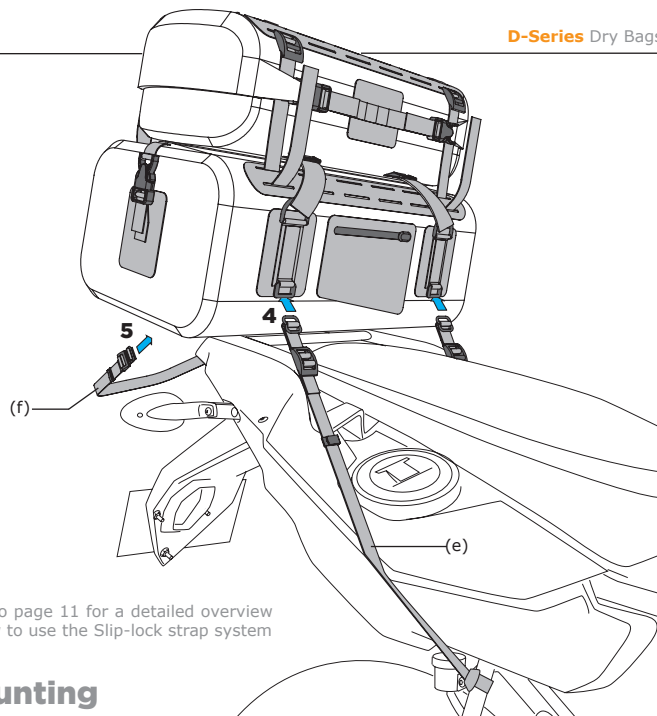
- (c) D-38 dry bag.....Qty 1
- (d) Removable carry handle.....Qty 1
- (e) Slip-lock mounting strap (L).....Qty 4
- (f) Dual-end slip-lock strap.....Qty 1

**Step One:** First, make sure to install the tension lock straps on the D-28 as described on the D-28 page.

**Step Two:** Pass the end of the tension lock straps from the D-28 under and through the daisy chain on the D-38 bag.

**Step Three:** Then, feed the strap end into the tension lock buckle, pass it over the middle bar, and exit the buckle the same place you came in. Fold any excess webbing up to 3 layers thick before tucking it under the strap keepers.

D-Series Dry Bags



Refer to page 11 for a detailed overview on how to use the Slip-lock strap system

## Mounting

Now that the bags are connected they can be quickly attached and removed from your bike as one unit using only the lower bags mounting straps. **Step Four:** To mount the D-66 combo, pass the loop end of the slip-lock strap (e) around the frame and then feed the slip-lock through the 1" plastic loop on the front side of the D-38. **Note:** For best results, fold the excess webbing up to 3 layers thick before tucking it under the tab on the strap keeper on the mounting strap.

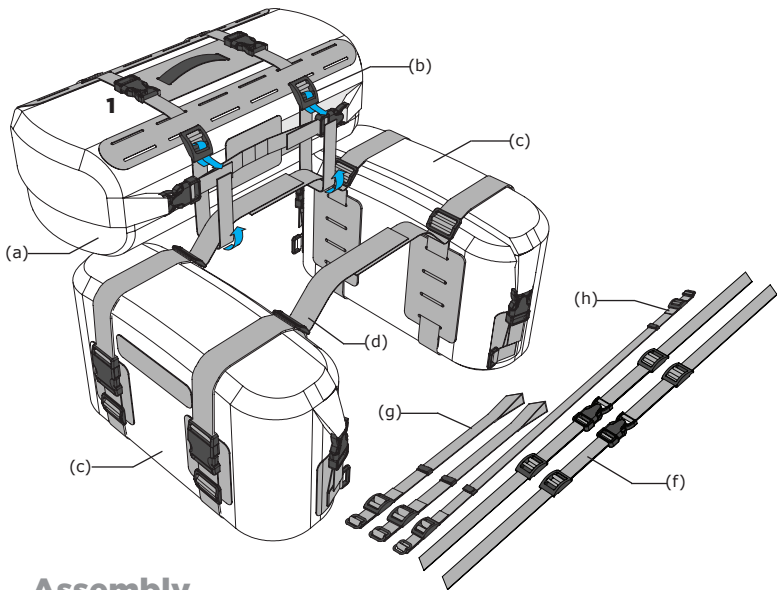
**Step Four:** For the rear mounting points you have the option of a regular slip-lock strap like the front, or a dual-end slip-lock strap. Use the dual-end strap if possible as it will make removing and attaching the bag faster. To use the dual-end slip-lock strap (f) connect the rear mounting points of the bags around the lower tail section of the bike. On most bikes the license plate bracket or tail light assembly create the perfect spot to loop the strap underneath.



# D-68

## Modular Packing System

D-Series Dry Bags



## Assembly

### Complete D-28 Dry Bag

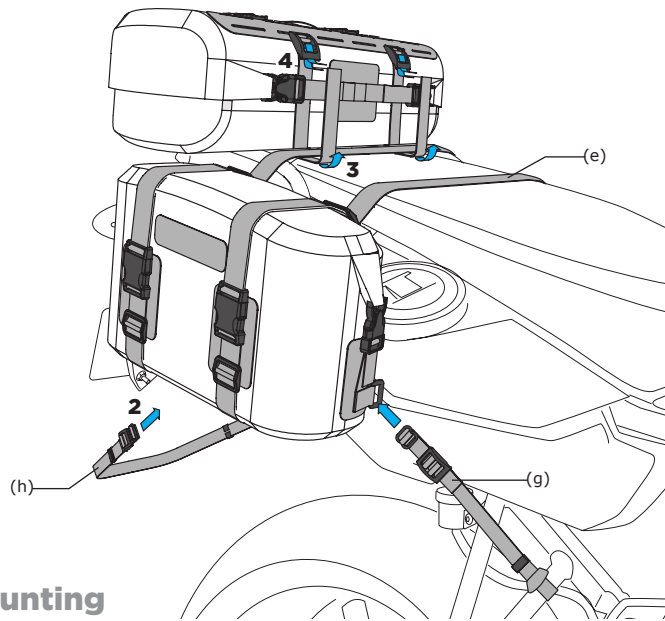
- (a) D-28 dry bag.....Qty 1
- (b) Tension lock mounting strap.....Qty 2

### Complete D-20 Dry Bag Set

- (c) D-20 dry bag.....Qty 2
- (d) Velcro center strap.....Qty 2
- (e) Solid nylon center strap.....Qty 2
- (f) D78 combo strap.....Qty 2
- (g) Slip-lock mounting strap (s).....Qty 2
- (h) Dual-end slip-lock strap.....Qty 1

**Note:** The D-68 can be assembled in both a parallel and perpendicular configuration (illustrated above). To assemble the parallel configuration (not shown) simply connect the tension lock straps from the D-28 through the 3-bar slides on the top rear of the D-20's **Step One:** To assemble the D-68 in a perpendicular configuration (as shown) first install the tension lock straps on to the D-28.

Available Colors



## Mounting

**Step Two:** Mount the D-20's to your bike in the standard mounting orientation as described on the D-20 page.

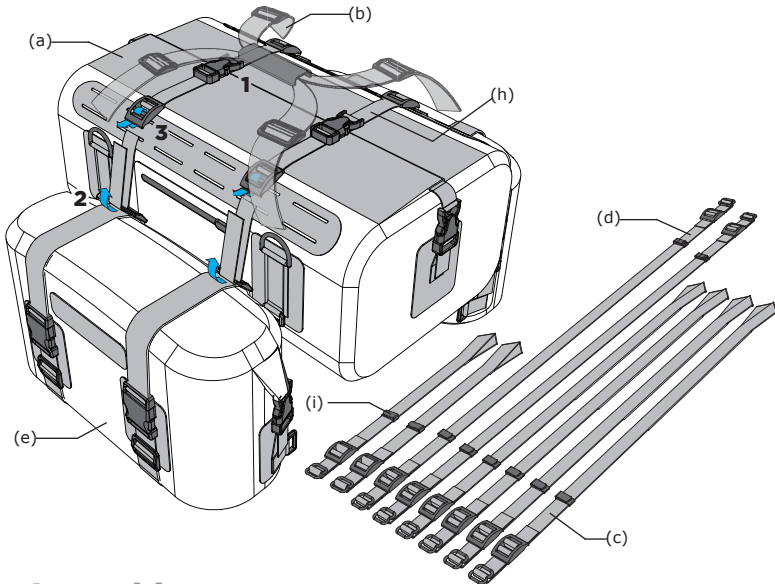
**Step Three:** Place the D-28 over the D-20 center straps. Then, pass the end of the tension lock straps from the D-28 under the center straps on the D-20's.

**Step Four:** Then, feed the strap end into the tension lock buckle, pass it over the middle bar, and exit the buckle the same place you came in.

**Tip:** You can mount the front straps of the D-28 to the rear center strap of the D-20's to create more space for you & your passenger. This is the ideal configuration for the D-68 if your bike has suitable mounting points for the rear tension lock straps of the D-28 to pass under.

# D-78

## Modular Packing System



### Assembly

#### Complete D-38 dry bag

- (a) D-38 dry bag.....Qty 1
- (b) Removable carry handle.....Qty 1
- (c) Slip-lock mounting strap (L).....Qty 4
- (d) Dual-end slip-lock strap.....Qty 1

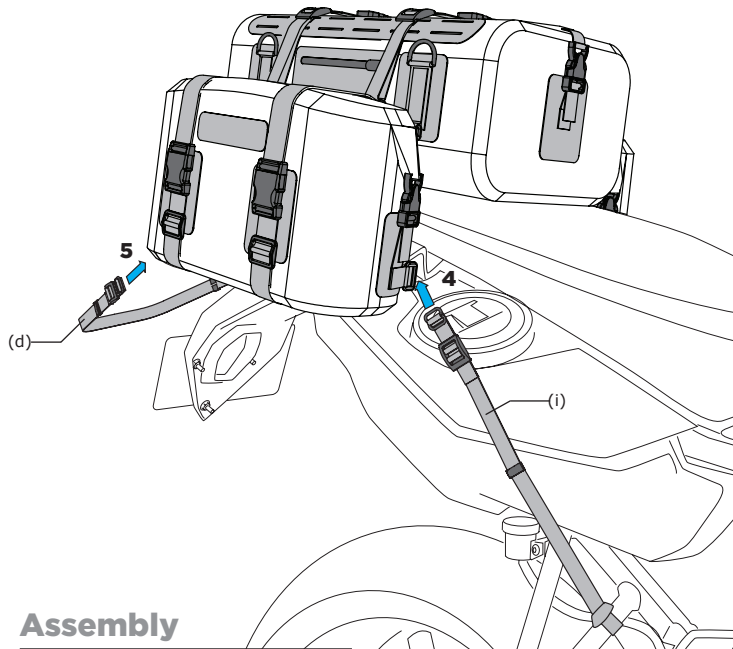
#### Complete D-20 Dry Bag Set

- (e) D-20 dry bag.....Qty 2
- (f) Velcro center strap.....Qty 2
- (g) Solid nylon center strap.....Qty 2
- (h) D78 combo strap.....Qty 2

■ ■ ■ Available Colors

- (i) Slip-lock mounting strap (s).....Qty 2
- (d) Dual-end slip-lock strap.....Qty 1

**Step One:** Install the combo strap to the D-38. With the combo strap connected at its center, pass each end of the strap through the daisy chain from the center out. **Note:** The tension lock buckle will remain on the outside of the daisy chain. This is important because it allows you to access the top of the D-38 without loosening your mounting tension of the whole bag combo.



### Assembly

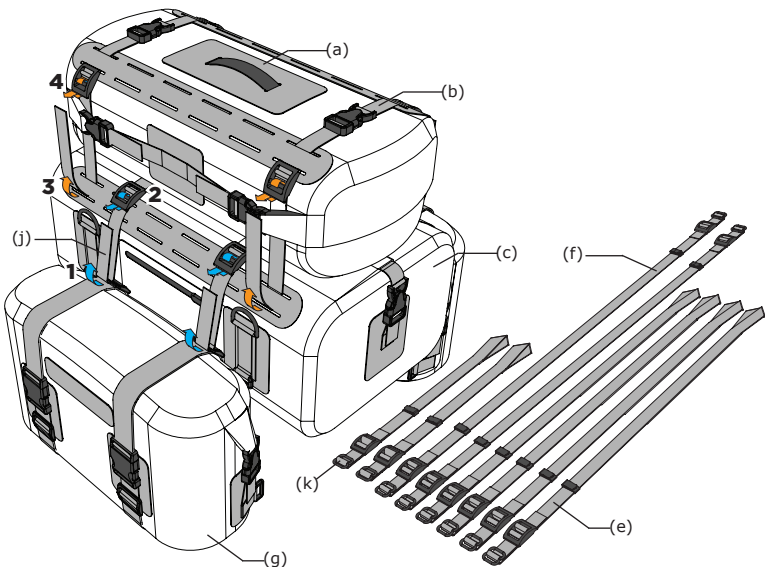
**Step Two:** Pass the end of the combo straps from the D-38 under and through the top bar of the 3-bar slide on the back of the D-20's. **Step Three:** Then, feed the strap end into the tension lock buckle, pass it over the middle bar, and exit the buckle the same place you came in. **Note:** You can now adjust the height that the D-20's are suspended from the D-38 at these tension lock buckles.

Now that the bags are connected they can be quickly attached and removed from your bike as one unit using only the lower bags mounting straps. Follow the instructions on the D-20 page to mount the D-78 combo the same way you would mount just the D-20's. **Tip:** For best results, anchor the straps as low as possible so when you tension the straps it pulls the bags downward, not just front to back.

# D-106

## Modular Packing System

D-Series Dry Bags



### Assembly

#### Complete D-28 Dry Bag

- (a) D-28 dry bag.....Qty 1
- (b) Tension lock mounting strap.....Qty 2

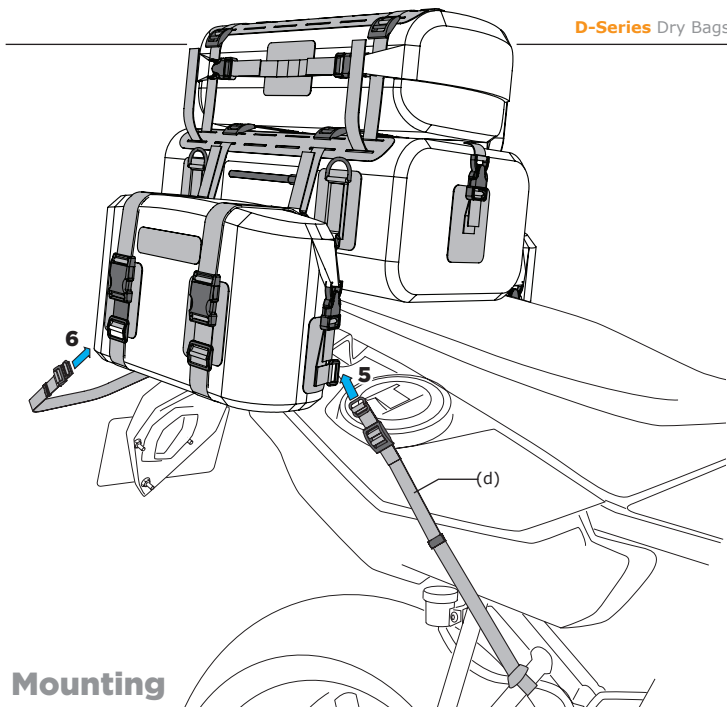
#### Complete D-38 dry bag

- (c) D-38 dry bag.....Qty 1
- (d) Removable carry handle.....Qty 1
- (e) Slip-lock mounting strap (L).....Qty 4
- (f) Dual-end slip-lock strap.....Qty 1

#### Complete D-20 Dry Bag Set

- (g) D-20 dry bag.....Qty 2
- (h) Velcro center strap.....Qty 2
- (i) Solid nylon center strap.....Qty 2
- (j) D78 combo strap.....Qty 2
- (k) Slip-lock mounting strap (s).....Qty 2
- (f) Dual-end slip-lock strap.....Qty 1

**Step 1-4:** To assemble the D-106 first refer to the D-78 page to connect the D-20's to the D-38. Then refer to the D-66 page to connect the D-28 to the D-38.



### Mounting

Now that the bags are connected into the D-106 Combo, they can be quickly attached and removed from your bike as one unit using only the lower bags mounting straps. **Step 5-6:** To mount the D-106, follow the instructions on the D-20 page to mount the D-78 combo the same way you would mount just the D-20's. **Tip:** For best results, anchor the straps as low as possible so when you tension the straps it pulls the bags downward, not just front to back.

**Tip:** Keep in mind that complete strap sets for all three bags are included in the D-106 Combo. You will only need to use the straps shown above to assemble and mount the D-106. This also means you can use each of the bags individually or assembled into any of the D-Series combos illustrated in this manual. Refer back to each base bag and combo bag pages for detailed instruction on assembly and mounting.



**100% WATERPROOF  
MODULAR DESIGN  
MADE IN USA** 

DRYSPEC dry bags are exclusively distributed by Twisted Throttle LLC.

**Twisted Throttle LLC.**  
570 MooseNeck Hill Road,  
Exeter Rhode Island 02822  
Phone: 855 255 5550  
Email: [info@twistedthrottle.com](mailto:info@twistedthrottle.com)  
[Twistedthrottle.com](http://Twistedthrottle.com)

Instructional videos and digital full resolution copies of these instructions are available for download at [DRYSPEC.COM/instructions](http://DRYSPEC.COM/instructions).

**DRYSPEC.COM**