



POWER FORGED™

Battery Charger Service Parts

PLP BATTERY SUPPLY
Murphysboro, IL 62966
800-642-3451

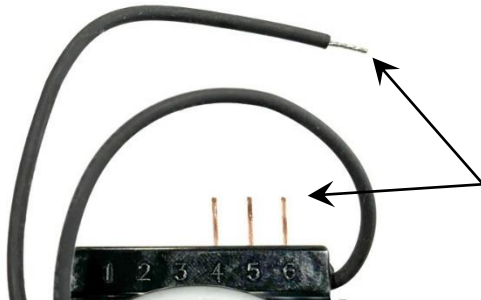
697200 120-Minute Electromechanical Timer ONLY – Screw Mount

120-Minute Electromechanical Timer w/ Hold, 120 VAC – Screw mount. Replaces Associated 611245.

Contents:

- 1 – 697200, 120-minute timer – screw mount
- 2 – 609052, mounting screws
- 1 – instruction sheet

Back of Timer with Terminal Labels



This timer replaces the 611245 timer found in Associated Equipment battery chargers. This is an exact OEM replacement part.

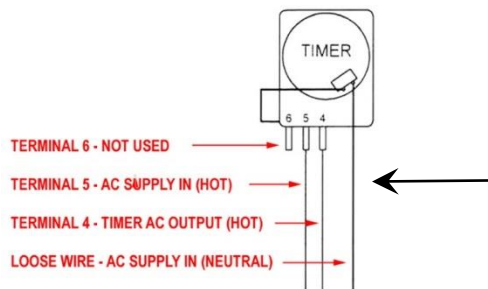
This timer can also be retrofitted in other chargers to replace obsolete electromechanical timers.

NOTE: NO timer dial labels or knobs are included with this part.

Timer Terminal Connections

There are 3 push-on, 1/4" terminals and 1 loose wire for the electrical connections to this timer.

697200-697201 Circuit Function

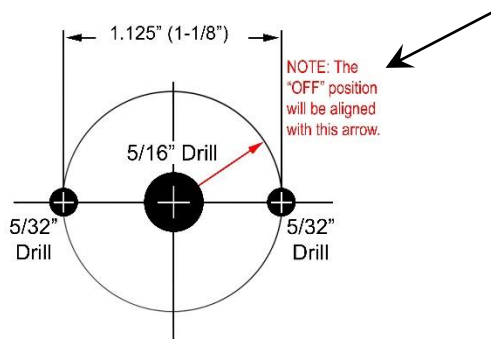


Timer Circuit Function

Terminal 5 and the loose wire are the AC input required to run the timer, usually from the AC power cord.

Terminal 4 is the AC output to supply the charger with power – usually sending the timer-controlled AC current to the transformer or rate select switch. Current flows when the timer is in an "ON" position – either while counting down or in the HOLD position.

Terminal 6 is not used.



Panel Mounting Instructions

If it is necessary to drill or punch holes to mount the timer, the template at left may be used to mark the cabinet for drilling or punching. The panel will need three holes, in accordance with the diagram. The timer knob stem fits through the center hole, and the smaller holes accept the mounting screws.

(Dial label 609063 is used for this horizontal screw configuration. Order separately, or in kit 697202.)

If the mounting screw holes are vertically aligned, rotate the template 90 degrees counter-clockwise. This places the OFF position at approximately 11 o'clock from the stem.

(Dial label 609064 is used for the vertical screw configuration. Order separately, or in kit 697202.)

Questions?

We are here to help.



Call us: 800-642-3451
or email: info@plpbattery.com

697200 Installation Sheet.pdf
© 2024, PLP Battery Supply
Rev 04/2024

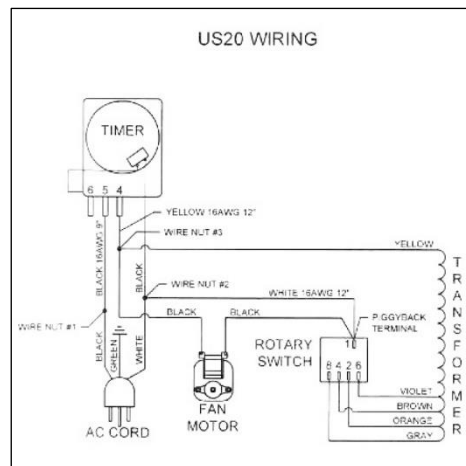
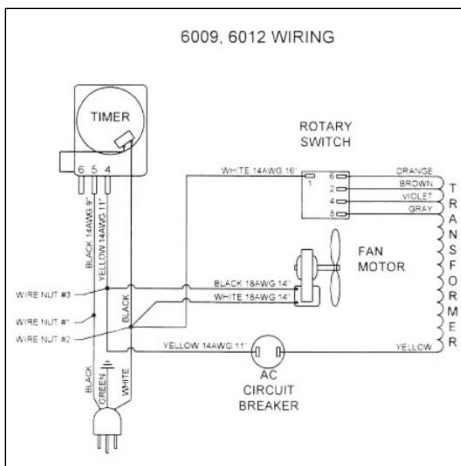
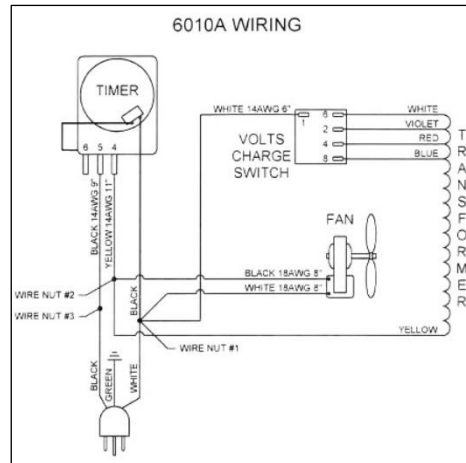
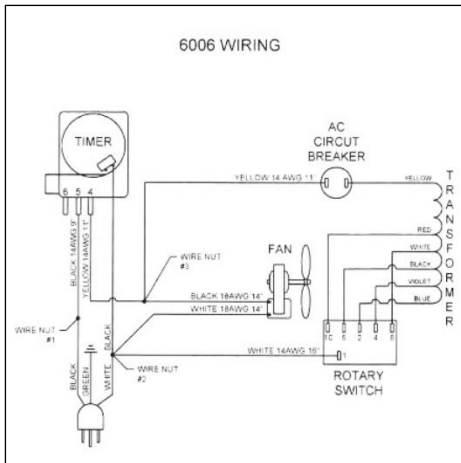
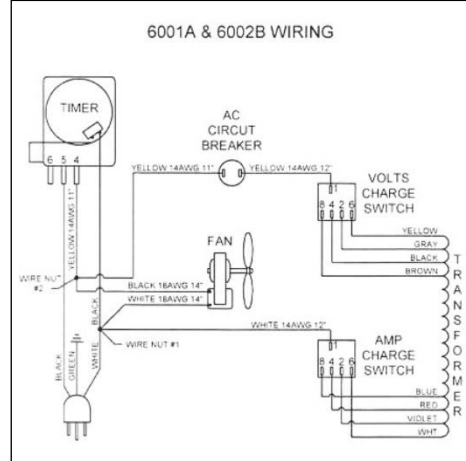
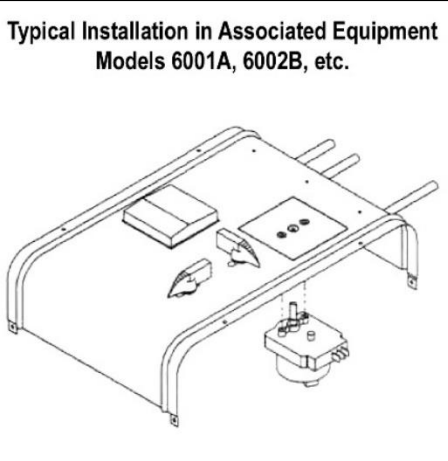


POWER FORGED™

Battery Charger Service Parts

PLP BATTERY SUPPLY
 Murphysboro, IL 62966
 800-642-3451

Installation & Wiring Examples for Various Associated Chargers



Questions?

We are here to help.



Call us: 800-642-3451
 or email: info@plpbattery.com

697200 Installation Sheet.pdf
 © 2024, PLP Battery Supply
 Rev 04/2024