



POWER FORGED™

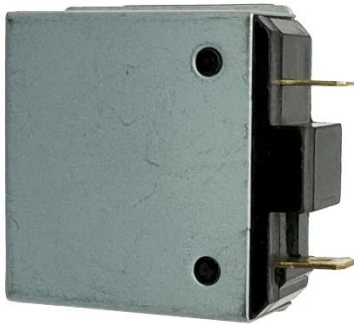
Battery Charger Service Parts

PLP BATTERY SUPPLY
 Murphysboro, IL 62966
 800-642-3451

697124 Timer Kit - Installation Instructions

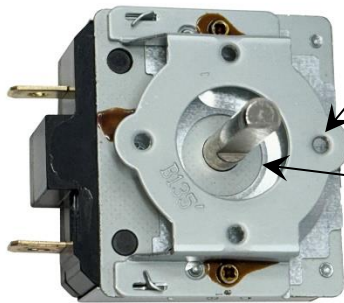
135 Minute with Hold. Replaces Schumacher 0099-000094, 0099000094.

(View of the back of timer)



Timer Terminal Connections

The two terminals on the timer are not labeled, and it does not matter which terminal is connected to the AC input (attached to either an "ON/OFF" switch, or directly to the AC cord), and which is the switched output. (the terminal used to send the switched AC current from the AC input to the transformer or rate select switch. Current flows when the timer is in an "ON" position – either while counting down or in the HOLD position.)

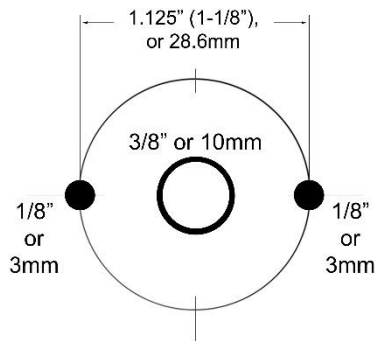


Mounting Screws

This timer uses two M3 screws, which are supplied in the kit. There are four mounting holes, but only two are used. This allows the timer to be "clocked" properly for your charger.

Timer Orientation

The timer knob pointer will point away from the flat on the stem. In the picture at left, the flat faces 6 o'clock and the knob will be pointing to 12 o'clock. The timer may be clocked in 90° increments. Before installing, verify that the timer is in the OFF position, and note the clock position required to match the knob to the "OFF" position marked on the charger cabinet. After the timer is mounted, install the knob by aligning it and pressing straight down onto the timer stem.



Panel Mounting Instructions:

If it is necessary to drill or punch holes to mount your timer, the template at left may be used to mark the cabinet for drilling or punching. The panel will need three holes, in accordance with the diagram on the left. The mounting stem fits through the center hole, and the smaller holes accept the mounting screws.

Questions?

We are here to help.



**Call us: 800-642-3451
 or email: info@plpbattery.com**

697124 Installation Sheet.pdf
 © 2024, PLP Battery Supply
 Rev 02/2024