

Home of the Tiger hoisting, clamping, winching and height safety ranges

Tiger Industrial Range

Industrial range of chain blocks, lever hoists, trolleys and beam clamps



Main Features

- Plain/push and geared trolleys - 500kg – 5.0t
- Beam Clamps - 1.0t to 10.0t
- Chain Blocks - 500kg – 5.0t
- Lever Hoists - 750kg – 6.0t
- Rugged steel body construction yet lightweight and portable
- Meets or exceeds all international standards

Hoists

- Drop forged & heat-treated alloy hooks
- Safe reliable twin pawl mechanical brake
- High quality alloy calibrated load chain
- Proof tested to 1.5 times rated capacity
- Guaranteed light load protection

Additional Lever Hoist Features

- 360-degree handle rotation
- Heavy duty chain end-stop
- Short stroke and low lever pulling effort
- Easy single-hand “freewheeling” operation

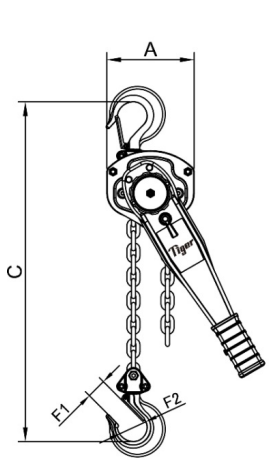
Home of the Tiger hoisting, clamping, winching and height safety ranges

Certification:

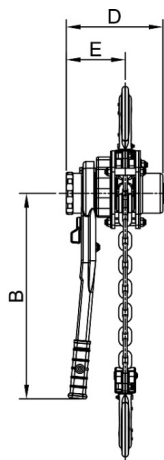
Each unit comes fully certified with a test certificate or an EC Declaration of Conformity stating compliance with the essential health and safety requirements of the Machinery Directive 2006/42/EC.

Lever Hoists

Product Code	Capacity (tonne)	Effort (kg)	Dimensions (mm)							Load Chain		Standard HOL (m)	Mass @ std HOL (kg)	Mass for extra metre HOL (kg)
			A	B	C	D	E	F1	F2	Diameter (mm)	No. of falls			
TRL-0075	0.75	23	128	240	275	158	99	24	38	ø6.3	1	1.5	7.5	0.9
TRL-0100	1.0	29	128	236	295	158	99	28	45	ø6.3	1	1.5	7.5	0.9
TRL-0150	1.5	26	154	360	320	172	104	34	51	ø7.1	1	1.5	10.0	1.1
TRL-0200	2.0	35	154	360	367	172	104	35	53	ø7.1	1	1.5	10.5	1.1
TRL-0300	3.0	38	182	360	400	195	108	36	56	ø10.0	1	1.5	18.0	2.2
TRL-0600	6.0	40	242	360	570	195	108	49	70	ø10.0	2	1.5	29.5	4.3



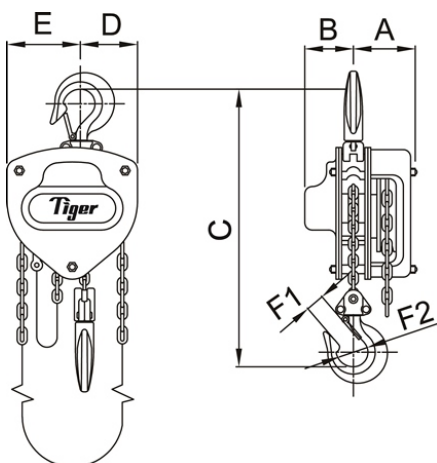
0.75t-3.0t



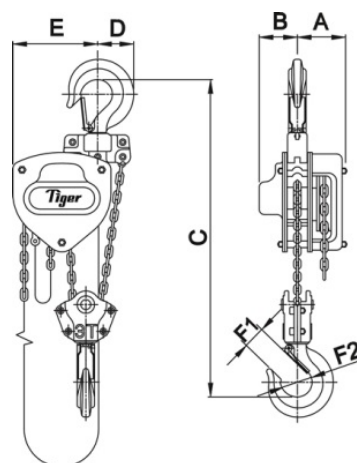
6.0t

Chain Blocks

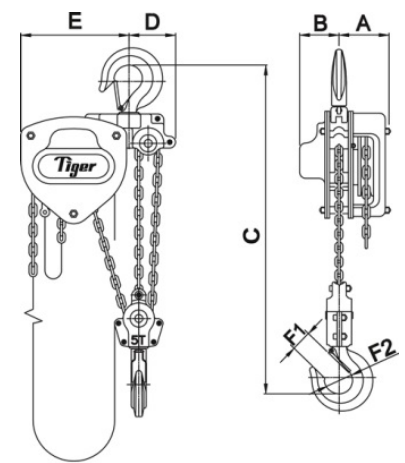
Product Code	Capacity (tonne)	Effort (kg)	Dimensions (mm)							Load Chain		Standard HOL (m)	Mass @ std HOL (kg)	Mass for extra metre HOL (kg)
			A	B	C	D	E	F1	F2	Diameter (mm)	No. of falls			
TRC-0050	0.5	21	93	66	305	52	78	24	38	ø6.3	1	3	10.5	1.9
TRC-0100	1.0	25	93	66	340	63	87	28	45	ø6.3	1	3	11.5	1.9
TRC-0150	1.5	32	98	73	385	78	102	34	51	ø7.1	1	3	16.0	2.1
TRC-0200	2.0	34	101	79	420	87	113	35	53	ø8.0	1	3	20.0	2.4
TRC-030T	3.0	34	98	73	488	60	148	36	56	ø7.1	2	3	23.0	3.2
TRC-0500	5.0	37	101	79	575	122	209	49	70	ø8.0	3	3	37.5	5.2



0.5t - 2.0t



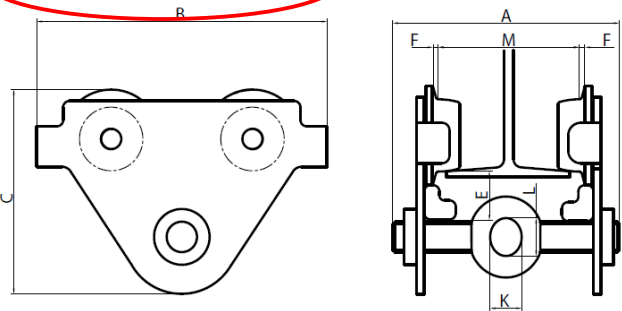
3.0t twin fall



5.0t

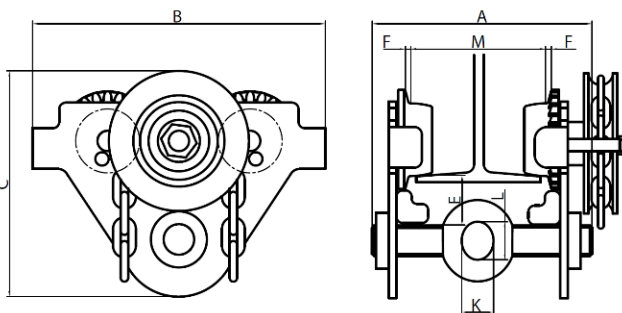
Home of the Tiger hoisting, clamping, winching and height safety ranges

Screw Push Trolley



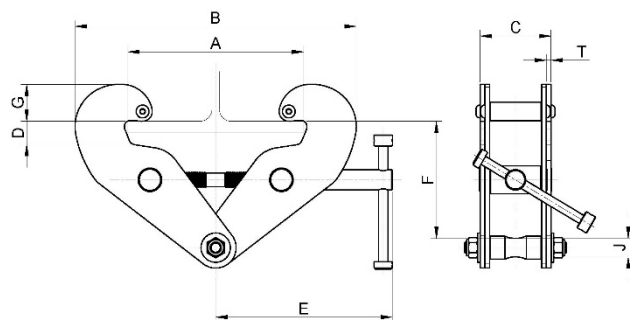
Product Code	Capacity (tonne)	Beam Range M	Dimensions (mm)							Min. curve ratio (m)	Net Weight (kg)
			A	B	C	E	F	K	L		
SPT-0050	0.5	50-220	300	210	190	33	3	25	30	0.9	7.0
SPT-0100	1.0	64-220	300	260	211	31	3	30	35	1.0	10.0
SPT-0200	2.0	88-220	310	310	236	32	3	40	47	1.1	15.5
SPT-0300	3.0	102-220	320	390	295	46	3	48	58	1.3	26.0
SPT-0500	5.0	114-220	330	450	334	47	3	60	70	1.4	38.0

Screw Geared Trolley



Product Code	Capacity (tonne)	Beam Range M	Dimensions (mm)							Min. curve ratio (m)	Net Weight (kg)
			A	B	C	E	F	K	L		
SGT-0050	0.5	50-220	300	210	190	33	3	25	30	0.9	9.0
SGT-0100	1.0	64-220	300	260	211	31	3	30	35	1.0	13.0
SGT-0200	2.0	88-220	310	310	236	32	3	40	47	1.1	20.5
SGT-0300	3.0	102-220	320	390	295	46	3	48	58	1.3	30.0
SGT-0500	5.0	114-220	330	450	334	47	3	60	70	1.4	45.0

Beam Clamp



Product Code	Capacity (tonne)	Dimensions (mm)								Net Weight (kg)
		A	B	C	D	E	F	G	J	
BC-0100	1.0	75-210	182-328	77	26	190	144-117	52-38	20	4.0
BC-0200	2.0	75-210	182-328	85	26	190	144-117	52-38	20	4.5
BC-0300	3.0	75-305	214-460	107	35	240	224-179	58-40	22	8.0
BC-0500	5.0	75-305	214-460	121	35	240	224-175	58-40	28	10.0
BC-1000	10.0	120-350	295-510	182	36	300	222-171	71-54	43	24.5

Due to our policy of continual product development, dimensions, weights and specifications may change without prior notice.