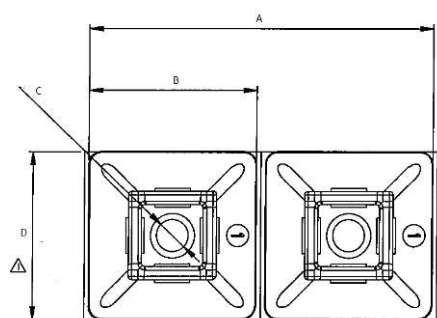


Our high quality self adhesive cable tie bases are available in black and natural and come packed in 100's. To use simply stick a self adhesive base to the relevant surface and thread a cable tie through the slot for an easy fixing solution.

Product Drawing

Colours Available:

- Natural
- Black

C Tie Part No	A	B	C	D	Pack
CB20	39	19	3.6	19	100
CB28	56.5	28	5.8	28	100
CB40	N/A	38.1	6.0	38.1	100

Material Specification:

Material Base: Nylon 6,6

Material Adhesive: Polyethylene Foam

Working Temperature: -20°C to +60°C

Our self adhesive cable tie bases are RoHS compliant, Low Smoke Generating & Zero Halogen

Self Adhesive Cable Tie Bases						
Part Number	Size (Length & Width)	Box Quantity	Pack Quantity	2 Way	Optional Screw Fixing	Screw Hole Size
CB13 (Natural Only)	13 x 13mm	N/A	100	Yes	No	---
CB20(BL)	19 x 19mm	10,000	100	Yes	Yes	3.6mm
CB28(BL)	28 x 28mm	10,000	100	Yes	Yes	5.8mm
CB40(BL)	40 x 40mm	5000	100	Yes	Yes	6.0mm

All Specifications are Subject to change