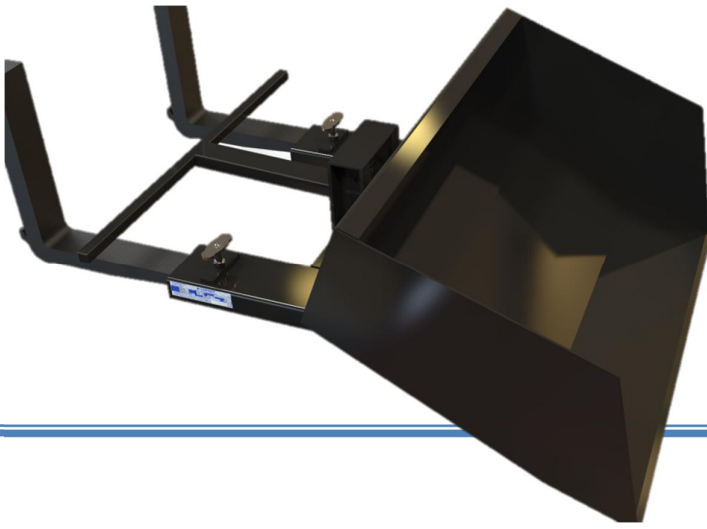


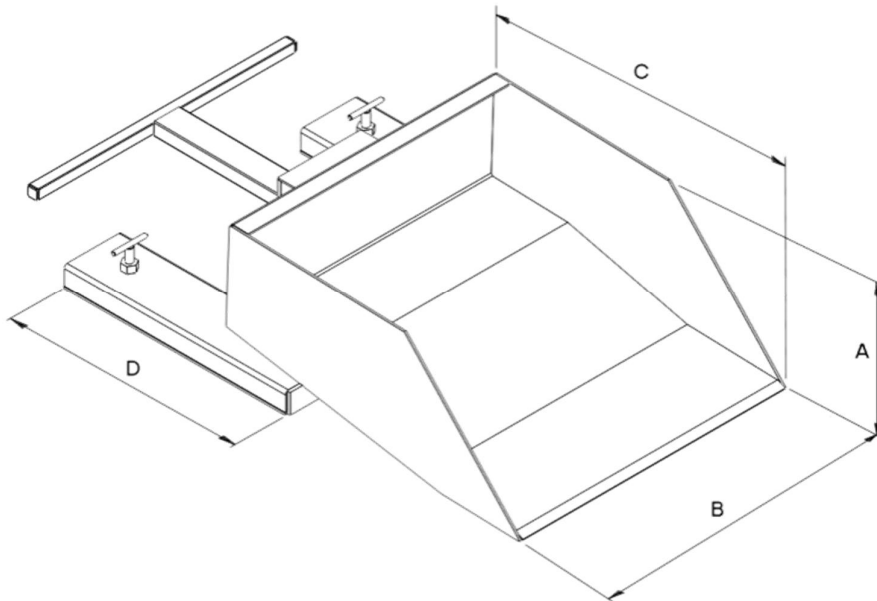
EconoScoop (0.4m³)



To fill the bucket and pick up a load of material, the material should be approached with the bucket at ground level. The truck is driven carefully forward, with the mast as near upright as possible until the bucket fills. The forks can then be raised and the material transported as required. To dump the material, the bucket is positioned directly over the discharge point. Once correctly positioned the operator lifts the release lever and the contents are discharged.

The ideal scoop for emptying/filling sands and aggregates at high levels.

Ideal scoop for high and long reach where exact measurement of contents is not important. Ideal for picking up overspill or dross in a processing area.



A = Bucket Height = 392mm

B = Bucket Width = 1250mm

C = Bucket Length = 905mm

D = Pocket Length = 675mm

Maximum Fork Size 125 x 40 mm

Max Fork Spread 886 mm

